



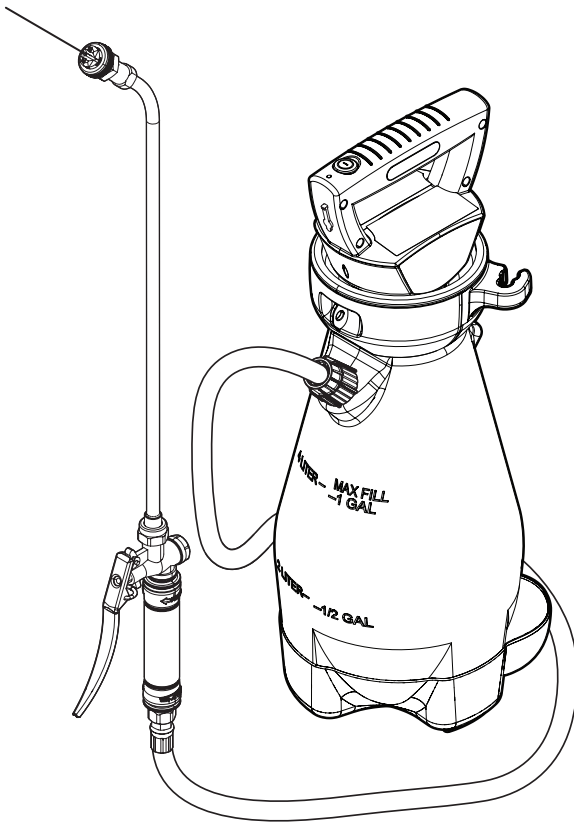
MODEL #: 190728

MANUAL #: 185189-A

12/2021

# INSTRUCTION MANUAL

## XP100P Pest Control Sprayer



Do not return this product to the store.  
For help, information, or parts contact:



**THE  
FOUNTAINHEAD  
GROUP**

Craftsmanship. Innovation. Commitment

[www.thefountainheadgroup.com](http://www.thefountainheadgroup.com)

(800) 311-9903 | [info@thefgi.com](mailto:info@thefgi.com)

23 Garden St. New York Mills, NY, 13417



### **WARNING**

Read and fully understand manual  
before using this product.

Failure to follow instructions could  
result in death or serious injury.

# CONTENTS

IMPORTANT SAFETY INSTRUCTIONS .....	3
<i>Definitions</i> .....	3
CHEMICAL USE SAFETY .....	3
SPRAYER SAFETY .....	3
<i>Additional Safety Information</i> .....	4
INTRODUCTION .....	4
ASSEMBLY .....	4
<i>Assembling the Hose to the Tank</i> .....	4
<i>Assemble Hose, Extension, Shut-Off &amp; Nozzle</i> .....	5
OPERATION .....	5
<i>Charging the Pump Internal Battery</i> .....	6
<i>Filling the Sprayer</i> .....	6
<i>Powering-On and Spraying</i> .....	7
CLEANING .....	7
<i>Cleaning &amp; Storage</i> .....	7
MAINTENANCE .....	8
<i>Nozzle Maintenance</i> .....	8
<i>Shut-off Maintenance (Repair Kit)</i> .....	8
FCC COMPLIANCE .....	9
TROUBLESHOOTING GUIDE .....	10
KITS, PARTS, AND ACCESSORIES .....	12

## IMPORTANT SAFETY INSTRUCTIONS

### Definitions

- ▲ **DANGER:** Indicates a hazardous situation that, if not avoided, will result in death or serious injury.
- ▲ **WARNING:** Indicates a hazardous situation that, if not avoided, could result in death or serious injury.
- ▲ **CAUTION:** Indicates a hazardous situation that, if not avoided, could result in minor or moderate injury.
- NOTICE:** Indicates information considered important, but not hazard-related (e.g. messages relating to property damage).
- ▲ **WARNING: WHEN USING ELECTRICAL SPRAYERS, BASIC PRECAUTIONS SHOULD BE FOLLOWED, INCLUDING THE FOLLOWING:**
  - Read all the instructions before using the sprayer.
  - To reduce the risk of injury, close supervision is necessary when an appliance is used near children.
  - Only use attachments recommended or sold by the manufacturer.
  - For reachable sprayers, Use only the charger supplied by the manufacturer to recharge.

### CHEMICAL USE SAFETY

- ▲ **DANGER: RISK OF DEATH, SEVERE PERSONAL INJURY, AND/OR PROPERTY DAMAGE FROM IMPROPER CHEMICAL USE OR MIXTURE.**
  - Never use flammable or combustible chemicals in this sprayer. Spraying flammable or combustible chemicals can create combustible fumes that could be ignited, causing an explosion.
  - Use only chemicals indicated for spraying applications. Some chemicals may create a toxic or other hazardous atmosphere when sprayed.
  - Always refer to chemical manufacturer's instructions and/or the chemical Safety Data Sheet (SDS) for proper mixture and safe application.

### SPRAYER SAFETY

- ▲ **WARNING: RISK OF PERSONAL INJURY AND/OR PROPERTY DAMAGE DUE TO CHEMICAL EXPOSURE.**

- ▲ **WARNING: DO NOT EXPOSE TO RAIN, STORE INDOORS.**

- Read and understand the entire instruction manual before using this sprayer.
- Follow all instructions and precautions in the instruction manual when using this sprayer.
- Read and follow all instructions and precautions on chemical manufacturer's label of chemicals used in this sprayer.

- Use the appropriate Personal Protective Equipment (PPE) as recommended by the chemical manufacturer and/or refer to the chemical Safety Data Sheet (SDS) of the chemical being used. This includes at least goggles, gloves, and protective clothing. Failure to use appropriate PPE could result in chemical exposure through skin contact, eye contact, inhalation, or other means.
- After initial assembly, extended storage, or any possibly damaging event, such as a fall, always inspect the sprayer for damage, and test it with plain water to check for proper function. Ensure all connections are secure and leak free, and the hose is free from damage, prior to using the sprayer with chemical.
- Always inspect the hose and all connections before each use. A damaged hose or loose connections could result in an uncontrolled high-pressure discharge of chemical.
- Do not spray near open flame, hot surfaces, or anything that could vaporize the spray. Doing so could create a dangerous chemical atmosphere.
- Never use caustics, bleach, acids, hot water, or pressure-producing chemicals in this sprayer.
- Keep the sprayer and all chemicals out of the reach of children and pets.
- Only spray when the air is calm (no wind or air movement) to prevent chemical spray from drifting onto non-targeted surfaces.
- Always release pressure when the sprayer is not in use and before performing any maintenance or cleaning.
- Never store chemicals in the sprayer.
- Store or dispose of any unused chemicals as instructed by the chemical manufacturer due to the potential for environmental damage from a spill or leak, and/or refer to the disposal criteria referenced in the SDS.
- Clean and rinse the sprayer after each use to avoid unintended chemical exposure and prevent contamination of subsequent applications.
- Store the sprayer in a warm, dry, dust-free location out of direct sunlight.
- ▲ **WARNING: RISK OF PERSONAL INJURY AND/OR PROPERTY DAMAGE DUE TO RUPTURE AND/OR UNCONTROLLED HIGH-PRESSURE DISCHARGE OF LIQUID CHEMICAL.**
  - Never modify or alter the sprayer from original condition. Never heat or alter the hose, hose nut, or barb. Doing so could weaken the components and/or connections.
  - Use only replacement parts from original manufacturer. Other replacement parts are not compatible with this sprayer.

## ENGLISH

- Never pressurize the sprayer with any device other than the pump supplied by the original manufacturer. Use of an air compressor or other non-standard device to pressurize the system could exceed the safe working pressure of the sprayer.
- Do not lift, carry, or pull the sprayer by the hose, shut-off, or wand extension. Doing so could weaken the components and/or connections. Carry by the handle or harness only, making sure the connections are properly secured before lifting.
- To reduce the risk of electrical shock, do not put the sprayer in water or other liquid. Do not place or store the sprayer where it can fall or be pulled into a tub or sink.

### Additional Safety Information

- ▲ **WARNING:** Never modify the sprayer or any part of it. Damage or personal injury could occur.

# SAVE THESE INSTRUCTIONS FOR FUTURE USE

## INTRODUCTION

This is an electric-powered compressed-air style tank sprayer that is designed to spray liquid chemicals typically used for pest control.

This Sprayer uses an internal rechargeable Lithium-Ion Battery to power an electric air compressor Pump. The PumpZero Electric Pump is designed to provide a more convenient and more consistent alternative to standard manual pumps. It operates by pressurizing the air above the fluid in the Tank, which causes the fluid to be pushed through the Hose, to the Nozzle, and sprayed out. Because the PumpZero Electric Pump operates by pressurizing air in the Tank, it is important that a good air seal is achieved when the Pump is tightened into the Tank.

While actively spraying it is normal for the Pump to turn on and off by itself periodically; it is not expected to run continuously. The Pump will pressurize the air inside the Tank, then turn off and let the air pressure do the work of spraying out the fluid. As the fluid is sprayed out, the air pressure inside the Tank will decrease, eventually causing the Pump to turn on again. Having the Pump turn on and off in this manner allows for longer Battery life and greater Pump longevity, compared to a continuously running Pump.

The PumpZero Electric Pump contains an internal Lithium-Ion Battery. The shipment of Lithium-Ion Batteries is subject to international shipping regulations. Accordingly, the Battery must be in a reduced-charge state for shipping, so the Pump must be charged prior to initial use. As with all products containing Lithium-Ion Batteries, consult your local

shipping agent for instructions prior to shipping the Pump.

The PumpZero Electric Pump is equipped with an auto-off feature that turns the Pump off after 2 hours of inactivity. This is to prevent the Battery from being drained if the Pump is left on when the Sprayer is not in use.

## ASSEMBLY

- ▲ **WARNING:** RISK OF PERSONAL INJURY AND/OR PROPERTY DAMAGE DUE TO CHEMICAL EXPOSURE. After initial assembly, always inspect the sprayer for damage, and test it with plain water to check for proper function. Ensure all connections are secure and leak free, and the hose is free from damage, prior to using the sprayer with chemicals.

- ▲ **WARNING:** Only use attachments recommended or sold by the manufacturer.

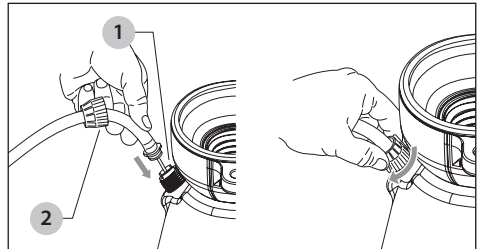
- ▲ **WARNING:** For Household Use Only.

### Assembling the Hose to the Tank

**NOTICE:** Do not attempt to heat or alter hose, hose nut, or barb prior to assembly.

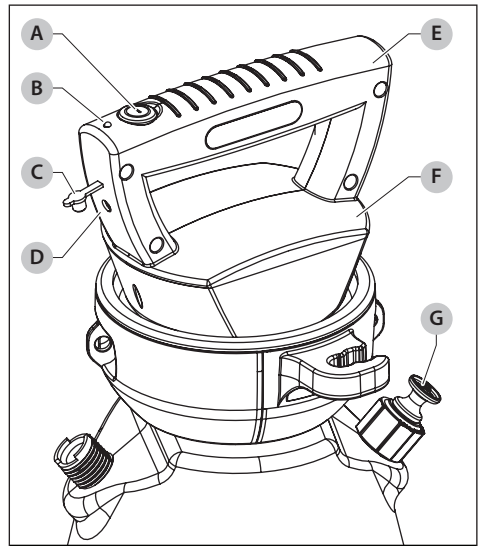
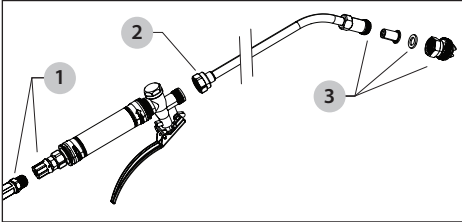
1. Align Hose Barb tabs, push Hose Barb (1) into Tank until it stops.
1. Slide Hose Nut (2) into place and turn clockwise to tighten

**NOTE:** Do not use tools to tighten Hose Nut.



### Assemble Hose, Extension, Shut-Off & Nozzle

1. Attach hose to Shut-Off and tighten securely using a 9/16" Wrench, use a 3/4" Wrench to hold the Shut-Off handle while tightening the hose.
2. Install the extension onto the Shut-Off assembly and tighten the nut securely using a 13/16" wrench.
3. Install selected nozzle into the extension nut and tighten nut securely using a 13/16" wrench. Insert check valve if required as shown.

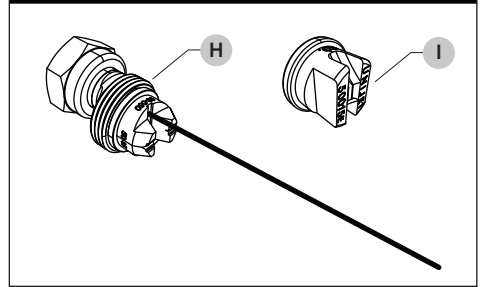


### OPERATION

**▲ WARNING: RISK OF PERSONAL INJURY DUE TO CHEMICAL EXPOSURE.** Use the appropriate Personal Protective Equipment (PPE) as recommended by the chemical manufacturer and/or refer to the chemical Safety Data Sheet (SDS) of the chemical being used. This includes at least goggles, gloves, and protective clothing.

**▲ WARNING:** To reduce the risk of serious personal injury, turn unit OFF before making any adjustments or removing/ installing attachments or accessories. An accidental start-up can cause injury.

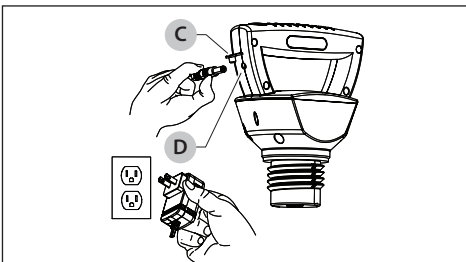
**NOTICE:** The battery is not fully charged out of the carton. Before using read the safety instructions below and then follow the charging procedures outlined.



- |                       |                                   |
|-----------------------|-----------------------------------|
| A Power Button        | F Pump Zero Pump                  |
| B Light               | G Ressure Release Valve           |
| C Charging Port Cover | H Nozzle, 4 Way, Brass, SPS       |
| D Charging Port       | I Unijet Tip SS, Nozzle 50015E-SS |
| E Handle              |                                   |

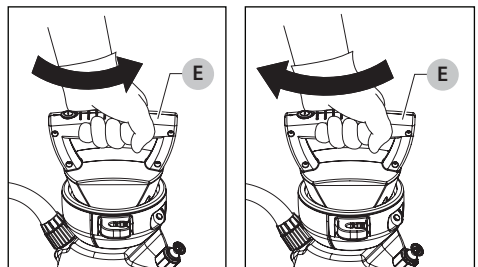
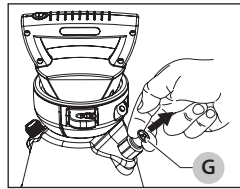
## Charging the Pump Internal Battery

- In a dry, clean location insert the Charger Plug into a standard electrical wall outlet. On the end of the Pump handle (E), remove the rubber Cover (C) to expose the Charging Port (D). Plug the Charger Cable into the Charging Port on the Pump. The Light (B) on the top of the Pump should start flashing green.
  - The Pump cannot be operated while charging. The Pump must be disconnected from the Charger to permit further use.
  - If the Light on the Pump flashes red, the Battery is too hot to be safely charged. This can happen when the Battery is used heavily in very hot weather or if the Battery is stored in a very hot location (such as in an enclosed vehicle or storage unit during very hot weather). If this happens the Battery must be allowed to cool before it can be charged.
  - If the Light on the Pump flashes red and green alternately, this means the Battery has been damaged and cannot be charged within the safe charging time limit. The internal Battery cannot be serviced, so the Pump must be replaced.
- Ensure the Pump and Charger are placed where they will not be exposed to liquids, falls or other sources of damage for the duration of the charging period.
- When charging is complete the Light will remain green and stay on constantly. Charging time will vary depending on Battery condition at the start of charging. Charging time should not exceed 3 hours.
- Remove the Charger Cable from the Pump once charging is complete. Pumps should not be connected to the Charger during long periods of storage. To ensure optimal Battery life the Pump should be charged at least once every 3 months when not in use.
- Reinsert the rubber Cover into the Charging Port to protect it.
- Unplug the Charger from the electrical wall outlet when not in use.



## Filling the Sprayer

- ▲ **DANGER: RISK OF DEATH, PERSONAL INJURY AND/OR PROPERTY DAMAGE FROM IMPROPER CHEMICAL USE OR MIXTURE.** Never use flammable or combustible liquids, caustics, acids, or hot water in this Sprayer. Spraying flammable or combustible liquids can create combustible fumes that could be ignited by the electrical system in the Sprayer, causing an explosion. Always refer to chemical manufacturer instructions for proper mixture. Always wear appropriate personal protection equipment as instructed by chemical manufacturer when using, preparing, handling, spraying, or disposing of chemicals. This includes at least goggles, gloves, and protective clothing.
  - ▲ **WARNING:** Inspect the sprayer, hose, shut-off, wand, and all connections for damage before each use. A damaged or loose hose connection can result in unintended exposure to the pressurized chemicals, resulting in serious injury or property damage.
  - ▲ **WARNING: RISK OF DAMAGE TO INTERNAL COMPONENTS.** Use of chemicals other than water based or water soluble solutions may damage the Sprayer and will void the warranty.
- Ensure that the Pump is turned OFF (Light is OFF).
  - Pull up on the knob of the Pressure Release Valve (G) until all the pressure is released from the tank.
  - Turn the Pump handle (E) counterclockwise to remove the pump.
  - Fill the Tank to the desired level. See volume gradation markings on side of Tank. (Always refer to chemical manufacturer for proper mixture).
  - Install the Pump into the Tank opening and turn clockwise until tightly sealed against the Tank.

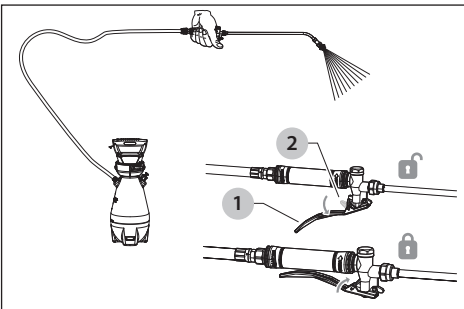


## Powering-On and Spraying

**▲ WARNING: RISK OF UNINTENDED SPRAYING AND CHEMICAL EXPOSURE.** Ensure that the Shut-off is in the closed position (Lever released) before pressing the Power Button. The Sprayer will spray if the Shut-off is open (Lever depressed) when the power is turned ON.

**NOTICE: RISK OF PROPERTY DAMAGE.** Do not attempt to heat or alter hose, hose nut, or barb prior to assembly. Only spray when the air is calm (no wind or air movement) to prevent chemical spray from drifting into unintended areas.

1. The PumpZero Pump must be charged for the Sprayer to operate. See Charging the Pump Internal Battery.
2. Press the Power Button to turn on the Pump and begin pressurizing the Tank.
  - a. The Light on the top should turn green and an audible hum should be heard, indicating the Pump is running and is pressurizing the Tank.
  - b. The Pump will turn off once the Tank is pressurized, which may take 30 seconds to several minutes depending on the size of the Tank and the amount of fluid in it.
  - c. It is permissible to start spraying before the Tank is fully pressurized, but in order to avoid a sub-optimal spray pattern it is recommended to wait at least 20 seconds to allow some pressure to build in the Tank.
3. Aim the Wand in the desired direction of spraying and depress the Shut-off Lever (1).
4. For continuous spraying, depress the Lever and rotate the Lock (2) to hold the Lever in the depressed position.
5. Unlock, if needed, and release the Shut-off Lever to stop spraying.
6. To turn off the Sprayer press the Power Button (A). The Light will turn OFF.
7. Note that the Tank is still pressurized even though the Pump has been turned OFF.
8. Always remove any chemical and clean the Sprayer when finished using. See Cleaning & Storage.



## CLEANING

### Cleaning & Storage

- ▲ WARNING:** Always release pressure from the sprayer prior to cleaning. Disassembly of a sprayer that is still pressurized may result in the high-speed ejection of components.
- ▲ WARNING: RISK OF PERSONAL INJURY DUE TO CHEMICAL EXPOSURE.** Always wear appropriate personal protection equipment as instructed by chemical manufacturer when using, preparing, handling, spraying, or disposing of chemicals. This includes at least goggles, gloves, and protective clothing.
- ▲ WARNING: RISK OF DAMAGE TO INTERNAL COMPONENTS.** Failure to properly rinse out the Sprayer may allow chemical residue build-up that can clog or damage the Filters, Pump, Shut-off, Wand, and Nozzle. Chemical residue build-up can also contaminate subsequent applications. Leaving chemical liquids in the Sprayer when not in use can lead to premature Sprayer wear. Never store Sprayer with chemical in any part of the Sprayer.

1. Turn off the Pump by pressing the Power Button. The light on the top of the Pump should turn off.
15. Operate the Pressure Release Valve on the side of the Tank by gently pulling it outward until the air inside the Tank stops flowing out.
16. Remove the Pump from the Tank by turning it counterclockwise. Avoid placing the Pump down where it may become contaminated with dirt, grass clippings, or debris that could later enter the Tank.
17. Empty any extra chemical from the Tank into a suitable container for later use or disposal according to chemical manufacturer's instructions.
18. Use clean water to thoroughly rinse and empty the Tank until all chemical and residues are removed.
19. Use a wet cloth to wipe the bottom of the Pump until all chemical and residues are removed. Do not rinse the Pump with a hose or submerge in water, as water will enter the Housing, damaging the electrical components, rendering the Pump non-functional, and voiding the warranty.
20. Add approximately 1 quart [1 liter] of clean water to the Tank.
21. Attach the Pump to the Tank and tighten firmly.
22. Press the Power Button so the Pump will pressurize the Tank.

## ENGLISH

23. With clean water in the clean Tank, spray water through the Hose, Shutoff, Wand, and Nozzle for at least 30 seconds to rinse them out. Failure to rinse out the Hose, Shutoff, Wand, and Nozzle may allow chemical residue build-up that can clog or damage the components. After heavy use rinsing the Nozzle may not be enough to remove residue. The Nozzle may need to be cleaned with a small brush.
24. Press the Power Button to turn off the Pump.
25. Operate the Pressure Release Valve on the side of the Tank to release pressure.
26. Remove the Pump. Avoid placing the Pump down where it may become contaminated with dirt, grass clippings, or debris that could later enter the Tank.
27. Open the Shut-off (depress Lever) to drain any remaining water from the Hose, Shut-off, and Wand.
28. Empty out any remaining water from the Tank.
29. Allow the Sprayer to dry. This is best done by hanging the Tank upside down to let it drain.
30. Once the Sprayer is dried turn the Sprayer upright and loosely assemble the Pump to the Tank to prevent debris from entering the Tank.
31. Store the Sprayer, Pump, and Charger indoors in a warm, dry location out of direct sunlight and away from any sources of moisture or intense heat. Do not store Sprayer where freezing temperatures (below 32°F/0°C) will occur. Allowing water to freeze inside the Sprayer may damage the Pump, Seals, Shutoff, or other components, and void the Sprayer warranty.
32. To ensure optimal Battery life the Battery should be charged at least once every 3 months when not in use. See Charging the Pump Internal Battery.

## MAINTENANCE

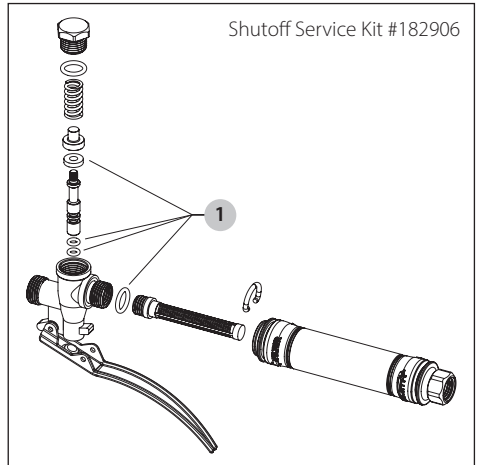
**▲ WARNING:** Prior to performing maintenance always depressurize Sprayer by pressing the Power Button to turn power OFF and then operating the Pressure Release Valve until all air pressure in the Tank has been released.

### Nozzle Maintenance

1. If nozzle clogs, remove and disassemble the nozzle assembly.
2. Clean the openings of any obstructions and reassemble.
3. The brass nozzles should be cleaned with toothbrush and a detergent. Don't use a metal brush or sharp objects on the nozzle. For tough clogs soak brass nozzle in xylene and clean with a brush.

### Shut-off Maintenance (Repair Kit)

- ▲ WARNING:** Always depressurize sprayer before maintenance by activating shut-off and spraying contents out.
1. Unscrew the handle from the shut-off assembly.
  2. Unscrew valve cap and remove valve stem components and seals as shown. Clean components with cool clean water.
  3. Clean any debris from inside the handle and shut-off body. Check for any wear of O-rings or seals (1) and replace as necessary.
  4. Reassemble the components as shown and tighten the handle and valve cap securely.





## FCC COMPLIANCE

This device complies with part 15 of the FCC Rules. Operation is subject to the following two conditions: (1) This device may not cause harmful interference, and (2) this device must accept any interference received, including interference that may cause undesired operation.

Note: This equipment has been tested and found to comply with the limits for a Class B digital device, pursuant to part 15 of the FCC Rules. These limits are designed to provide reasonable protection against harmful interference in a residential installation. This equipment generates, uses and can radiate radio frequency energy and, if not installed and used in accordance with the instructions, may cause harmful interference to radio communications. However, there is no guarantee that interference will not occur in a particular installation. If this equipment does cause harmful interference to radio or television reception, which can be determined by turning the equipment off and on, the user is encouraged to try to correct the interference by one or more of the following measures:

- Reorient or relocate the receiving antenna.
- Increase the separation between the equipment and receiver.
- Connect the equipment into an outlet on a circuit different from that to which the receiver is connected.
- Consult the dealer or an experienced radio/TV technician for help.

### Canada IC:

CAN ICES-3 (B)/NMB-3(B)

## Manufactured by:

*The Fountainhead Group, Inc.*  
23 Garden Street  
New York Mills, NY 13417 U.S.A.

Fax: (315) 768-4220

Email: [Info@TheFGI.com](mailto:Info@TheFGI.com)

[www.TheFountainheadGroup.com](http://www.TheFountainheadGroup.com)

## Frequently Asked Questions

See <https://www.thefountainheadgroup.com/> for specific product FAQ's.

## Patent Numbers

See <https://www.thefountainheadgroup.com/> for specific product patent numbers.

## Replacement parts

See <https://www.thefountainheadgroup.com/> for specific product replacement parts.

## Warranty

See <https://www.thefountainheadgroup.com/> for specific product warranty.

## TROUBLESHOOTING GUIDE

### BE SURE TO FOLLOW SAFETY RULES AND INSTRUCTIONS

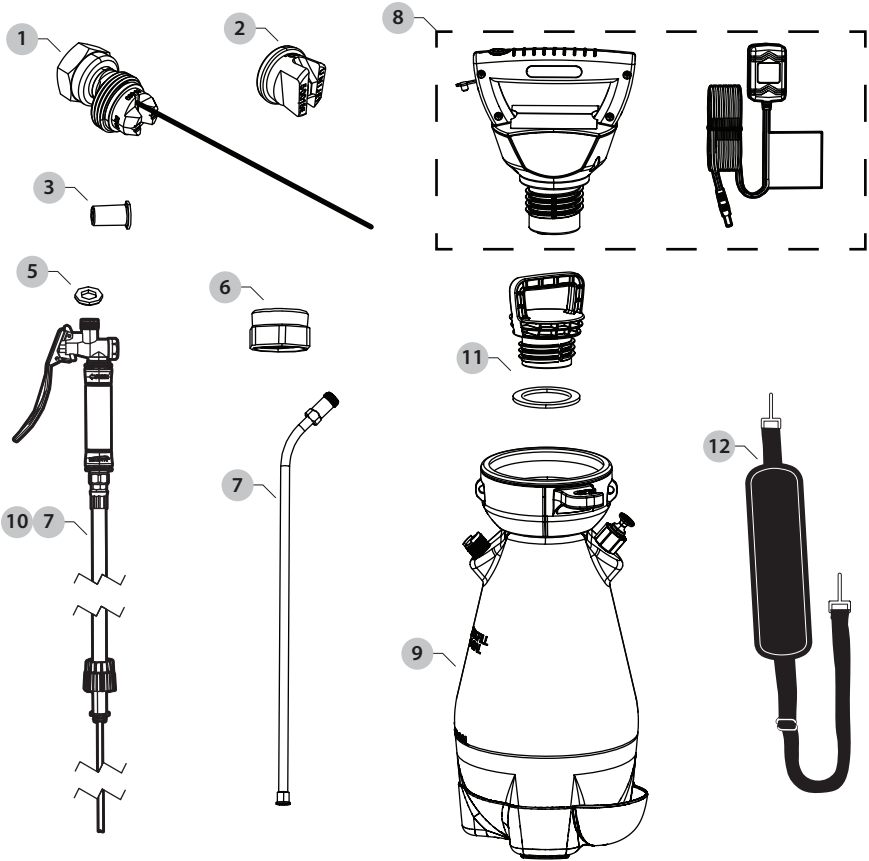
For assistance with your product, visit our website at [www.thefountainheadgroup.com](http://www.thefountainheadgroup.com) or call 1-800-311-9903.

PROBLEM	POSSIBLE CAUSE	SOLUTION
Sprayer will not turn on when Power Button is pressed (no audible hum of the pump.)	Battery not charged. Light does not turn ON.	Charge Pump if no light is ON. See Charging the Pump Internal Battery.
	Pump is damaged, over heated, or non-functional. Visually inspect the Pump for damage. Use the Charger to diagnose any Battery problem. See Charging the Pump Internal Battery.	Replace Pump if damaged or non-functional. Allow Battery to cool if overheated.
Sprayer turns on (audible hum of pump heard) but will not spray.	Tank is already pressurized so the Pump has turned off auto-matically.	Open the Shut-off (depress Lever) to see if the Sprayer starts spraying.
	Pump is connected to Charger.	Disconnect Charger.
	No liquid in Tank.	Add liquid to Tank. See Filling the Sprayer.
	Shut-off clogged.	Clean Shut-off. See Shut-off Maintenance.
Sprayer turns on but only sprays at low pressure.	Nozzle clogged.	Clean Nozzle. See Nozzle Maintenance.
	Pump is not tightened to Tank, leaks at Seal.	Tighten Pump to Tank.
	Tank not yet pressurized.	Allow time for Pump to pressurize Tank (at least to 20 seconds).
	Air leaking from Tank at Seal.	Tighten Pump to Tank.
	Tank Seal or Seal surfaces are damaged.	Replace Tank Seal.
Hose Leaks at Tank connection.	Shut-off clogged.	Clean Shut-off. See Shut-off Maintenance
	Nozzle clogged.	Clean Nozzle. See Nozzle Maintenance..
Hose Leaks at Shut-off.	Cracked, swollen or faulty Hose.	Replace Shut-off Assembly.
	Damaged connection.	Replace Shut-off Assembly.
Nozzle drips when Shut-off Lever is released.	Cracked, swollen or faulty Hose.	Replace Shut-off Assembly.
	Damaged connection.	Replace Shut-off Assembly.
Nozzle Tip leaks.	Dirt or debris in Shut-off.	Clean Shut-off Assembly.
	Damaged O-Ring or Seal in Shut-off.	Replace Shut-off Assembly.
Poor Spray Pattern	Flat Seal missing.	Install Flat Seal behind Nozzle Tip. See Assemble Wand, Shut-off and Nozzle
	Flat Seal damaged.	Replace Flat Seal.
	Tank is not pressurized.	Turn on Pump.
	Nozzle partially clogged.	Clean Nozzle. See Nozzle Maintenance.
	Nozzle damaged.	Replace Nozzle.
	Shut-off clogged.	Clean Shut-off. See Shut-off Maintenance.

PROBLEM	POSSIBLE CAUSE	SOLUTION
Battery Will Not Charge	Charger not plugged into outlet.	Plug Charger into outlet.
	No lights illuminated on Pump. Charger plugged into outlet.	Check that outlet is functioning.
	No lights illuminated on Pump. Charger plugged into outlet, outlet functioning.	Replace Charger.
	Red light continues flashing on Pump (Battery temperature too high for safe charging).	Allow Pump to cool.
	Red and Green lights flash alternately on Pump (Battery cannot be charged).	Replace Pump.

# KITS, PARTS, AND ACCESSORIES

Key #	Part #	Description
1	182379	Nozzle, 4 Way, Brass, SPS
2	185158	Unijet Tip SS, Nozzle 50015E-SS
3	176332	TEEJET -5 check valve, black 5 psi,11750
4	183293	Extension Assy, 18", Brass
5	182641	Seal, Viton, Extension, S/S ( 2 each required)
6	183296	Nut, Brass Extension
7	184741	Hose Assy, NPT & Tank Barb, Nylon & Rubber, 0.313ID x 50L, Black
8	184175	Pump & Charger Kit, US, PZ
9	185225	Tank Assy, 1 Gal R, with Viton PRV (Natural/White)
10	183300	Shutoff Assy, Brass, S103E, SPS
11	184242	Plug & Gasket Assy, Red
12	184536	Strap, Carry, Padded, Pro, 64", C/A





**THE  
FOUNTAINHEAD  
GROUP**

Craftsmanship, Innovation, Commitment

*[www.thefountainheadgroup.com](http://www.thefountainheadgroup.com)*



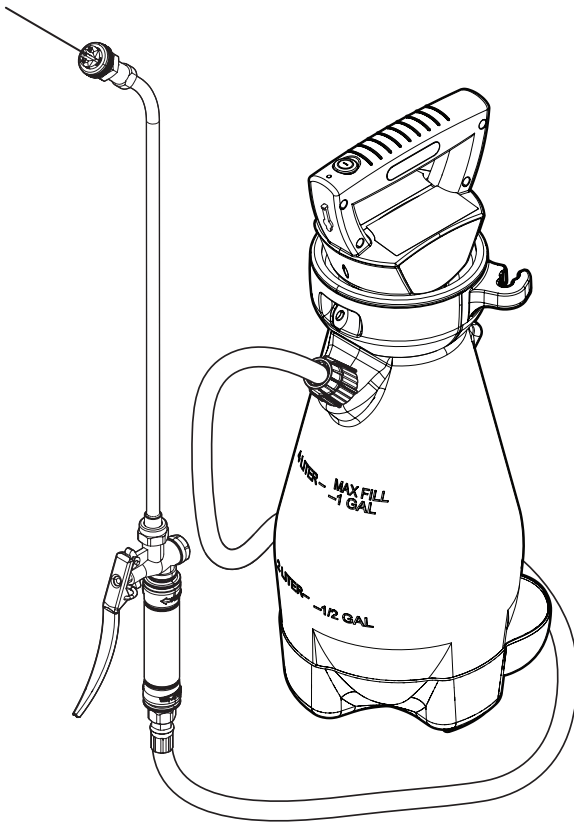
MODEL #: 190728

MANUEL #: 185189-A

12/2021

## MANUEL D'INSTRUCTIONS

Pulvérisateur pour contrôle antiparasitaire XP100P



### ⚠ AVERTISSEMENT

Read and fully understand manual before using this product.

Failure to follow instructions could result in death or serious injury.

Ne pas retourner ce pulvérisateur au magasin  
Si vous avez besoin d'aide, de renseignements ou  
de pièces, appelez au



Craftsmanship. Innovation. Commitment

[www.thefountainheadgroup.com](http://www.thefountainheadgroup.com)

(800) 311-9903 | [info@thefgi.com](mailto:info@thefgi.com)

23 Garden St. New York Mills, NY, 13417

# CONTENU

CONSIGNES DE SÉCURITÉ IMPORTANTES .....	17
<i>Définitions</i> .....	17
SÉCURITÉ RELATIVE AUX SUBSTANCES CHIMIQUES.....	17
UTILISATION SÉCURITAIRE DU PULVÉRISATEUR.....	17
<i>Renseignements sur le pulvérisateur</i> .....	18
INTRODUCTION .....	18
ASSEMBLAGE .....	18
<i>Assembler le Boyau au Réservoir</i> .....	18
<i>Assembler le boyau, la rallonge, le dispositif d'arrêt et la buse</i> .....	19
FONCTIONNEMENT.....	19
<i>Chargement de la pile interne de la pompe</i> .....	20
<i>Remplir le pulvérisateur</i> .....	20
<i>Alimentation et pulvérisateur</i> .....	21
NETTOYAGE.....	21
<i>Nettoyage et entreposage</i> .....	21
ENTRETIEN.....	22
<i>Entretien de la buse</i> .....	22
<i>Entretien du dispositif d'arrêt (trousse de réparation)</i> .....	22
CONFORMITÉ FCC .....	23
GUIDE DE DÉPANNAGE .....	24
TROUSSES, PIÈCES ET ACCESSOIRES.....	26

## CONSIGNES DE SÉCURITÉ IMPORTANTES

### Définitions

▲ **DANGER** : Indique une situation dangereuse qui, si elle n'est pas évitée, causera la mort ou des blessures graves.

▲ **AVERTISSEMENT** : Indique une situation potentiellement dangereuse qui entraînera la mort ou des blessures graves si elle n'est pas évitée.

▲ **ATTENTION** : Indique une situation potentiellement dangereuse qui entraînera la mort ou des blessures graves si elle n'est pas évitée.

**AVIS** : Indique des renseignements importants à prendre en considération, sans rapport avec un danger (p. ex. messages liés à des dégâts matériels).

▲ **AVERTISSEMENT** : TOUJOURS PRENDRE DES PRÉCAUTIONS DE BASE LORS DE L'UTILISATION DE PULVÉRISATEURS ÉLECTRIQUES, NOTAMMENT :

- Lire toute les instructions avant d'utiliser le pulvérisateur.
- Pour réduire le risque de blessure, une étroite surveillance est nécessaire lorsque l'appareil est utilisé à proximité d'enfants.
- N'utiliser que les accessoires recommandés ou vendus par le fabricant.
- Pour les pulvérisateurs rechargeables, n'utiliser que le chargeur fourni par le fabricant pour recharger.

### SÉCURITÉ RELATIVE AUX SUBSTANCES CHIMIQUES

▲ **DANGER** : RISQUE DE DÉCÈS, DE BLESSURES PERSONNELLES GRAVES ET DE DOMMAGES MATÉRIELS DÉCOULANT DE L'UTILISATION D'UNE SUBSTANCE CHIMIQUE OU D'UN MÉLANGE INAPPROPRIÉ.

- Ne jamais utiliser des substances inflammables ou combustibles chimiques dans ce pulvérisateur. Pulvériser des substances chimiques combustibles ou inflammables peut créer des vapeurs combustibles qui pourraient s'enflammer et créer une explosion.
- Utiliser seulement des substances chimiques conçues pour la pulvérisation. Certaines substances chimiques peuvent créer une atmosphère toxique ou d'autres atmosphères dangereuses lorsqu'elles sont pulvérisées.
- Pour un mélange approprié et une application sécuritaire, toujours respecter les directives du fabricant concernant les substances chimiques et la fiche signalétique relative aux substances chimiques.

### UTILISATION SÉCURITAIRE DU PULVÉRISATEUR

▲ **AVERTISSEMENT** : RISQUE DE BLESSURES PERSONNELLES ET DE DOMMAGES MATÉRIELS DÉCOULANT D'UNE EXPOSITION À UNE SUBSTANCE CHIMIQUE.

▲ **AVERTISSEMENT** : NE PAS EXPOSER À LA PLUIE, ENTREPOSER À L'INTÉRIEUR

- Lire et comprendre tout le manuel d'instructions avant d'utiliser ce pulvérisateur.

• Suivre toutes les directives et les précautions de ce manuel d'instructions lors de l'utilisation de ce pulvérisateur.

• Lire et suivre toutes les instructions et précautions sur l'étiquette du fabricant des substances chimiques qui seront utilisées dans ce pulvérisateur.

• Utiliser l'équipement de protection individuelle (EPI) approprié comme recommandé par le fabricant de la substance chimique ou consulter la fiche signalétique de la substance chimique utilisée. L'EPI comprend au moins des lunettes de sécurité, des gants et des vêtements de protection. Ne pas utiliser l'EPI approprié pourrait entraîner une exposition à la substance chimique par contact avec la peau, avec les yeux, l'inhalation ou autres.

• Après l'assemblage initial, le rangement à long terme ou tout autre événement possiblement dommageable comme une chute, inspecter toujours le pulvérisateur pour y détecter tout dommage et effectuer un test avec de l'eau pure afin de vérifier qu'il fonctionne normalement. Avant d'utiliser le pulvérisateur avec une substance chimique, s'assurer que toutes les connexions sont bien serrées et qu'il n'y a pas de fuite, également que le flexible n'est pas endommagé.

• Toujours inspecter le flexible et toutes ses connexions avant chaque utilisation. Un flexible endommagé ou qui n'est pas bien fixé pourrait entraîner une décharge à pression élevée non contrôlée de la substance chimique.

• Ne pas pulvériser près d'une flamme nue, une surface chaude ou toute autre chose qui pourrait créer une vapeur avec la substance pulvérisée. Cela pourrait créer une atmosphère chimique dangereuse.

• Ne jamais utiliser d'agent caustique, eau de javel, acides, eau chaude ou de substances chimiques produisant de la pression dans ce pulvérisateur.

• Garder le pulvérisateur et toute substance chimique hors de la portée des enfants ou des animaux de compagnie.

• N'utiliser le pulvérisateur que par temps calme (aucun vent ou mouvement de l'air) afin d'empêcher la substance chimique pulvérisée d'atterrir sur des surfaces non ciblées.

• Toujours relâcher la pression lorsque le pulvérisateur n'est pas utilisé et avant d'enlever la pompe du réservoir.

• Ne jamais entreposer des substances chimiques dans le pulvérisateur.

• Entreposer ou éliminer les substances chimiques non utilisées selon les directives du fabricant de la substance chimique en raison des dommages possibles à l'environnement s'il advenait un déversement ou une fuite, ou consulter les critères de mise au rebut indiqués sur la fiche signalétique.

• Nettoyer et rincer le pulvérisateur après chaque utilisation pour éviter une exposition non prévue à une substance chimique et éviter la contamination lors d'applications suivantes.

• Entreposer le pulvérisateur dans un endroit chaud, sec et sans poussière, à l'écart de la lumière directe du soleil.



**▲ AVERTISSEMENT : RISQUE DE BLESSURE PERSONNELLE ET DE DOMMAGES MATÉRIELS DÉCOULANT D'UN BRIS OU D'UNE DÉCHARGE DE LIQUIDES CHIMIQUES À PRESSION ÉLEVÉE INCONTRÔLÉE.**

- Ne jamais modifier le pulvérisateur par rapport à sa condition d'origine. Ne jamais chauffer ou modifier le flexible, l'écrou du flexible ou la barbelure. Ne pas respecter cette consigne pourrait entraîner l'affaiblissement des composants et/ou des connexions.
- Utiliser seulement les pièces de rechange du fabricant. Les autres pièces de rechange ne sont pas compatibles avec ce pulvérisateur.
- Ne jamais pressuriser le pulvérisateur avec un autre dispositif que la pompe fournie par le fabricant d'origine. L'utilisation d'un compresseur à air ou autre dispositif non standard pour pressuriser le réservoir pourrait dépasser la pression sécuritaire de fonctionnement du pulvérisateur.
- Ne pas soulever, transporter ou tirer le pulvérisateur par le flexible, le robinet d'arrêt ou l'extension de la lance. Ne pas respecter cette consigne pourrait entraîner l'affaiblissement des composants et/ou des connexions. Transporter seulement par la poignée ou le harnais en s'assurant que les connexions sont solidement fixées avant de le soulever.
- Afin de réduire les risques de décharges électriques, ne pas mettre l'appareil dans l'eau ou autre liquide. Ne pas mettre ni ranger l'appareil à un endroit où il peut tomber ou être entraîné dans une baignoire ou un évier.

## Renseignements sur le pulvérisateur

- ▲ AVERTISSEMENT :** Ne jamais modifier le pulvérisateur ou une de ses pièces. Il pourrait en découler des dommages ou des blessures personnelles.

# CONSERVER CES CONSIGNES POUR UTILISATION ULTÉRIEURE

## INTRODUCTION

Ce pulvérisateur à air comprimé alimenté par pile est conçu pour pulvériser des solutions hydrosolubles, tel des herbicides, pesticides et autres produits chimiques liquides typiquement utilisés pour la prévention et le traitement de mauvaises herbes, le contrôle des insectes, l'application de fertilisant et l'arrosage.

Ce pulvérisateur utilise une pile rechargeable au lithium-ion pour alimenter une pompe à air comprimé électrique. La conception de la pompe électrique PumpZero en fait une alternative plus commode et fiable qu'une pompe manuelle standard. Elle fonctionne en pressurant l'air au-dessus du liquide dans le réservoir, ce qui pousse le fluide à travers le boyau jusqu'à la buse pour être pulvérisé. Puisque la pompe électrique PumpZero fonctionne par la mise sous pression de l'air à l'intérieur du réservoir, il est important de refermer hermétiquement la pompe à l'intérieur du réservoir.

Lors de la pulvérisation, il est normal que la pompe s'active et s'éteigne périodiquement; elle ne devrait pas fonctionner constamment. La pompe mettra l'air

à l'intérieur du réservoir sous pression et s'éteindra afin que l'air pressurisé pulvérise le liquide. À mesure que le liquide est pulvérisé, la pression d'air à l'intérieur du réservoir diminuera et la pompe se réactivera. Une pompe qui s'allume et s'éteint ainsi permet une plus longue vie à la pile et une meilleure longévité de la pompe comparativement à une pompe qui fonctionne sans arrêt.

La pompe électrique PumpZero contient une pile interne au lithium-ion. Le transport de piles lithium-ion est soumis à des réglementations internationales. En conséquence, la pile doit être expédiée avec une charge réduite; il est donc nécessaire de charger la pompe avant la première utilisation. Comme pour tous les produits à piles lithium-ion, veuillez consulter votre agent d'expédition avant d'expédier cette pompe.

La pompe électrique PumpZero est équipée d'un dispositif d'arrêt automatique qui éteint la pompe après 2 heures d'inactivité. Ce dispositif prévient que la pile ne soit vidée si la pompe n'a pas été éteinte après l'utilisation du pulvérisateur.

## ASSEMBLAGE

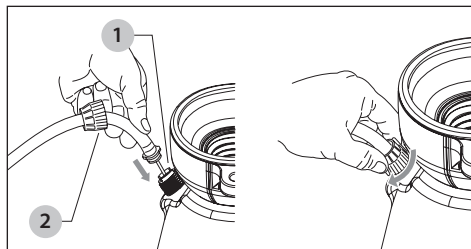
- ▲ AVERTISSEMENT : RISQUE DE BLESSURES PERSONNELLES ET DE DOMMAGES MATÉRIELS DÉCOULANT D'UNE EXPOSITION À UNE SUBSTANCE CHIMIQUE.** Après l'assemblage initial, toujours inspecter le pulvérisateur pour détecter tout dommage et effectuer un test avec de l'eau pure pour vérifier qu'il fonctionne adéquatement. Avant d'utiliser le pulvérisateur avec une substance chimique, s'assurer que toutes les connexions sont bien serrées et qu'il n'y a pas de fuite, également que le flexible n'est pas endommagé
- ▲ AVERTISSEMENT :** Utiliser seulement les accessoires recommandés par le fabricant ou vendus par celui-ci.
- ▲ AVERTISSEMENT : NE PAS EXPOSER À LA PLUIE, ENTREPOSER À L'INTÉRIEUR.**

## Assembler le Boyau au Réservoir.

**AVIS:** Ne jamais tenter de chauffer ou de modifier le boyau, l'écrou ou le raccord cannelé avant d'assembler.

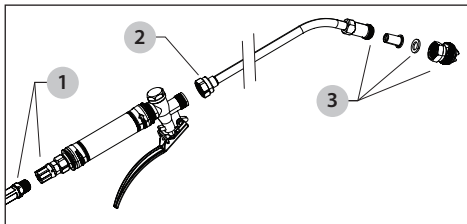
1. Aligner les coches du raccord cannelé (1) et pousser à l'intérieur du réservoir jusqu'à ce qu'il s'arrête.
2. Glisser l'écrou du boyau (2) en place et tourner dans le sens horaire pour serrer.

**AVIS :** Ne pas utiliser d'outils pour serrer l'écrou du boyau.



## Assembler le boyau, la rallonge, le dispositif d'arrêt et la buse

1. Fixer le boyau au dispositif d'arrêt et serrer solidement à l'aide d'un clé de 9/16", utiliser un clé de 3/4" pour tenir la poignée du dispositif d'arrêt lorsque vous serrez le boyau.
2. Installer la rallonge au dispositif d'arrêt et serrer solidement l'écrou à l'aide d'une clé de 13/16".
3. Installer la buse désirée dans l'écrou de la rallonge et serrer solidement l'écrou à l'aide d'une clé de 13/16". Au besoin, insérer le clapet antiretour, tel qu'illustré.

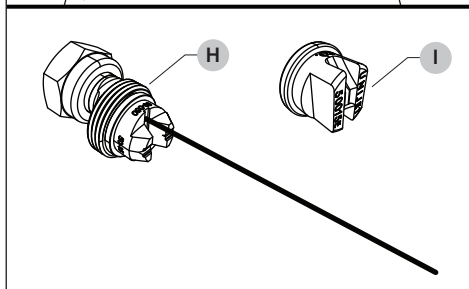
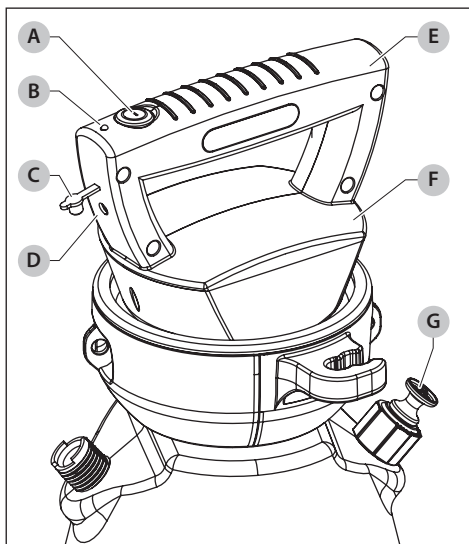


## FONCTIONNEMENT

**▲ AVERTISSEMENT : RISQUE DE BLESSURES PERSONNELLES DÉCOULANT D'UNE EXPOSITION À UNE SUBSTANCE CHIMIQUE.** Utiliser l'équipement de protection individuelle (EPI) approprié comme recommandé par le fabricant de la substance chimique ou consulter la fiche signalétique de la substance chimique utilisée. L'EPI comprend au moins des lunettes de sécurité, des gants et des vêtements de protection.

**▲ AVERTISSEMENT :** Pour réduire les risques de blessures personnelles graves, mettre l'appareil à l'arrêt et enlever le bloc-batterie avant d'effectuer tout ajustement ou d'enlever ou d'installer tout accessoire ou pièce. Une mise en marche accidentelle de l'appareil peut causer des blessures.

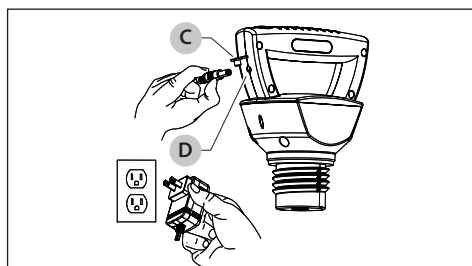
**AVIS :** Le bloc-batterie n'est pas complètement chargé à la sortie de l'emballage. Avant d'utiliser le bloc-batterie et le chargeur, lire les directives de sécurité ci-dessous et suivre ensuite les procédures de chargement décrites.



- A Bouton d'alimentation
- B Voyant lumineux
- C Couverture du port de chargement
- D Port de chargement
- E Poignée
- F Pompe PumpZero
- G Bouton à pointeau
- H Buse, 4 positions, laiton, SPS
- I Embout Unijet, inox, buse 50015E-SS

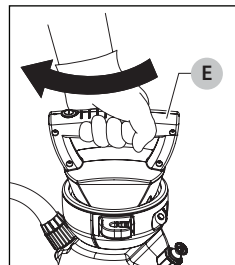
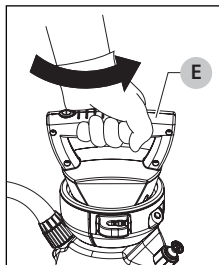
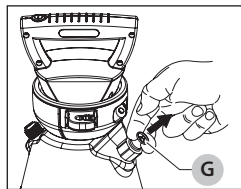
## Chargement de la pile interne de la pompe

- Dans un endroit propre et sec, insérer la fiche du chargeur dans une prise de courant électrique murale standard. Au bout de la poignée de la pompe, soulever le couvercle de caoutchouc pour exposer le port de chargement. Brancher le câble dans le port de chargement de la pompe. Le voyant lumineux devrait commencer à clignoter vert.
  - Il n'est pas possible d'opérer la pompe lorsqu'elle charge. La pompe doit être déconnectée du chargeur pour permettre l'utilisation.
  - Si le voyant lumineux sur la pompe clignote rouge, la température de la pile est trop élevée pour être rechargée de façon sécuritaire. Ceci peut se produire lorsqu'on fait une utilisation prolongée de la pile par temps très chaud ou si elle est entreposée dans un endroit très chaud (comme dans un véhicule ou une unité de stockage par temps très chaud). Si c'est le cas, la pile doit avoir le temps de refroidir avant d'être chargée.
  - Si le voyant lumineux alterne vert et rouge dans son clignotement, la pile est endommagée et ne peut être chargée dans le délai de chargement sécuritaire. La pile interne ne peut être réparée, la pompe doit être remplacée.
- Veiller à ce que la pompe et le chargeur sont placés où ils ne seront pas exposés à des liquides, une chute ou autres sources de dommage potentiel pour toute la durée de la période de chargement.
- Une fois le chargement terminé, le voyant lumineux demeurera allumé et vert. Le temps de chargement variera en fonction de l'état de la pile au début du chargement. Le temps de chargement ne devrait pas excéder 3 heures.
- Débrancher le câble de chargement une fois le chargement terminé. La pompe ne devrait pas être connectée au chargeur pendant de longues périodes d'entreposage. Pour assurer l'état optimal de la pile, la pompe devrait être chargée à tous les trois mois lorsqu'elle n'est pas utilisée.
- Remplacer le couvercle de caoutchouc sur le port de chargement pour le protéger.
- Débrancher le chargeur de la prise de courant murale lorsque vous ne l'utilisez pas.



## Remplir le pulvérisateur

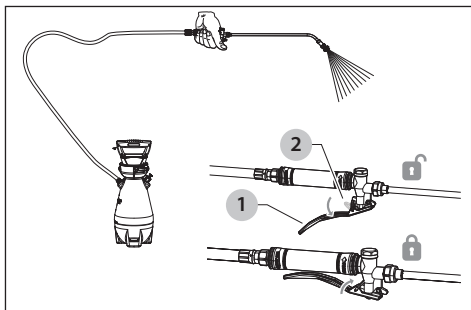
- ▲ AVERTISSEMENT : RISQUE DE MORT, DE BLESSURE ET/OU DE DOMMAGE À LA PROPRIÉTÉ RÉSULTANT D'UNE UTILISATION OU D'UN MÉLANGE CHIMIQUE INADÉQUATS.** Ne jamais utiliser des liquides ou substances inflammables, combustibles, caustiques ou acides ou de l'eau chaude dans ce pulvérisateur. La pulvérisation de liquides inflammables ou combustibles peut créer des vapeurs inflammables qui pourraient être enflammées par le système électrique du pulvérisateur et causer une explosion. Toujours vous référer au mode d'emploi du fabricant des produits chimiques pour connaître le mélange adéquat des produits. Toujours porter de l'équipement de protection personnel approprié, tel qu'indiqué par le fabricant du produit chimique lorsque vous utilisez, préparez, manipulez, pulvérisiez ou éliminez des produits chimiques. Au minimum des lunettes, des gants et des vêtements de protection.
- ▲ AVERTISSEMENT : Inspect the sprayer, hose, shut-off, wand, and all connections for damage before each use. A damaged or loose hose connection can result in unintended exposure to the pressurized chemicals, resulting in serious injury or property damage.**
- ▲ AVERTISSEMENT : RISQUE DE DOMMAGE AUX COMPOSANTS INTERNES.** L'utilisation de produits chimiques autres que des solutions aqueuses ou hydrosolubles peut endommager le pulvérisateur et annuler la garantie.
- Veiller à ce que la pompe soit ÉTEINTE (le voyant lumineux est ÉTEINT).
  - Tirer sur le bouton à pointeau jusqu'à ce que la pression du réservoir soit totalement relâchée.
  - Tourner la poignée de la pompe dans le sens antihoraire pour enlever la pompe. Remplir le réservoir jusqu'au niveau désiré à l'aide des gradations sur la paroi. (Toujours utiliser le mélange recommandé par le fabricant de produits chimiques).
  - Installer la pompe dans l'ouverture du réservoir et tourner dans le sens des aiguilles d'une montre jusqu'à ce que la pompe soit hermétiquement installée contre le réservoir.



**Alimentation et pulvérisation :**

**▲ AVERTISSEMENT : RISQUE DE PULVÉRISATION INVOLONTAIRE ET D'EXPOSITION CHIMIQUE.** Veiller à ce que le dispositif d'arrêt soit en position fermée (levier relâché) avant d'appuyer sur le bouton de mise en marche. Le pulvérisateur pulvérisera si le levier est déclenché lorsque le pulvérisateur est mis en marche. Pulvériser seulement par temps calme (sans vent ou courants d'air) afin d'éviter la pulvérisation de produits chimiques dans un endroit imprévu.

1. La pompe PumpZero doit être chargée pour que le pulvérisateur fonctionne. Voir Chargement de la pile interne de la pompe.
2. Appuyer le bouton de mise en marche pour allumer la pompe et pour mettre le réservoir sous pression.
  - a. Le voyant lumineux devrait être vert et on devrait entendre un ronflement audible qui indique que la pompe fonctionne et qu'elle met le réservoir sous pression.
  - b. La pompe s'éteindra une fois le réservoir sous pression, ce qui devrait durer entre 30 secondes et plusieurs minutes, selon la taille du réservoir et la quantité de liquide qui s'y trouve.
  - c. Il est permis de commencer la pulvérisation avant que le réservoir soit complètement sous pression mais afin d'obtenir une pulvérisation optimale, il est recommandé d'attendre au moins 20 secondes pour permettre à la pression de monter à l'intérieur du réservoir.
3. Orienter la tige dans la direction de pulvérisation désirée et appuyer sur le levier du dispositif d'arrêt
4. Pour une pulvérisation continue, appuyer sur le levier et tourner l'écrou de verrouillage pour maintenir le levier en position actionnée.
5. Déverrouiller, au besoin, et désactiver le levier pour arrêter la pulvérisation.
6. Pour fermer le pulvérisateur, appuyer sur le bouton de mise en marche. Le voyant lumineux s'éteindra.
7. Veuillez noter que le réservoir est toujours sous pression même si la pompe a été fermée.
8. Toujours retirer les produits chimiques et nettoyer le réservoir après chaque utilisation. Voir "Nettoyage et entreposage".

**NETTOYAGE****Nettoyage et entreposage**

- ▲ AVERTISSEMENT :** Always release pressure from the sprayer prior to cleaning. Disassembly of a sprayer that is still pressurized may result in the high-speed ejection of components.
- ▲ AVERTISSEMENT : RISQUE DE BLESSURE RÉSULTANT DE L'EXPOSITION AUX PRODUITS CHIMIQUES.** Toujours porter de l'équipement de protection personnel approprié, tel qu'indiqué par le fabricant du produit chimique lorsque vous utilisez, préparez, manipulez, pulvérisiez ou éliminez des produits chimiques. Au minimum des lunettes, des gants et des vêtements de protection.
- ▲ AVERTISSEMENT : RISQUE D'ENDOMMAGEMENT AUX COMPOSANTS INTERNES.** Un manquement au rinçage du pulvérisateur peut causer une accumulation de produits chimiques qui peut obstruer ou endommager les filtres, la pompe, le dispositif d'arrêt, la tige et la buse. L'accumulation de résidus chimiques peut aussi contaminer vos applications subséquentes. Un nettoyage non-adéquat des produits chimiques dans le pulvérisateur peut causer une détérioration prématurée du pulvérisateur. Ne jamais entreposer le pulvérisateur avec des produits chimiques restants à l'intérieur de ses composants.
1. Éteindre la pompe en appuyant sur le bouton de mise en marche. Le voyant lumineux sur le dessus de la pompe devrait s'éteindre.
  2. Faire fonctionner le bouton à pointeau sur le côté du réservoir en le tirant doucement vers l'extérieur jusqu'à ce que l'air à l'intérieur du réservoir soit complètement écoulé.
  3. Enlever la pompe du réservoir en la tournant dans le sens contraire des aiguilles d'une montre. Éviter de la placer où elle pourrait être contaminée de saleté, de gazon coupé ou débris qui pourrait entrer à l'intérieur du réservoir.
  4. Vider tout produit chimique restant dans un récipient adéquat pour utilisation ultérieure ou pour élimination, selon les directives du fabricant du produit chimique.
  5. Utiliser de l'eau propre pour bien rincer le réservoir et vider le réservoir de tout produit chimique et résidus.
  6. Utiliser un linge mouillé pour essuyer le dessus de la pompe afin d'enlever tous les résidus de produits chimiques. Ne pas rincer la pompe avec un boyau ou la submerger dans l'eau car l'eau pénétrera dans le boîtier et endommagera les composants électriques, la rendant inutilisable et en annulant la garantie.
  7. Ajouter environ 1 litre d'eau propre dans le réservoir.
  8. Attacher la pompe au réservoir et bien resserrer.

9. Appuyer sur le bouton de mise en marché pour que la pompe mette le réservoir sous pression.
10. Avec de l'eau propre à l'intérieur du réservoir rincé, pulvériser l'eau à travers le boyau, le dispositif d'arrêt, la tige et la buse pendant au moins 30 secondes pour bien les rincer. Un manquement au rinçage du boyau, du dispositif d'arrêt, de la tige et de la buse peut permettre l'accumulation de produits chimiques qui peut obstruer ou endommager les composants. À la suite d'un usage prolongé, un rinçage de la buse pourrait ne pas être suffisant pour déloger les résidus. Un nettoyage de la buse avec une petite brosse pourrait être nécessaire.
11. Appuyer sur le bouton de mise en marché pour éteindre la pompe.
12. Tirer sur le bouton à pointe sur le côté du réservoir pour dépressuriser le réservoir.
13. Retirer la pompe. Éviter de la placer où elle pourrait être contaminée de saleté, de gazon coupé ou débris qui pourrait entrer à l'intérieur du réservoir.
14. Déclencher le levier pour purger toute eau demeurant à l'intérieur du boyau, du dispositif d'arrêt et de la tige.
15. Vider toute l'eau demeurant à l'intérieur du réservoir.
16. Permettre au pulvérisateur de sécher. À cette fin, accrocher le réservoir à l'envers pour qu'il s'égoutte complètement.
17. Une fois le pulvérisateur bien sec, retourner à l'endroit et réassembler la pompe au réservoir sans trop resserrer afin qu'aucun débris ne pénètre à l'intérieur du réservoir.
18. Entreposer le pulvérisateur, la pompe et le chargeur dans un endroit sec et chaud à l'intérieur, à l'abri des rayons du soleil, éloigné de toute source d'humidité ou de chaleur intense. Ne pas entreposer le pulvérisateur où les températures peuvent atteindre le point de congélation (moins de 32°F/0°C). Si le liquide à l'intérieur du pulvérisateur gèle, il est possible d'endommager la pompe, les joints d'étanchéité, le dispositif d'arrêt ou autres composants et annuler la garantie.
19. Pour assurer l'état optimal de la pile, la pile devrait être chargée à tous les trois mois lorsqu'elle n'est pas utilisée. Voir Chargement de la pile interne.

## ENTRETIEN

**▲ AVERTISSEMENT :** Avant d'effectuer un entretien, toujours dépressuriser le pulvérisateur en appuyant sur le bouton d'arrêt (position OFF) et en faisant fonctionner le clapet de décharge jusqu'à ce que toute la pression d'air dans le réservoir soit relâchée.

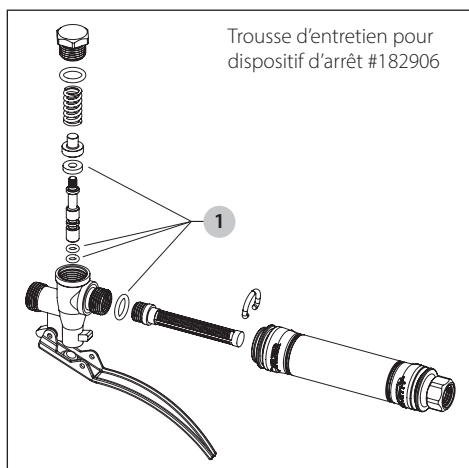
### Entretien de la buse

1. Si la buse est obstruée, retirer et démonter les pièces de la buse.
2. Nettoyer les orifices de toute obstruction et réassembler.
3. Les buses en laiton devraient être nettoyées avec une brosse à dents et un détergent. Ne pas utiliser de brosse en métal ou d'objets pointus sur la buse. Pour les obstructions tenaces, faire tremper la buse en laiton dans du xylène et nettoyer avec une brosse.

### Entretien du dispositif d'arrêt (trousse de réparation)

**▲ AVERTISSEMENT :** Toujours dépressuriser le pulvérisateur avant d'effectuer un entretien en activant le dispositif d'arrêt et en pulvérisant tout le contenu.

1. Desserrer la poignée du dispositif d'arrêt.
2. Desserrer le bouchon de la valve et retirer les composants de la valve et les joints d'étanchéité, tel qu'illustré. Nettoyer les composants avec de l'eau froide et propre.
3. Nettoyer tout débris accumulé à l'intérieur de la poignée et du dispositif d'arrêt. Vérifier l'usure des joints toriques ou d'étanchéité (1) et remplacer au besoin.
4. Réassembler les composants, tel qu'illustré, et resserrer solidement la poignée et le bouchon de la valve.



**CONFORMITÉ FCC :**

Ce produit répond aux exigences de la section des réglementations de la FCC. Son fonctionnement est soumis aux deux conditions suivantes: (1) cet appareil ne peut causer d'interférences nuisibles, et (2) cet appareil doit accepter toute interférence reçue, notamment celles pouvant causer un fonctionnement non désiré.

Remarque: Cet équipement a été testé et déclaré conforme aux limites des appareils numériques de classe B, en vertu de la section 15 des règlements de la FCC. Ces limites visent à fournir une protection raisonnable contre les interférences nuisibles dans une environnement résidentiel. Cet appareil génère, utilise et peut émettre des radiofréquences. S'il n'est pas installé et utilisé conformément aux instructions, il peut provoquer des interférences nuisibles pour les radiocommunications. Il n'y a toutefois aucune garantie que des interférences ne se produiront pas dans une installation particulière. Si cet équipement produit des interférences qui nuisent à une réception radio ou télévisuelle, ce qui peut être déterminé en éteignant et en allumant l'appareil, l'utilisateur est invité à corriger la situation par l'un ou l'autre des moyens suivants:

- Réorienter ou déplacer l'antenne réceptrice.
- Éloigner l'équipement du récepteur.
- Brancher l'équipement dans une autre prise de courant sur un circuit différent de celui du récepteur.
- Consulter le détaillant ou un technicien spécialisé en radio/télévision.

**Canada IC:**

CAN ICES-3 (B)/NMB-3(B)

**Fabriqué sous licence par :**

*The Fountainhead Group, Inc.*  
23 Garden Street  
New York Mills, NY 13417 U.S.A.

Télécopieur : (315) 768-4220

Courriel : [Info@TheFGI.com](mailto:Info@TheFGI.com)

[www.TheFountainheadGroup.com](http://www.TheFountainheadGroup.com)

**Foire aux questions**

Consulter <https://www.thefountainheadgroup.com/> pour de plus amples renseignements sur ce produit.

**Numéros de brevets**

Consulter <https://www.thefountainheadgroup.com/> pour les numéros de brevets associés au produit particulier.

**Pièces de rechange**

Consulter <https://www.thefountainheadgroup.com/> pour les pièces de rechange du produit particulier.

**Garantie**

Consulter <https://www.thefountainheadgroup.com/> pour la garantie de ce produit.

## GUIDE DE DÉPANNAGE

### S'ASSURER DE RESPECTER LES RÈGLES ET LES DIRECTIVES RELATIVES À LA SÉCURITÉ

Pour obtenir de l'aide avec votre produit, visiter notre site Web : [www.thefountainheadgroup.com](http://www.thefountainheadgroup.com) ou appeler 1-800-311-9903.

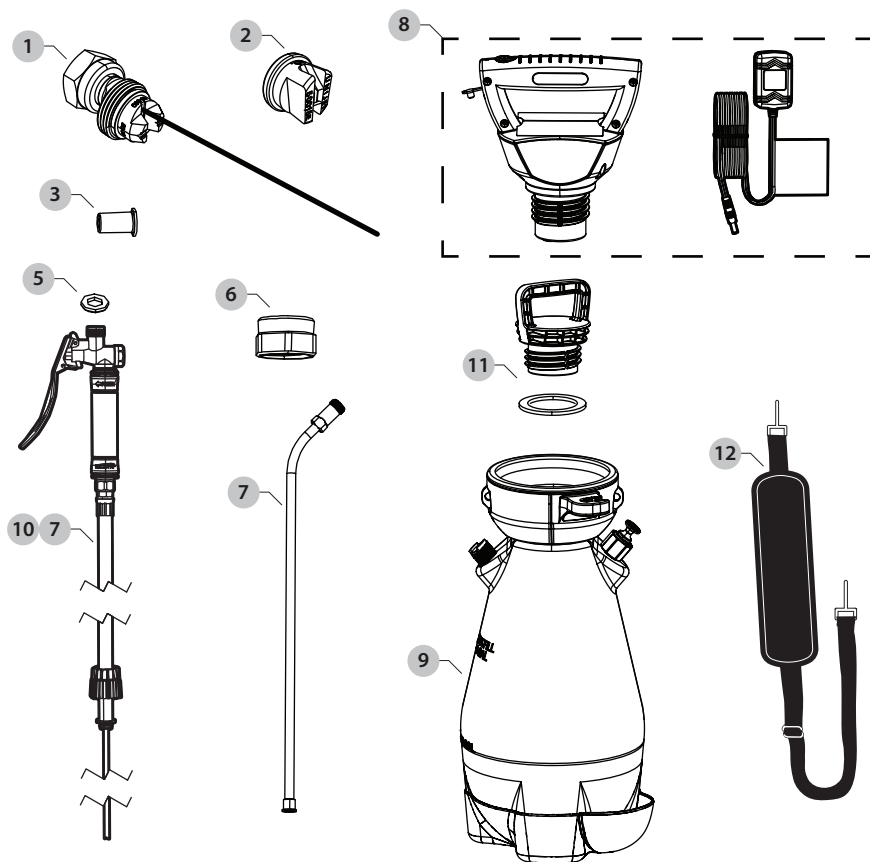
PROBLÈME	SYMPTÔME	SOLUTION
Le pulvérisateur ne s'allume pas lorsqu'on appuie sur le bouton de mise en marche (aucun ronflement de la pompe).	La pile n'est pas chargée. Le voyant lumineux ne s'allume PAS.	Charger la pompe si le voyant lumineux ne s'allume pas. Voir Chargement de la pile interne de la pompe.
	La pompe est endommagée, surchauffée ou ne fonctionne pas. Effectuer une inspection visuelle de la pompe pour tout dommage. Utiliser le chargeur pour diagnostiquer tout problème avec la pile. Voir Chargement de la pile interne de la pompe.	Remplacer la pompe si elle est endommagée ou non fonctionnelle. Permettre à la pile de refroidir si elle est surchauffée.
	Le réservoir est déjà sous pression donc la pompe s'est éteinte automatiquement.	Ouvrir le dispositif d'arrêt (en appuyant sur le levier) pour voir si le pulvérisateur commence à pulvériser. .
Le pulvérisateur s'allume (on entend le ronflement de la pompe) mais ne pulvérise pas.	La pompe est connectée au chargeur.	Débrancher le chargeur.
	Le réservoir est vide.	Ajouter du liquide dans le réservoir. Voir Remplissage du réservoir..
	Le réservoir est vide.	Nettoyer le dispositif d'arrêt. Voir Entretien du dispositif d'arrêt.
	La buse est obstruée..	Nettoyer la buse. Voir Entretien de la buse.
Le pulvérisateur s'allume mais ne pulvérise qu'à basse pression.	La pompe n'est pas serrée au réservoir et fuit au niveau du joint.	Serrer la pompe au réservoir.
	Le réservoir n'est pas encore sous pression.	Permettre à la pompe de mettre le réservoir sous pression (au moins 20 secondes).
	L'air s'échappe du réservoir au joint.	Serrer la pompe au réservoir.
	Le joint du réservoir ou la surface du joint sont endommagés.	Remplacer le joint du réservoir.
	Le dispositif d'arrêt est obstrué.	Nettoyer le dispositif d'arrêt. Voir Entretien du dispositif d'arrêt.
Le boyau fuit au niveau du raccord avec le réservoir.	La buse est obstruée.	Nettoyer la buse. Voir Entretien de la buse.
	Boyau craqué, gonflé ou défectueux.	Remplacer l'assemblage du dispositif d'arrêt.
Le boyau fuit au niveau du dispositif d'arrêt.	Connexion endommagée.	Remplacer l'assemblage du dispositif d'arrêt.
	Boyau craqué, gonflé ou défectueux.	Remplacer l'assemblage du dispositif d'arrêt.
	Connexion endommagée.	Remplacer l'assemblage du dispositif d'arrêt.

PROBLÈME	SYMPTÔME	SOLUTION
La buse dégorge lorsqu'on relâche le levier du dispositif d'arrêt.	Saleté ou débris dans le dispositif d'arrêt.	Nettoyer l'ensemble d'arrêt.
	Joint torique ou joint endommagé Éteindre.	Remplacer l'assemblage du dispositif d'arrêt..
Égouttement à l'extrémité de la buse	Joint plat manquant.	Installer le joint plat derrière l'extrémité de la buse. Voir Assemblage de la tige, du dispositif d'arrêt et de la buse.
	Joint plat endommagé.	Remplacer le joint plat.
Pulvérisation irrégulière	Le réservoir n'est pas sous pression.	Allumer la pompe.
	La buse est partiellement obstruée.	Nettoyer la buse. Voir Entretien de la buse.
	La buse est endommagée.	Remplacer la buse.
La pile ne charge pas	Le dispositif d'arrêt est obstrué.	Nettoyer le dispositif d'arrêt. Voir Entretien du dispositif d'arrêt.
	Charger not plugged into outlet.	Brancher le chargeur dans la prise électrique.
	No lights illuminated on Pump. Charger plugged into outlet.	Vérifier que la prise électrique fonctionne.
	No lights illuminated on Pump. Charger plugged into outlet, outlet functioning.	Remplacer le chargeur.
	Red light continues flashing on Pump (Battery temperature too high for safe charging).	Permettre à la pompe de refroidir.
Red and Green lights flash alternately on Pump (Battery cannot be charged).	Remplacer la pompe.	



## TROUSSES, PIÈCES ET ACCESSOIRES

N° DE CLÉ	N° DE PIÈCE	Description
1	182379	Buse, 4 positions, laiton, SPS
2	185158	Embout Unijet, inox, buse 50015E-SS
3	176332	Clapet antiretour TEEJET 5, noir, psi 5, 11750
4	183293	Ensemble pour rallonge, 18", laiton
5	182641	Sceau d'étanchéité, Viton, rallonge, inox (2 pièces)
6	183296	Écrou, rallonge en laiton
7	184741	Ensemble pour boyau, raccord cannelé avec filetage NPT pour réservoir, nylon et caoutchouc, 0,313ID x 50L, noir
8	184175	Trousse d'entretien pour dispositif d'arrêt #182906
9	185225	Ensemble pour réservoir, 1 gallon, clapet de décharge en Viton (naturel/blanc)
10	183300	Ensemble pour dispositif d'arrêt, laiton, S103E, SPS
11	184242	Ensemble pour bouchon et bague d'étanchéité, rouge
12	184536	Courroie, transport, rembourrée, Pro, 64", air comprimé





**THE  
FOUNTAINHEAD  
GROUP**

Craftsmanship, Innovation, Commitment

*[www.thefountainheadgroup.com](http://www.thefountainheadgroup.com)*



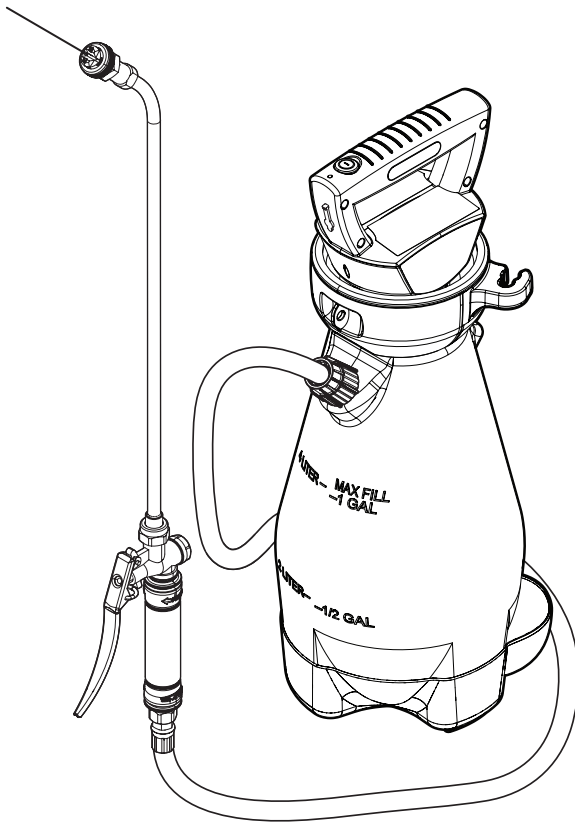
MODELO #: 190728

MANUAL #: 185189-A

12/2021

## MANUAL DE INSTRUCCIONES

Rociador para control de plagas XP100P



No devuelva este atomizador a la tienda.  
Para obtener ayuda, información o piezas, llame al:



### **ADVERTENCIA**

Lea y comprenda completamente el manual antes de usar este producto.

El incumplimiento de las instrucciones podría provocar la muerte o lesiones graves.



**THE  
FOUNTAINHEAD  
GROUP**

Craftsmanship, Innovation, Commitment

[www.thefountainheadgroup.com](http://www.thefountainheadgroup.com)

(800) 311-9903 | [info@thefgi.com](mailto:info@thefgi.com)

23 Garden St. New York Mills, NY, 13417

# SPANISH INDICE

IMPORTANTES DE SEGURIDAD .....	30
<i>Definiciones</i> .....	30
SEGURIDAD EN EL USO DE PRODUCTOS QUÍMICOS.....	30
SEGURIDAD DEL PULVERIZADOR.....	30
<i>Información de seguridad adicional</i> .....	31
INTRODUCTION.....	31
ENSAMBLAJE.....	31
<i>Conexión de la Manguera al Tanque</i> .....	31
<i>Ensamble la manguera, la extensión, la válvula de paso y la boquilla</i> .....	32
FUNCIONAMIENTO .....	32
<i>Carga de la batería interna de la bomba</i> .....	33
<i>Llenado del atomizador</i> .....	33
<i>Encendido y rociado</i> .....	34
LIMPIEZA.....	34
<i>Limpieza y almacenamiento</i> .....	34
MANTENIMIENTO.....	35
<i>Mantenimiento de la boquilla</i> .....	35
<i>Mantenimiento de la Válvula de Paso (Kit de Reparación)</i> .....	35
CUMPLIMIENTO DE FCC.....	36
GUÍA DE RESOLUCIÓN DE PROBLEMAS.....	37
JUEGOS, PIEZAS Y ACCESORIOS.....	39

## IMPORTANTES DE SEGURIDAD

### Definiciones

**▲ PELIGRO:** Indica una situación peligrosa que, si no se evita, provocará la muerte o lesiones graves.

**▲ ADVERTENCIA:** Indica una situación peligrosa que, si no se evita, podría provocar la muerte o lesiones graves.

**▲ PRECAUCIÓN:** Indica una situación peligrosa que, si no se evita, podría provocar lesiones leves o moderadas.

**AVISO:** Indica información considerada importante, pero no relacionada con el peligro (por ejemplo, mensajes relacionados con daños a la propiedad).

**▲ PELIGRO:** ADVERTENCIA: CUANDO USE UN ATOMIZADOR ELÉCTRICO DEBE SEGUIR PRECAUCIONES BÁSICAS QUE INCLUYEN LAS SIGUIENTES:

- Lea todas las instrucciones antes de usar el atomizador.
- Para reducir el riesgo de lesiones, es necesaria una supervisión estrecha al usar un aparato cerca de los niños.
- Use solamente aditamentos recomendados o vendidos por el fabricante.
- En el caso de atomizadores inalámbricos, use solamente el cargador provisto por el fabricante para recargarlos.

## SEGURIDAD EN EL USO DE PRODUCTOS QUÍMICOS

**▲ PELIGRO:** RISQUE DE DÉCÈS, DE BLESSURES PERSONNELLES GRAVES ET DE DOMMAGES MATÉRIELS DÉCOULANT DE L'UTILISATION D'UNE SUBSTANCE CHIMIQUE OU D'UN MÉLANGE INAPPROPRIÉ.

- Ne jamais utiliser des substances inflammables ou combustibles chimiques dans ce pulvérisateur. Pulvériser des substances chimiques combustibles ou inflammables peut créer des vapeurs combustibles qui pourraient s'enflammer et créer une explosion.
- Utiliser seulement des substances chimiques conçues pour la pulvérisation. Certaines substances chimiques peuvent créer une atmosphère toxique ou d'autres atmosphères dangereuses lorsqu'elles sont pulvérisées.
- Pour un mélange approprié et une application sécuritaire, toujours respecter les directives du fabricant concernant les substances chimiques et la fiche signalétique relative aux substances chimiques.

## SEGURIDAD DEL PULVERIZADOR

**▲ PELIGRO:** RIESGO DE LESIONES Y/O DAÑOS A LA PROPIEDAD DEBIDO A LA EXPOSICIÓN A PRODUCTOS QUÍMICOS.

**▲ PELIGRO:** NO EXPONGA A LA LLUVIA, GUARDE EN INTERIORES.

- Lea y comprenda todo el manual de instrucciones antes de usar este pulverizador.

- Siga todas las instrucciones y precauciones del manual de instrucciones cuando utilice este pulverizador.
- Lea y siga todas las instrucciones y precauciones de la etiqueta del fabricante de los productos químicos que se utilicen en este pulverizador.
- Utilice el equipo de protección personal (EPP) adecuado según las recomendaciones del fabricante del producto químico y/o consulte la hoja de datos de seguridad (SDS) del producto químico que se utilizará. Esto incluye al menos gafas, guantes y ropa de protección. Si no se utiliza el equipo de protección personal adecuado se puede producir una exposición química a través del contacto con la piel, los ojos, la inhalación u otros medios.
- Después del ensamblaje inicial, un almacenamiento prolongado o cualquier evento que pueda haberlo dañado, como una caída, inspeccione siempre si el pulverizador está dañado y pruebe con agua corriente si funciona correctamente. Asegúrese de que todas las conexiones estén fijas y no tengan fugas, y que la manguera no esté dañada, antes de usar el pulverizador con productos químicos.
- Inspeccione siempre las mangueras y las conexiones antes de cada uso. Una manguera dañada o conexiones flojas pueden causar una descarga sin control de los productos químicos a alta presión.
- No rocíe cerca de llamas abiertas, superficies calientes o cualquier cosa que podría vaporizar el líquido. De hacerlo, se puede generar una atmósfera química peligrosa.
- Nunca use sustancias cáusticas, cloro, ácidos, agua caliente o productos químicos que produzcan presión en este pulverizador.
- Mantenga el pulverizador y todos los productos químicos fuera del alcance de niños y mascotas.
- Rocíe solo cuando no haya viento ni brisa para evitar que el rociado del producto químico se desvíe hacia superficies no deseadas.
- Libere siempre la presión cuando no use el pulverizador y antes de quitar la bomba del tanque.
- Nunca guarde productos químicos en el pulverizador.
- Almacene o deseche los productos químicos sin usar conforme a las instrucciones de sus respectivos fabricantes debido al potencial de daño ambiental por un derrame o fuga, y/o consulte los criterios de desecho a los que se hace referencia en la SDS.
- Limpie y enjuague el pulverizador después de cada uso para evitar la exposición no intencional a productos químicos y evitar contaminación en usos subsiguientes.
- Almacene el pulverizador en un lugar cálido, seco y sin polvo lejos de la luz solar directa.

**▲ ADVERTENCIA:** RIESGO DE LESIONES Y/O DAÑOS A LA PROPIEDAD DEBIDO A LA RUPTURA Y/O DESCARGA SIN CONTROL DE PRODUCTOS QUÍMICOS LÍQUIDOS A ALTA PRESIÓN.

- Nunca modifique o altere el estado original del pulverizador. Nunca caliente ni modifique la manguera, la tuerca de la manguera o la lengüeta. Hacerlo podría debilitar los componentes y/o las conexiones.

## SPANISH

- Use solo piezas de repuesto del fabricante original. Otras piezas de repuesto no son compatibles con este pulverizador.
- Nunca presurice el pulverizador con ningún 36 dispositivo que no sea la bomba suministrada por el fabricante original. El uso de un compresor de aire u otro dispositivo no estándar para presurizar el tanque podría exceder la presión segura de funcionamiento del pulverizador.
- No levante, transporte o jale el pulverizador por la manguera, la válvula de cierre o la extensión de la varilla. Hacerlo podría debilitar los componentes y/o las conexiones. Lleve por el asa o el arnés solamente, asegurándose de que las conexiones estén bien aseguradas antes de levantar.
- Para reducir el riesgo de descarga eléctrica, no ponga el aparato en agua u otro líquido. No coloque ni guarde el aparato donde pueda caerse o ser empujado dentro de una bañera o lavabo.

## Información de seguridad adicional

- ▲ **ADVERTENCIA:** No modifique nunca el pulverizador ni ninguna de sus partes. Podrían producirse daños o lesiones.

# GUARDE ESTAS INSTRUCCIONES PARA SU USO FUTURO

## INTRODUCTION

Este es un atomizador eléctrico de tanque de aire comprimido que está diseñado para rociar soluciones solubles en agua, como herbicidas, pesticidas y otros productos químicos líquidos que se usan normalmente para la prevención y la eliminación de malas hierbas, el control de plagas, la fertilización y el riego.

Este atomizador utiliza una batería interna recargable de iones de litio para alimentar una bomba eléctrica de compresor de aire. La bomba eléctrica PumpZero está diseñada para brindar una alternativa más conveniente y consistente a las bombas manuales estándar. Funciona al presurizar el aire sobre el fluido en el tanque, y genera que el fluido pase a través de la manguera hacia la boquilla y se rocíe. Debido a que la bomba eléctrica PumpZero funciona cuando se presuriza el aire en el tanque, es importante que se obtenga un buen sello de aire cuando se ajuste la bomba.

Mientras se rocía activamente, es normal que la bomba se active y desactive por sí misma periódicamente; no se espera que se ejecute continuamente. La bomba presurizará el aire dentro del tanque, luego se desactivará y dejará que la presión del aire haga el trabajo de rociar el fluido. A medida que se rocíe el fluido, la presión del aire dentro del tanque disminuirá, lo que generará que en algún momento la bomba se active nuevamente. El hecho de que la bomba se active y desactive de esta manera permitirá que la

batería dure más tiempo y otorgará mayor longevidad a la bomba, en comparación con una bomba de ejecución continuamente.

La bomba eléctrica PumpZero contiene una batería de iones de litio. El envío de baterías de iones de litio está sujeto a las regulaciones de envío internacional. En consecuencia, la batería debe estar en un estado de carga reducida para el envío, por lo que la bomba debe cargarse antes de su primer uso. Como ocurre con todos los productos que contienen baterías de iones de litio, consulte las instrucciones con su agente de envío local antes del envío de la bomba.

La bomba eléctrica PumpZero está equipada con una función de autoapagado que desactiva la bomba después de 2 horas de inactividad. Esto se realiza para prevenir que la batería se consuma en caso de que la bomba se deje activada cuando el atomizador no está en uso.

## ENSAMBLAJE

- ▲ **ADVERTENCIA:** RIESGO DE LESIONES Y/O DAÑOS A LA PROPIEDAD DEBIDO A LA EXPOSICIÓN A PRODUCTOS QUÍMICOS. Después del ensamblaje inicial, inspeccione siempre si el pulverizador está dañado y pruebe con agua corriente para verificar el funcionamiento correcto. Asegúrese de que todas las conexiones estén fijas y no tengan fugas, y que la manguera no esté dañada, antes de usar el pulverizador con productos químicos.

- ▲ **ADVERTENCIA:** Solo use accesorios recomendados por el fabricante.

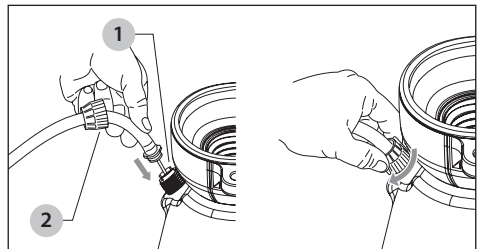
- ▲ **ADVERTENCIA:** Solo para uso doméstico.

## Conexión de la Manguera al Tanque

**AVISO:** No intente calentar o alterar la manguera, la tuerca o espiga de la manguera antes de ensamblar.

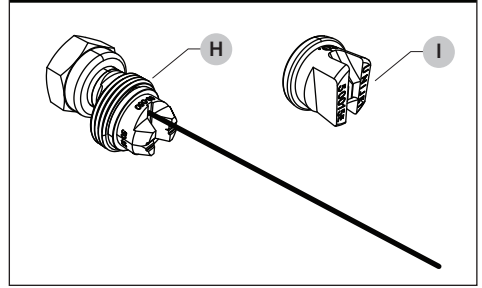
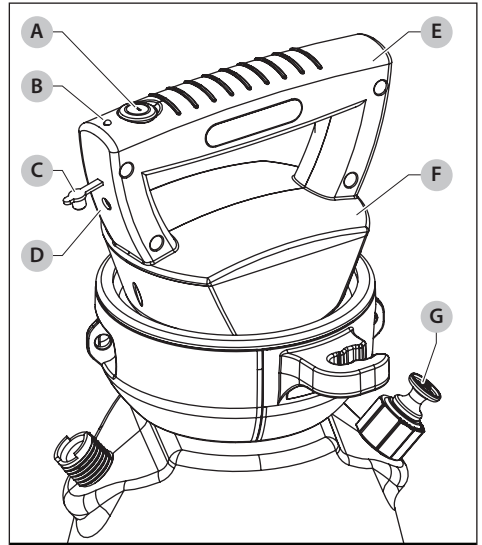
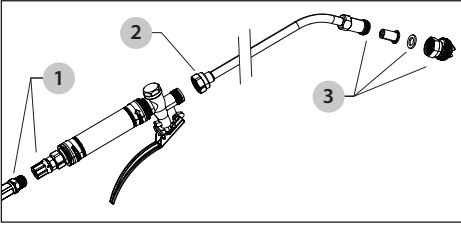
1. Alinee las estrías de la manguera, empuje la espiga de la manguera (1) dentro del tanque hasta que tope.
2. Deslice la tuerca de la manguera (2) hasta su lugar y gire en dirección horaria para fijarla.

**NOTA:** No use herramientas para apretar la tuerca de la manguera.



## Ensamble la manguera, la extensión, la válvula de paso y la boquilla

1. Conecte la manguera a la válvula de paso y apriétela bien con una llave de 9/16 pulg., use una llave de 3/4 pulg. para sostener la manija de la válvula de paso mientras aprieta la manguera.
2. Instale la extensión en el conjunto de la válvula de paso y apriete bien la tuerca con una llave de 13/16 pulg.
3. Instale la boquilla seleccionada en la tuerca de extensión y apriete bien la tuerca usando una llave de 13/16 pulg. Inserte la válvula de retención como se indica, si es necesario.



## FUNCIONAMIENTO

**▲ ADVERTENCIA: RIESGO DE LESIONES DEBIDO A LA EXPOSICIÓN A PRODUCTOS QUÍMICOS.** Utilice el equipo de protección personal (EPP) adecuado según las recomendaciones del fabricante del producto químico y/o consulte la hoja de datos de seguridad (SDS) del producto químico que se utilizará. Esto incluye al menos gafas, guantes y ropa de protección.

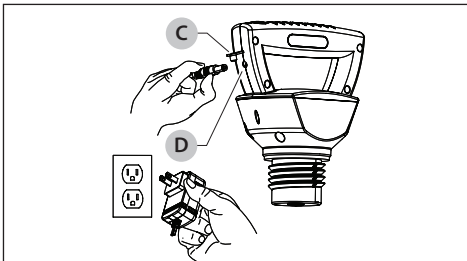
**▲ ADVERTENCIA:** Para reducir el riesgo de lesiones graves, apague la unidad y quite la batería antes de realizar cualquier ajuste o de retirar o instalar accesorios. Una puesta en marcha accidental puede causar lesiones.

**AVISO:** La batería no se entrega completamente cargada. Antes de utilizar la batería y el cargador, lea las instrucciones de seguridad que se indican a continuación y siga los procedimientos de carga que se indican.

- A Botón de encendido
- B Luz
- C Cubierta del puerto de cargat
- D Puerto de carga
- E Mango
- F Bomba PumpZero
- G Válvula de alivio de presión
- H Boquilla, 4 vías, latón, SPS
- I Punta unijet de acero inoxidable, Boquilla 50015E-SS

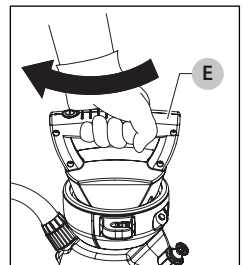
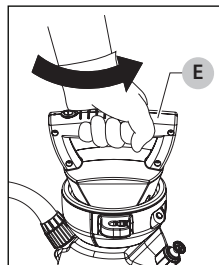
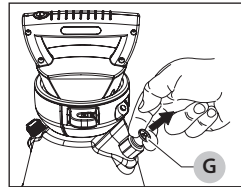
## Carga de la batería interna de la bomba

- En un lugar seco y limpio, inserte el enchufe del cargador en un tomacorriente eléctrico estándar. En el extremo del mango de la bomba, retire la cubierta de goma para exponer el puerto de carga. Conecte el cable del cargador en el puerto de carga de la bomba. La luz en la parte superior de la bomba debería empezar a parpadear en color verde.
  - La bomba no puede utilizarse cuando se está cargando. La bomba debe desconectarse del cargador para utilizarse nuevamente.
  - Si la luz de la bomba parpadea de color rojo, es porque la batería está demasiado caliente como para cargarse de forma segura. Esto puede ocurrir cuando la batería se usa exhaustivamente en un ambiente muy caliente o si la batería se guardó en un lugar muy caliente (como en un vehículo cerrado o una unidad de almacenamiento con un clima muy caliente). Si esto sucede, debe dejar que la batería se enfríe antes de que pueda cargarse.
  - Si la luz de la bomba parpadea rojo y verde alternativamente, significa que la batería está dañada y no puede cargarse dentro del límite de tiempo de carga segura. La batería interna no se puede reparar y se debe reemplazar la bomba.
- Asegúrese de que la bomba y el cargador estén ubicados donde no estén expuestos a líquidos, caídas u otras fuentes de daño mientras dure el periodo de carga.
- Cuando la carga se complete, la luz permanecerá de color verde y se mantendrá encendida constantemente. El tiempo de carga variará según la condición de la batería al inicio de la carga. El tiempo de carga no debe exceder las 3 horas.
- Retire el cable del cargador de la bomba cuando la carga termine. Las bombas no deben conectarse al cargador durante largos periodos de almacenamiento. Para asegurar la vida óptima de la bomba, esta debe cargarse al menos una vez cada 3 meses cuando no esté en uso.
- Reinserte la cubierta de goma en el puerto de carga para protegerlo.
- Desconecte el cargador del tomacorriente eléctrico de la pared cuando no esté en uso.



## Llenado del atomizador

- ▲ ADVERTENCIA: RIESGO DE MUERTE, LESIÓN PERSONAL O DAÑO A LA PROPIEDAD DEBIDO A USO O MEZCLA INAPROPIADA DE ELEMENTOS QUÍMICOS.** Nunca utilice líquidos inflamables o combustibles, agentes cáusticos, ácidos o agua caliente en este atomizador. Rocíar líquidos inflamables o combustibles puede crear gases que pueden encenderse debido al sistema eléctrico en el atomizador y generar una explosión. Siempre consulte las instrucciones del fabricante de la sustancia química para saber cómo mezclar correctamente. Siempre use equipo de protección personal adecuado según las instrucciones del fabricante químico cuando use, prepare, maneje, rocíe o deseche los químicos. Este equipo debe incluir, como mínimo, gafas de seguridad, guantes y ropa protectora.
- ▲ ADVERTENCIA:** Inspeccione el rociador, la manguera, el cierre, la varilla y todas las conexiones en busca de daños antes de cada uso. Una conexión de manguera suelta o dañada puede provocar una exposición no intencionada a los productos químicos presurizados, lo que puede provocar lesiones graves o daños a la propiedad.
- ▲ ADVERTENCIA: RIESGO DE DAÑO DE COMPONENTES INTERNOS.** El uso de elementos químicos que no sean soluciones basadas en agua o solubles en agua podría dañar el atomizador y anulará la garantía.
- Asegúrese de que la bomba esté apagada (la luz debe estar apagada).
  - Tire de la perilla de la válvula de alivio de presión hasta que se libere toda la presión del tanque.
  - Gire el mango de la bomba en sentido antihorario para retirar la bomba.
  - Llene el tanque hasta el nivel deseado. Vea las marcas de llenado al lado del tanque. (Siempre consulte al fabricante de la sustancia química para saber cómo mezclar correctamente).
  - Instale la bomba en la abertura del tanque y gírela en sentido horario hasta que se selle de forma ajustada en el tanque





## Encendido y rociado

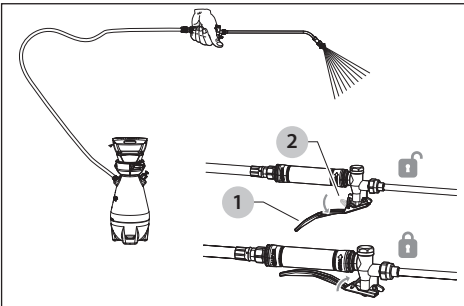
**▲ ADVERTENCIA: RIESGO DE ROCIADO NO DESEADO Y EXPOSICIÓN QUÍMICA.** Asegúrese de que la válvula de cierre esté en posición cerrada (palanca suelta) antes de presionar el botón de encendido. El atomizador rociará si la válvula de cierre está abierta (palanca presionada) cuando el botón de encendido se presione. Solo rocíe cuando el aire esté calmado (sin viento o movimientos en el aire) para evitar el rociado de químicos en áreas no deseadas.

1. La bomba PumpZero debe cargarse para que el atomizador funcione. Ver Carga de la batería interna de la bomba.
2. Presione el botón de encendido de la bomba y empiece a presurizar el tanque.
  - a. La luz en la parte superior debería ponerse de color verde y se debería escuchar un zumbido que indique que la bomba funciona y presuriza el tanque.
  - b. La bomba se apagará cuando el tanque esté presurizado. Este proceso podría tomar desde 30 segundos hasta varios minutos según el tamaño del tanque y la cantidad de líquido que contenga..
  - c. Se puede comenzar a rociar antes de que el tanque esté completamente presurizado, pero para evitar un patrón de rociado subóptimo, se recomienda esperar al menos 20 segundos para permitir que se acumule algo de presión en el tanque.
3. Apunte la varilla en la dirección de rociado deseada y presione la palanca de cierre.
4. Para un rociado continuo, presione la palanca y rote el bloqueo para mantener la palanca en la posición presionada.
5. Retire el seguro si es necesario y suelte la palanca de la válvula de cierre para dejar de rociar.
6. Para apagar el atomizador presione el botón de encendido. La luz se apagará.
7. Tenga en cuenta que el tanque seguirá presurizado incluso cuando la bomba esté apagada.
8. Siempre retire los elementos químicos y limpie el atomizador cuando lo deje de usar. Ver Limpieza y almacenamiento.

## LIMPIEZA

### Limpieza y almacenamiento

- ▲ ADVERTENCIA:** Siempre libere la presión del rociador antes de limpiar. El desmontaje de un pulverizador que todavía está presurizado puede provocar la expulsión de componentes a alta velocidad.
- ▲ ADVERTENCIA: RIESGO DE LESIONES PERSONALES DEBIDO A EXPOSICIÓN QUÍMICA.** Siempre use equipo de protección personal adecuado según las instrucciones del fabricante químico cuando use, prepare, maneje, rocíe o deseche los químicos. Este equipo debe incluir, como mínimo, gafas de seguridad, guantes y ropa protectora.
- ▲ ADVERTENCIA: RIESGO DE DAÑO DE COMPONENTES INTERNOS.** La falta de enjuague adecuado del atomizador podría permitir que se acumulen residuos químicos que pueden obstruir o dañar los filtros, la bomba, la válvula de cierre, la varilla y la boquilla. La acumulación de residuos químicos también puede contaminar las aplicaciones subsiguientes. Dejar líquidos químicos en el atomizador cuando no está en uso podría causar su desgaste prematuro. Nunca guarde el atomizador con elementos químicos en ninguna de sus piezas.
1. Apague la bomba al presionar el botón de encendido. La luz en la parte superior de la bomba debería apagarse.
  2. Tome la válvula de alivio de presión por el costado del tanque y júlela con gentileza hasta que el aire dentro del tanque deje de salir.
  3. Retire la bomba del tanque al girar en sentido antihorario. Evite colocar la bomba donde podría contaminarse con suciedad, pedazos de hierbas o restos que podrían entrar después en el tanque.
  4. Vacíe cualquier químico adicional del tanque en un contenedor adecuado para usarlo después o desecharlo según las instrucciones del fabricante de la sustancia química.
  5. Utilice agua limpia para vaciar el tanque y enjuagarlo completamente hasta retirar todas las sustancias químicas.
  6. Utilice un trapo húmedo para limpiar el fondo de la bomba hasta sacar todas las sustancias químicas y los residuos. No enjuague la bomba con una manguera ni la sumerja en agua, ya que el agua puede ingresar en la carcasa y puede dañar los componentes eléctricos, provocar la inoperatividad de la bomba y anular la garantía.
  7. Agregue aproximadamente un cuarto de galón (1 litro) de agua limpia al tanque.
  8. Fije la bomba al tanque y ajuste con firmeza.
  9. Presione el botón de encendido para que la bomba presurice el tanque.



10. Con agua limpia en el tanque, rocíe agua por la manguera, la válvula de cierre, la varilla y la boquilla por al menos 30 segundos con la finalidad de enjuagarlas. La falta de un enjuague adecuado de la manguera, la válvula de cierre, la varilla y la boquilla podría permitir que se acumulen residuos químicos que pueden obstruir o dañar los componentes. Después de un uso intensivo, enjuagar la boquilla podría no ser suficiente para eliminar los residuos. La boquilla podría requerir limpieza con un pequeño cepillo.
11. Para apagar la bomba, presione el botón de encendido.
12. Active la válvula de alivio de presión por el costado del tanque para aliviar la presión.
13. Retire la bomba. Evite colocar la bomba donde podría contaminarse con suciedad, pedazos de hierbas o restos que podrían entrar después en el tanque.
14. Abra la válvula de cierre (presione la palanca) para drenar cualquier resto de agua de la manguera, la válvula de cierre y la varilla.
15. Vacíe cualquier resto de agua del tanque.
16. Deje que el atomizador se seque. Esto se logra de forma más efectiva al colgar el tanque boca abajo y dejarlo drenar.
17. Una vez que el atomizador esté seco, gire el atomizador a la forma vertical y ensamble sin apretar la bomba con el tanque para evitar ingresen restos al tanque.
18. Guarde el atomizador, la bomba, y el cargador en interiores en un lugar templado y seco, fuera del alcance de la luz solar directa y lejos de cualquier fuente de humedad o calor intenso. No guarde el atomizador donde haya temperaturas gélidas (debajo de 32°F/0°C). Permitir que el agua se congele dentro del atomizador puede causar daños a la bomba, los sellos, la válvula de cierre u otros componentes, y anulará la garantía del atomizador.
19. Para asegurar la vida óptima de la batería, esta debe cargarse al menos una vez cada 3 meses cuando no esté en uso. Ver Carga de la batería interna de la bomba.

## MANTENIMIENTO

**▲ ADVERTENCIA:** Antes de realizar el mantenimiento, siempre despresurice el atomizador al apagar la bomba y la válvula de alivio de presión hasta que no quede presión en el tanque.

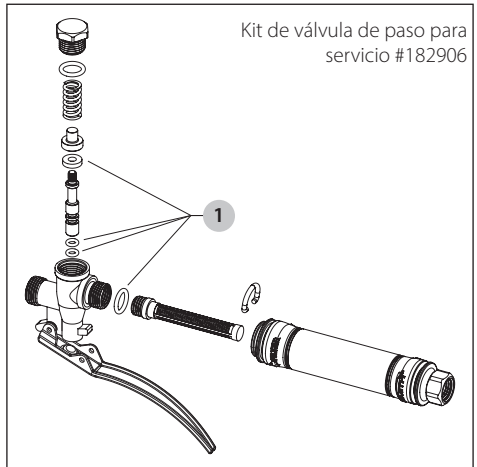
### Mantenimiento de la boquilla

1. Si la boquilla se atasca, retírela y desarme el conjunto de la boquilla.
2. Retire todas las obstrucciones presentes en las aberturas y vuelva a ensamblar.
3. Debe limpiar las boquillas de latón con un cepillo de dientes y detergente. No use un cepillo metálico ni objetos afilados en la boquilla. Si hay un atasco difícil, sumerja la boquilla de latón en xileno y límpiela con un cepillo.

### Mantenimiento de la Válvula de Paso (Kit de Reparación)

**▲ ADVERTENCIA:** Siempre despresurice el atomizador antes de dar mantenimiento, cerrando la válvula de paso y atomizando el contenido.

1. Destornille el mango del conjunto de la válvula de paso.
2. Desatornille la tapa de la válvula y quite los componentes y sellos del tallo de la válvula, como se muestra. Limpie los componentes con agua limpia y fresca.
3. Limpie los residuos del interior de la manija y el cuerpo de la válvula de paso. Revise si hay desgaste en las juntas tóricas o los sellos (1) y reemplácelos si es necesario.
4. Vuelva a ensamblar los componentes como se muestra, y apriete bien la manija y la tapa de la válvula.



## CUMPLIMIENTO DE FCC:

El dispositivo cumple con la parte 15 de las normas de FCC. El uso está sujeto a las siguientes dos condiciones: (1) Este dispositivo no puede causar interferencias perjudiciales, y (2) este dispositivo debe aceptar cualquier interferencia recibida, incluidas las interferencias que puedan causar un funcionamiento no deseado.

Nota: Este equipo se ha probado y cumple con los límites para un dispositivo digital de Clase B, de conformidad con la parte 15 de las normas de FCC. Estos límites están diseñados para proporcionar una protección razonable contra interferencias perjudiciales en una instalación residencial. Este equipo genera, utiliza y puede emitir energía de radiofrecuencia y, si no se instala y utiliza de acuerdo con las instrucciones, puede causar interferencias perjudiciales en las comunicaciones de radio. Sin embargo, no hay garantía de que no se produzcan interferencias en una instalación en particular. Si este equipo causa interferencias perjudiciales en la recepción de radio o televisión, lo cual puede determinarse al encender y apagar el equipo, se recomienda al usuario que intente corregir la interferencia mediante una o más de las siguientes medidas:

- Reoriente o reubique la antena receptora.
- Aumente la separación entre el equipo y el receptor.
- Conecte el equipo a un tomacorriente en un circuito diferente al que está conectado el receptor.
- Consulte con el distribuidor o con un técnico de radio/TV experimentado para obtener ayuda.

### Canada IC:

CAN ICES-3 (B)/NMB-3(B)

## Fabricado bajo licencia por:

*The Fountainhead Group, Inc.*  
23 Garden Street  
New York Mills, NY 13417 U.S.A.

Fax: (315) 768-4220

Correo electrónico: [info@TheFGI.com](mailto:info@TheFGI.com)  
[www.TheFountainheadGroup.com](http://www.TheFountainheadGroup.com)

## Preguntas frecuentes

Consulte las preguntas frecuentes específicas del producto en <https://www.thefountainheadgroup.com>.

## Números de patentes

Consulte los números de patentes específicos del producto en <https://www.thefountainheadgroup.com>.

## Refacciones

Consulte las refacciones específicas del producto en <https://www.thefountainheadgroup.com>.

## Garantía

Consulte la garantía específica del producto en <https://www.thefountainheadgroup.com>.

## GUÍA DE RESOLUCIÓN DE PROBLEMAS

### ASEGÚRESE DE SEGUIR LAS INSTRUCCIONES Y LAS REGLAS DE SEGURIDAD

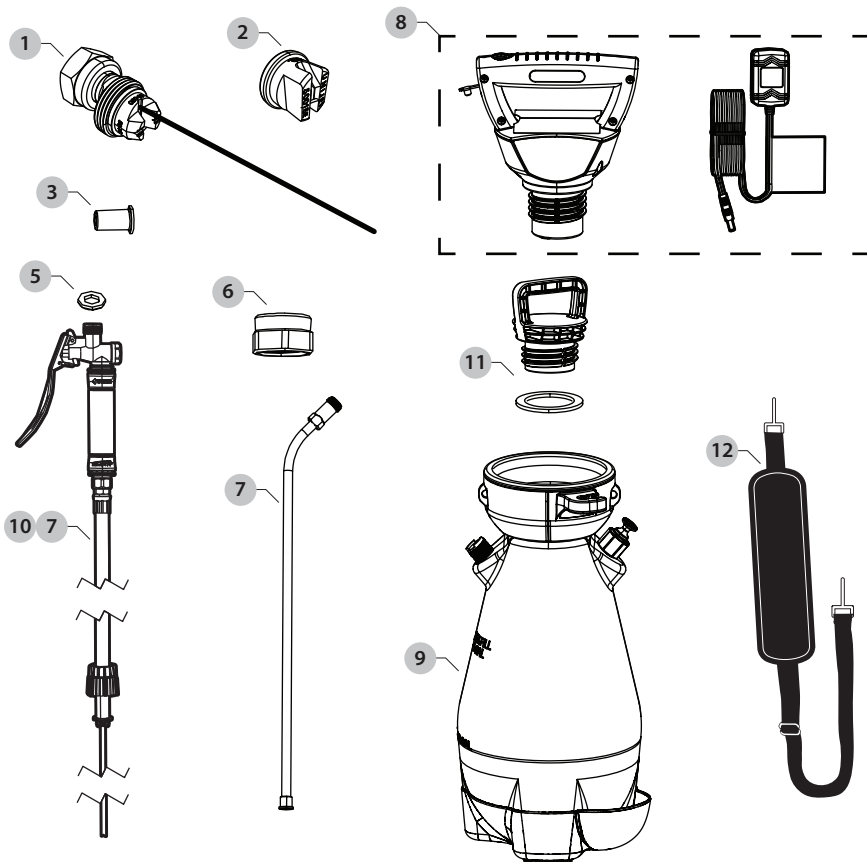
Para asistencia con su producto, visite nuestro sitio web en [www.thefountainheadgroup.com](http://www.thefountainheadgroup.com) o llámenos a 1-800-311-9903.

PROBLEMA	BUSCAR	SOLUCIÓN
El atomizador no se enciende cuando el botón de encendido está presionado (no se escucha el zumbido audible de la bomba).	La batería no está cargada. La luz no se enciende.	Cargue la bomba si ninguna luz está encendida. Ver Carga de la batería interna de la bomba.
	La bomba está dañada, sobrecalentada o inoperativa. Inspeccione visualmente la bomba en busca de daños. Utilice el cargador para diagnosticar cualquier problema de batería. Ver Carga de la batería interna de la bomba.	Reemplace la bomba si está dañada o si no funciona. Deje que la batería se enfríe si está sobrecalentada.
	El tanque ya está presurizado y, por eso, la bomba se apagó automáticamente.	Abra la válvula de cierre (presione la palanca) para ver si el atomizador empieza a rociar.
	La bomba está conectada al cargador.	Desconecte el cargador.
El atomizador se enciende (se escucha el zumbido de la bomba) pero no rocía.	No hay líquido en el tanque..	Agregue líquido al tanque. Ver Llenado del atomizador.
	La válvula de cierre está obstruida.	Limpie la válvula de cierre. Ver Mantenimiento de la válvula de cierre.
	La boquilla está obstruida.	Limpie la boquilla. Ver Mantenimiento de la boquilla.
	La bomba no está ajustada al tanque, hay fugas en el sello.	Ajuste la bomba al tanque.
El atomizador se enciende pero solo rocía en presión baja.	El tanque aún no está presurizado.	Permita tiempo para que la bomba presurice el tanque (al menos 20 segundos)..
	Hay fuga de aire del tanque en el sello.	Ajuste la bomba al tanque.
	El sello del tanque o las superficies del sello están dañados.	Reemplace el sello del tanque.
	La válvula de cierre está obstruida.	Limpie la válvula de cierre. Ver Mantenimiento de la válvula de cierre.
	La boquilla está obstruida.	Limpie la boquilla. Ver Mantenimiento de la boquilla.
La manguera gotea en la conexión del tanque.	Manguera agrietada, hinchada o defectuosa.	Reemplace el ensamblaje de la válvula de cierre.
	Conexión dañada.	Reemplace el ensamblaje de la válvula de cierre.
La manguera gotea en la válvula de cierre.	Manguera agrietada, hinchada o defectuosa.	Reemplace el ensamblaje de la válvula de cierre.
	Conexión dañada.	Reemplace el ensamblaje de la válvula de cierre.

PROBLEMA	BUSCAR	SOLUCIÓN
La boquilla chorrea cuando la palanca de la válvula de cierre se libera.	Suciedad o residuos en la válvula de cierre.	Limpie el ensamblaje de la válvula de cierre.
	Junta tórica o sello dañado en el dispositivo de cierre.	Reemplace el ensamblaje de la válvula de cierre.
Patrón de rociado deficiente.	El tanque no está presurizado.	Encienda la bomba.
	No hay luces iluminadas en la bomba. El cargador está conectado al tomacorriente.	Limpie la boquilla. Ver Mantenimiento de la boquilla.
	Boquilla dañada.	Reemplace la boquilla.
	La válvula de cierre está obstruida.	Limpie la válvula de cierre. Ver Mantenimiento de la válvula de cierre.
La batería no carga.	El cargador no está conectado al tomacorriente.	Conecte el cargador al tomacorriente.
	No hay luces encendidas en la bomba. Cargador enchufado a una toma de corriente.	Revise que el tomacorriente funcione.
	No hay luces iluminadas en la bomba. El cargador está conectado al tomacorriente, el tomacorriente funciona.	Reemplace el cargador.
	La luz roja sigue parpadeando en la bomba (la temperatura de la batería es muy alta para cargar con seguridad).	Deje que la bomba se enfríe.
	Luces de color rojo y verde parpadean alternativamente en la bomba (la batería no puede cargarse).	Reemplace la bomba.

# JUEGOS, PIEZAS Y ACCESORIOS

No. DE CLAVE	No. DE PIEZA	DESCRIPTION
1	182379	Boquilla, 4 vías, latón, SPS
2	185158	Punta unijet de acero inoxidable, Boquilla 50015E-SS
3	176332	Válvula de retención TEEJET -5, negra, 5 psi, 11750
4	183293	Conjunto de extensión de 18 pulg., latón
5	182641	Sello, Viton, extensión, S/S (se requieren 2 en cada sitio)
6	183296	Tuerca, extensión de latón
7	184741	Conjunto de manguera, NPT y estriada para tanque, nylon y caucho, D.I. 0.313 x 50 L, negra
8	184175	Kit de válvula de paso para servicio #182906
9	185225	Conjunto de tanque, 1 gal., con PRV de Viton (natural/blanco)
10	183300	Conjunto de válvula de paso, latón, S103E, SPS
11	184242	Conjunto de tapón y junta, rojo
12	184536	Correa, acojinada, profesional, 64 pulg., C/A





**THE  
FOUNTAINHEAD  
GROUP**

Craftsmanship, Innovation, Commitment

*[www.thefountainheadgroup.com](http://www.thefountainheadgroup.com)*