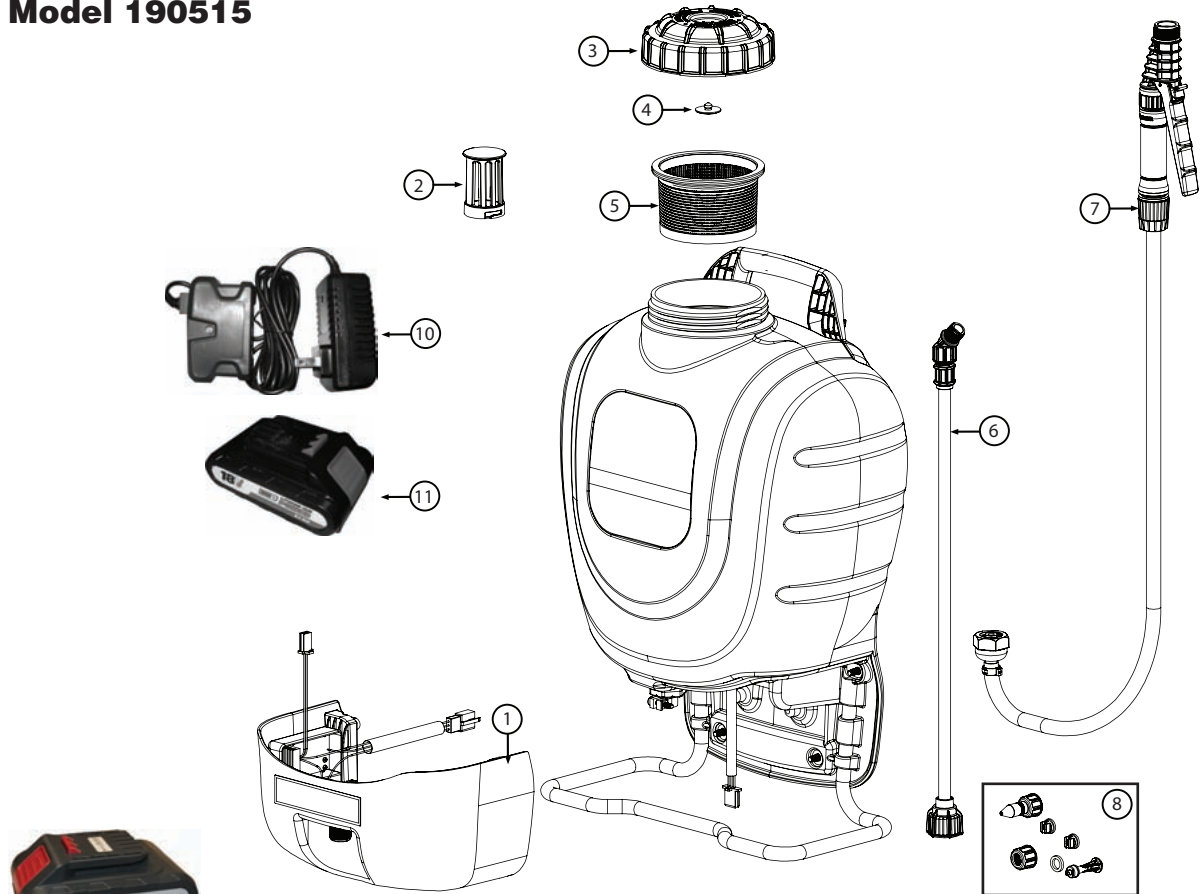


KITS, PARTS & ACCESSORIES

Model 190515



KEY #	PART #	DESCRIPTION
1	183422	PUMP UNIT, S2E
2	183418	IN-TANK FILTER
3	181446	CAP, TANK, SS1
4	171015V	CHECK VALVE, VITON, CA
5	181564	FILTER BASKET ASSY
6	181824	WAND ASSY, 21", PP, SMII
7	183176	HOSE & SHUTOFF ASSY, S2, SMII
8	181870	KIT, BRASS NOZZLES, SMII
9	183420	HARNESS, S2E
10	183615	CHARGER, US, LI-ION, 18V, COMPACT
11	183612	BATTERY PACK, LI-ION, 18V 2.0Ah
OPTIONAL ACCESSORIES		
12	183613	BATTERY PACK, LI-ION, 18V 4.0Ah
13	183416	CHARGER, US, LI-ION, 18V, FAST
14	183831	CHARGER, US, LI-ION, 18V, VEHICLE



SERVICE KITS, PARTS & ACCESSORIES ARE AVAILABLE BY CONTACTING

The Fountainhead Group, Inc. - Customer Service Center

Monday - Friday 8 A.M. - 5 P.M., EST Toll Free: 1-800-311-9903 e-mail: Info@TheFGI.com

Access online at: www.TheFountainheadGroup.com