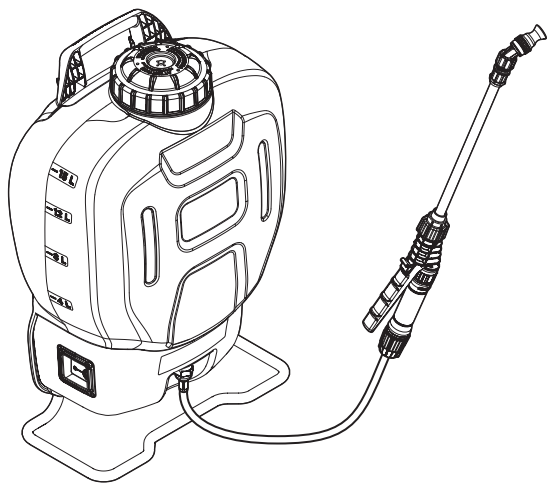


BLACK+ DECKER™

INSTRUCTION MANUAL
MANUEL D'INSTRUCTIONS
MANUAL DE INSTRUCCIONES

Electric Backpack Sprayer



190657

Please read before returning this product for any reason.
À lire avant de retourner ce produit pour quelque raison que ce soit.
Por favor, lea antes de devolver este producto por cualquier razón.

CONTENTS

IMPORTANT SAFETY INSTRUCTIONS	3
CHEMICAL USE SAFETY	3
SPRAYER SAFETY	3
<i>Additional Safety Information</i>	4
THE RBRC® SEAL	4
ASSEMBLY	4
<i>Package Contents</i>	4
<i>Nozzle Functionality and Uses</i>	5
<i>Assembling the Sprayer</i>	5
<i>Attaching a Nozzle</i>	5
<i>Attaching the Harness</i>	5
OPERATION	6
BATTERIES AND CHARGERS	6
<i>Important Safety Instructions for All Battery Chargers</i>	6
<i>Important Safety Instructions for All Battery Packs</i>	7
<i>Battery Tool Use and Care</i>	7
<i>Service</i>	8
<i>Battery Indicators</i>	8
<i>Charging the Battery</i>	8
<i>Filling the Sprayer</i>	9
<i>Installing the Battery</i>	10
<i>Removing the Battery</i>	10
<i>Battery Life Indicator</i>	10
<i>Spraying</i>	10
CLEANING	11
<i>Battery Pack Cleaning</i>	11
<i>Charger Cleaning Instructions</i>	11
STORAGE	12
TRANSPORTATION	12
MAINTENANCE	12
<i>Repairs</i>	12
<i>Shut-Off Assembly Maintenance</i>	12
<i>Nozzle Maintenance</i>	12
<i>Cap and Strainer Basket Maintenance</i>	12
<i>In-Tank Filter Maintenance</i>	13
BATTERY AND CHARGER TWO-YEAR LIMITED WARRANTY	13
SPRAYER TWO YEAR LIMITED WARRANTY	14

IMPORTANT SAFETY INSTRUCTIONS

DEFINITIONS

- ▲ **DANGER:** Indicates a hazardous situation that, if not avoided, will result in death or serious injury.
- ▲ **WARNING:** Indicates a hazardous situation that, if not avoided, could result in death or serious injury.
- ▲ **CAUTION:** Indicates a hazardous situation that, if not avoided, could result in minor or moderate injury.

NOTICE: Indicates information considered important, but not hazard-related (e.g. messages relating to property damage).

CHEMICAL USE SAFETY

- ▲ **DANGER:** RISK OF DEATH, SEVERE PERSONAL INJURY, AND/OR PROPERTY DAMAGE FROM IMPROPER CHEMICAL USE OR MIXTURE.

- Never use flammable or combustible chemicals in this sprayer. Spraying flammable or combustible chemicals can create combustible fumes that could be ignited, causing an explosion.
- Use only chemicals indicated for spraying applications. Some chemicals may create a toxic or other hazardous atmosphere when sprayed.
- Always refer to chemical manufacturer's instructions and/or the chemical Safety Data Sheet (SDS) for proper mixture and safe application.

SPRAYER SAFETY

- ▲ **WARNING:** RISK OF PERSONAL INJURY AND/OR PROPERTY DAMAGE DUE TO CHEMICAL EXPOSURE.

- Read and understand the entire instruction manual before using this sprayer.
- Follow all instructions and precautions in the instruction manual when using this sprayer.
- Read and follow all instructions and precautions on chemical manufacturer's label of chemicals used in this sprayer.
- Use the appropriate Personal Protective Equipment (PPE) as recommended by the chemical manufacturer and/or refer to the chemical Safety Data Sheet (SDS) of the chemical being used. This includes at least goggles, gloves, and protective clothing. Failure to use appropriate PPE could result in chemical exposure through skin contact, eye contact, inhalation, or other means.

- After initial assembly, extended storage, or any possibly damaging event, such as a fall, always inspect the sprayer for damage, and test it with plain water to check for proper function. Ensure all connections are secure and leak free, and the hose is free from damage, prior to using the sprayer with chemical.

- Always inspect the hose and all connections before each use. A damaged hose or loose connections could result in an uncontrolled high pressure discharge of chemical.
- Do not spray near open flame, hot surfaces, or anything that could vaporize the spray. Doing so could create a dangerous chemical atmosphere.
- Never use caustics, bleach, acids, hot water, or pressure producing chemicals in this sprayer.
- Keep the sprayer and all chemicals out of the reach of children and pets.
- Only spray when the air is calm (no wind or air movement) to prevent chemical spray from drifting onto non-targeted surfaces.
- Always release pressure when the sprayer is not in use and before removing the pump from the tank.
- Never store chemicals in the sprayer.
- Store or dispose of any unused chemicals as instructed by the chemical manufacturer due to the potential for environmental damage from a spill or leak, and/or refer to the disposal criteria referenced in the SDS.
- Clean and rinse the sprayer after each use to avoid unintended chemical exposure and prevent contamination of subsequent applications.
- Store the sprayer in a warm, dry, dust-free location out of direct sunlight.

- ▲ **WARNING:** RISK OF PERSONAL INJURY AND/OR PROPERTY DAMAGE DUE TO RUPTURE AND/OR UNCONTROLLED HIGH PRESSURE DISCHARGE OF LIQUID CHEMICAL.

- Never modify or alter the sprayer from original condition. Never heat or alter the hose, hose nut, or barb. Doing so could weaken the components and/or connections.
- Use only replacement parts from original manufacturer. Other replacement parts are not compatible with this sprayer.
- Never pressurize the sprayer with any device other than the pump supplied by the original manufacturer. Use of an air compressor or other non-standard device to pressurize the tank could exceed the safe working pressure of the sprayer.

- Do not lift, carry, or pull the sprayer by the hose, shut-off valve, or wand extension. Doing so could weaken the components and/or connections. Carry by the handle or harness only, making sure the connections are properly secured before lifting.
- To reduce the risk of electrical shock, do not put the sprayer in water or other liquid. Do not place or store the sprayer where it can fall or be pulled into a tub or sink.

Additional Safety Information

- ▲ **WARNING:** Never modify the sprayer or any part of it. Damage or personal injury could result.

SAVE THESE INSTRUCTIONS FOR FUTURE USE

THE RBRC® SEAL

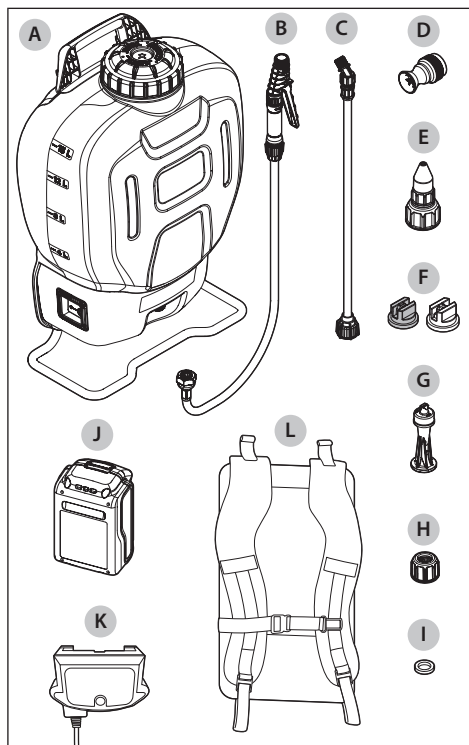
Please take your spent battery packs to an authorized BLACK+DECKER service center or to your local retailer for recycling. In some areas, it is illegal to place spent battery packs in the trash. You may also contact your local recycling center for information on where to drop off the spent battery pack. Do not place in curbside recycling. For more information visit www.call2recycle.org, or call the toll free number in the RBRC® Seal. RBRC® is a registered trademark of Call 2 Recycle, Inc.



ASSEMBLY

- ▲ **WARNING: RISK OF PERSONAL INJURY AND/OR PROPERTY DAMAGE DUE TO CHEMICAL EXPOSURE.** After initial assembly, always inspect the sprayer for damage, and test it with plain water to check for proper function. Ensure all connections are secure and leak free, and the hose is free from damage, prior to using the sprayer with chemicals.
- ▲ **WARNING:** Only use attachments recommended or sold by the manufacturer.

Package Contents



- A Sprayer
- B Shut-off Assembly
- C Wand
- D Dry-Touch Adapter
- E Adjustable Cone Nozzle
- F Red and Yellow Fan Nozzles
- G Foaming Nozzle
- H Cap Nut
- I Flat Seal
- J Battery
- K Battery Charger
- L Harness

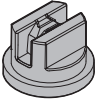
Nozzle Functionality and Uses

Foaming Nozzle



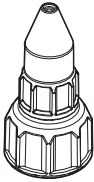
- Spot spraying in or around flower beds, trees, and shrubs.
- Edging along fences, driveways, and walkways.
- Killing brush such as poison ivy, poison oak, kudzu, and wild blackberry.
- Preparing garden beds for planting of ornamentals and vegetables.

Red High-Volume Nozzle



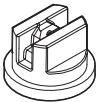
- Replacing lawns. Kills lawn and weeds before planting a new lawn.
- Preparing large areas for planting of ornamental and vegetable gardens.

Adjustable Cone Nozzle



- Spot spraying in flower beds, walkways, driveways, and patios, around trees and shrubs.
- Edging along fences, driveways, and walkways.
- Killing brush such as poison ivy, poison oak, kudzu, and wild blackberry.

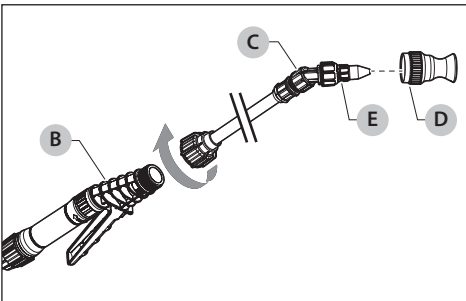
Yellow Low-Volume Nozzle



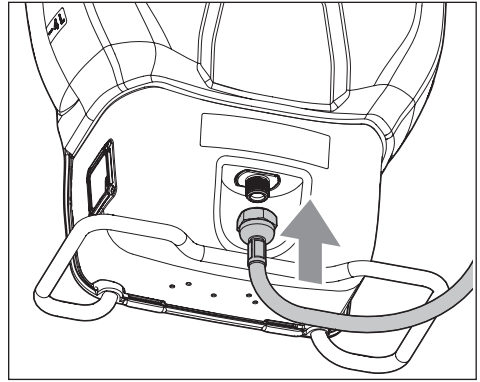
- Precision spraying in confined areas such as gardens and flower beds.

Assembling the Sprayer

1. Install the wand (C) onto the shut-off assembly (B) and tighten the nut (1) on the wand (C) to secure together.
2. (Optional) Use the Dry-Touch adapter for a no contact, chemical free adjustment.

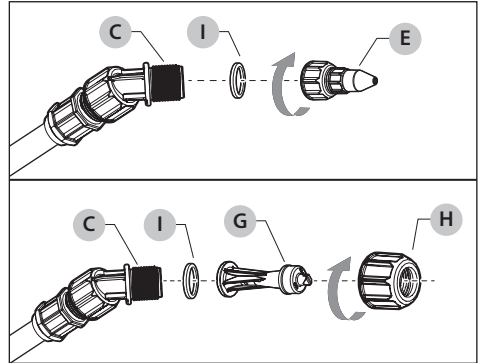


3. Attach the shut-off assembly to the sprayer body.



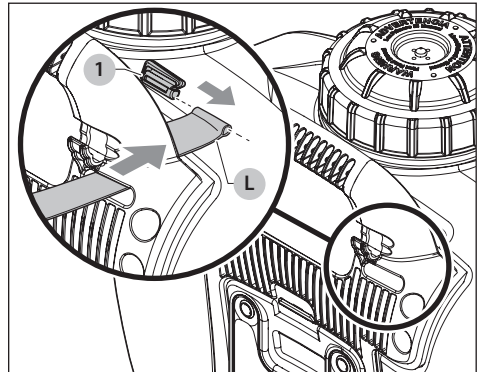
Attaching a Nozzle

Attach your selected nozzle (E – G) onto the end of the wand (C) using a flat washer (I) and tighten securely using the cap nut (H).

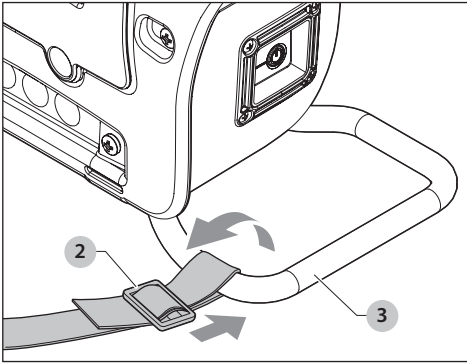


Attaching the Harness

1. For each side, remove the small plastic clips (1) from the two shoulder strap loops and thread each loop through the slots at the top of the handle.
2. Replace the clips (1) through the loops and pull the strap securing the two shoulder straps in place.



- For the lower straps, remove the strap from the top portion of the buckles (2) and place around the foot stand (3), starting from underneath.
- Loop the strap through the first section of the buckle (2). Then loop the strap through the other section of the buckle (2) to tighten. Adjust the shoulder pads and strap lengths for a comfortable fit.



OPERATION

▲ WARNING: RISK OF PERSONAL INJURY DUE TO CHEMICAL EXPOSURE. Use the appropriate Personal Protective Equipment (PPE) as recommended by the chemical manufacturer and/or refer to the chemical Safety Data Sheet (SDS) of the chemical being used. This includes at least goggles, gloves, and protective clothing.

▲ WARNING: To reduce the risk of serious personal injury, turn unit OFF and remove the battery pack before making any adjustments or removing/installing attachments or accessories. An accidental start-up can cause injury.

BATTERIES AND CHARGERS

The battery pack is not fully charged out of the carton. Before using the battery pack and charger, read the safety instructions below and then follow charging procedures outlined. When ordering replacement battery packs, be sure to include the catalog number and voltage.

Important Safety Instructions for All Battery Chargers

▲ WARNING: Read all safety warnings, instructions, and cautionary markings for the battery pack, charger, and product. Failure to follow the warnings and instructions may result in electric shock, fire, and/or serious injury.

- DO NOT attempt to charge the battery pack with any chargers other than a BLACK+DECKER charger.** BLACK+DECKER chargers and battery packs are specifically designed to work together.

- These chargers are not intended for any uses other than charging BLACK+DECKER rechargeable battery packs.** Charging other types of battery packs may cause them to overheat and burst, resulting in personal injury, property damage, fire, electric shock, or electrocution.

- Do not expose the charger to rain or snow.**

- Do not allow water or any liquid to enter the charger.**

- Pull by the plug rather than the cord when disconnecting the charger.** This will reduce the risk of damage to the electric plug and cord.

- Make sure that the cord is located so that it will not be stepped on, tripped over, or otherwise subjected to damage or stress.**

- Do not use an extension cord unless it is absolutely necessary.** Use of improper extension cord could result in risk of fire, electric shock, or electrocution.

- When operating a charger outdoors, always provide a dry location and use an extension cord suitable for outdoor use.** Use of a cord suitable for outdoor use reduces the risk of electric shock.

- An extension cord must have adequate wire size (AWG or American Wire Gauge) for safety.** The smaller the gauge number of the wire, the heavier the cord and thus the greater its capacity. An undersized cord will cause a drop in line voltage resulting in loss of power and overheating. The following table shows the correct size to use depending on total length of all extension cords plugged together, and nameplate ampere rating. If in doubt, use the next heavier gauge.

Minimum Gauge for Cord Sets

Volts		Total Length of Cord in Feet (meters)			
120V		25 (7.6)	50 (15.2)	100 (30.5)	150 (45.7)
Ampere Rating		American Wire Gauge			
More Than	Not More Than				
0	6	18	16	16	14
6	10	18	16	14	12
10	12	16	16	14	12
12	16	14	12	Not Recommended	

- Do not place any object on top of the charger.** Place the charger in a position away from any heat source.

- Do not operate the charger with a damaged cord or plug—have them replaced immediately.**

- **Do not operate the charger if it has received a sharp blow, been dropped, or otherwise damaged in any way.** Take it to an authorized service center.
- **Do not disassemble the charger; take it to an authorized service center when service or repair is required.** Incorrect reassembly may result in a risk of electric shock, electrocution, or fire.
- **The charger is designed to operate on standard 120V household electrical power.** Do not attempt to use it on any other voltage.
- **Foreign materials of a conductive nature, such as, but not limited to, grinding dust, metal chips, steel wool, aluminum foil, or any buildup of metallic particles should be kept away from the charger cavities.**
- **Always unplug the charger from the power supply when there is no battery pack in the cavity.**
- **Do not incinerate the battery pack even if it is severely damaged or is completely worn out.** The battery pack can explode in a fire. Toxic fumes and materials are created when lithium-ion battery packs are burned.
- **If battery contents come into contact with the skin, immediately wash area with mild soap and water.** If battery liquid gets into the eye, rinse water over the open eye for 15 minutes or until irritation ceases. If medical attention is needed, the battery electrolyte is composed of a mixture of liquid organic carbonates and lithium salts.
- **Contents of opened battery cells may cause respiratory irritation.** Provide fresh air. If symptoms persist, seek medical attention.
- **Battery liquid may be flammable if exposed to spark or flame.**
- **Never attempt to open the battery pack for any reason. If the battery pack case is cracked or damaged, do not insert into the charger.** Do not crush, drop or damage the battery pack. Do not use a battery pack or charger that has received a sharp blow, been dropped, run over or damaged in any way (e.g., pierced with a nail, hit with a hammer, stepped on).
- Damaged battery packs should be returned to the service center for recycling.

Important Safety Instructions for All Battery Packs

▲ WARNING: Read all safety warnings, instructions, and cautionary markings for the battery pack, charger, and product. Failure to follow the warnings and instructions may result in electric shock, fire, and/or serious injury.

- **Do not charge or use the battery pack in explosive atmospheres, such as in the presence of flammable liquids, gases or dust.** Inserting or removing the battery pack from the charger may ignite the dust or fumes.
 - **NEVER force the battery pack into the charger. DO NOT modify the battery pack in any way to fit into a non-compatible charger as battery pack may rupture causing serious personal injury.**
 - **Charge the battery packs only in BLACK+DECKER chargers.**
 - **DO NOT splash or immerse in water or other liquids.**
 - **DO NOT allow water or any liquid to enter battery pack.**
 - **Do not store or use the tool and battery pack in locations where the temperature may reach or exceed 104 °F (40 °C) (such as outside sheds or metal buildings in summer).** For best life store battery packs in a cool, dry location.
- NOTE: Do not store the battery packs in a tool with the trigger switch locked on. Never tape the trigger switch in the ON position.**

Battery Tool Use and Care

- **Recharge only with the charger specified by the manufacturer.** A charger that is suitable for one type of battery pack may create a risk of fire when used with another battery pack.
- **Use power tools only with specifically designated battery packs.** Use of any other battery packs may create a risk of injury and fire.
- This sprayer is provided with Black + Decker battery pack LBRX2020 and Charger LCS1620.

Compatible battery packs and chargers*

20V Max** Li-Ion	Battery Packs	LBXR20, LBXR20BT***, LBXR2020, LBXR2520, LB2X3020, LB2X4020
	Chargers	LCS20, L2AFC, L2AFCBST, LCS201, LCS1620, L2AFC, L2AFCBST, LCS200, BDCA202

*Battery packs listed are compatible with each other and the sprayer.

**Maximum initial battery voltage (measured without a workload) is 20 volts. Nominal voltage is 18.

***BT - Bluetooth®

NOTE: The Bluetooth® word mark and logos are registered trademarks owned by the Bluetooth®, SIG, Inc. and any use of such marks by Black + Decker is under license. Other trademarks and trade names are those of their respective owners.

ENGLISH

▲ WARNING: Use of any other battery packs may create a risk of injury and fire.

• **When battery pack is not in use, keep it away from other metal objects, like paper clips, coins, keys, nails, screws or other small metal objects, that can make a connection from one terminal to another.**

Shorting the battery terminals together may cause burns or a fire.

• **Under abusive conditions, liquid may be ejected from the battery; avoid contact. If contact accidentally occurs, flush with water. If liquid contacts eyes, additionally seek medical help. Liquid ejected from the battery may cause irritation or burns.**

• **Do not use a battery pack or tool that is damaged or modified.** Damaged or modified batteries may exhibit unpredictable behavior resulting in fire, explosion or risk of injury.

• **Do not expose a battery pack or tool to fire or excessive temperature.** Exposure to fire or temperature above 265 °F (130 °C) may cause explosion.

• **Follow all charging instructions and do not charge the battery pack or tool outside the temperature range specified in the instructions.** Charging improperly or at temperatures outside the specified range may damage the battery and increase the risk of fire.

Service

• **Have your power tool serviced by a qualified repair person using only identical replacement parts.** This will ensure that the safety of the power tool is maintained.

• **Never service damaged battery packs.** Service of battery packs should only be performed by the manufacturer or authorized service providers.

Battery Indicators



Charging



Fully Charged



Hot/Cold Pack Delay



Bad Battery



Charging the Battery

▲ WARNING: Do not charge the battery pack in extreme temperatures. It is recommended to charge the battery pack in ambient temperatures between 32 and 104°F (0 and 40°C).

To charge the battery:

1. Plug the charger into an appropriate outlet.
2. Insert and fully seat the battery pack. The green charging light will continuously blink while charging.
3. Charging is complete when the green light remains continuously ON. You can leave the battery pack in the charger or remove it.

NOTE: The charger will not charge a faulty battery pack, which may be indicated by the light staying OFF or the red light rapidly blinking. Take the charger and battery pack to an authorized service center if the light stays OFF or the red light rapidly blinks.

NOTE: Refer to the label near the charging light on the charger for blink patterns.

Hot/Cold Pack Delay

When the charger detects a battery pack that is too hot or too cold, it automatically starts a hot/cold pack delay. This delay suspends charging until the battery pack has reached an appropriate temperature. The charger then automatically switches to the pack charging mode, ensuring maximum battery pack life.

A cold battery pack may charge at a slower rate than a warm battery pack. The hot/cold pack delay is indicated by the red light continuously flashing a short ON followed by a longer ON (see charger for blink pattern). Once the battery pack has reached an appropriate temperature, the charger resumes charging.

Electronic Protection System

Li-Ion tools are designed with an Electronic Protection System that protects the battery pack against overloading, overheating, or deep discharge.

Important Charging Notes

The charger and battery pack may become warm to the touch while charging. This is normal and does not indicate a problem. To facilitate the cooling of the battery pack after use, avoid placing the charger or battery pack in a warm environment such as in a metal shed or an uninsulated trailer.

If the battery pack does not charge properly:

- Check operation of the receptacle by plugging in a lamp or other appliance.
- Check to see if the receptacle is connected to a light switch which turns power OFF when you turn off the lights.
- If charging problems persist, take the product, battery pack, and charger to your local service center.

You may charge a partially-used pack at any time with no adverse effect on the battery pack.

BLACK+DECKER Battery and Charger Systems

Chargers/Charge Time** (Hours) (0% to 100% Charge)							
20V MAX* Batteries	Watt Hours	20V MAX* Chargers					
		LCS200	LCS1620	LCS201	L2AFC	L2AFCBST	BDCAC202B
LBX20	26	6.5	3.25	1.3	0.65	0.65	0.65
LBXR20	30	7.5	3.75	1.5	0.75	0.75	0.75
LBXR20BT	30	7.5	3.75	1.5	0.75	0.75	0.75
LBXR2020	40	10	5	2	1	1	1
LBXR2520	50	12.5	6.25	2.5	1.25	1.25	1.25
LB2X3020	60	15	7.5	3	1.5	1.5	1.5
LB2X4020	80	20	10	4	2	2	2

**All charge times are approximate. Actual charge time may vary.

Filling the Sprayer

⚠ DANGER: RISK OF DEATH, SEVERE PERSONAL INJURY, AND/OR PROPERTY DAMAGE FROM IMPROPER CHEMICAL USE OR MIXTURE.

- Never use flammable or combustible chemicals in this sprayer. Spraying flammable or combustible chemicals can create combustible fumes that could be ignited, causing an explosion.
- Use only chemicals indicated for spraying applications. Some chemicals may create a toxic or other hazardous atmosphere when sprayed.
- Always refer to chemical manufacturer's instructions and/or the chemical Safety Data Sheet (SDS) for proper mixture and safe application.

⚠ WARNING: Inspect the sprayer, hose, shut-off, wand, and all connections for damage before each use. A damaged or loose hose connection can result in unintended exposure to the pressurized chemicals, resulting in serious injury or property damage.

Before you Begin

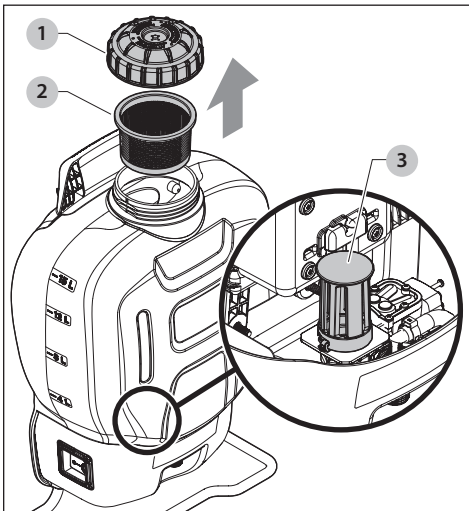
Test the sprayer with plain water before use with chemicals, prior to initial use, and after prolonged storage.

Place the sprayer on a stable surface and ensure it is OFF.

Remove the battery from the battery compartment. See *Removing the Battery*.

Filling Procedure

1. Unscrew the cap (1) and place it on a clean surface where it will not collect dirt, dust, grass clippings, or other debris.
2. Remove the strainer basket (2) and remove any debris. Place the strainer basket (2) on a clean surface where it will not collect dirt, dust, grass clippings, or other debris.
3. Inspect the tank interior for debris, and clean as needed.
4. Check to make sure the in-tank filter (3) is in place, the mesh is intact, and it is not clogged with debris. See *In-Tank Filter Maintenance*.
5. Follow the chemical manufacturer's instructions for preparing the chemical. Fill the sprayer by pouring liquid into the top opening and through the strainer basket, to the desired volume, according to the volume graduation markings on the side of the tank.
6. Clean up any spilled, splashed, or overflowed liquid on the sprayer.
7. Insert the battery according to the instructions in *Installing the Battery*.



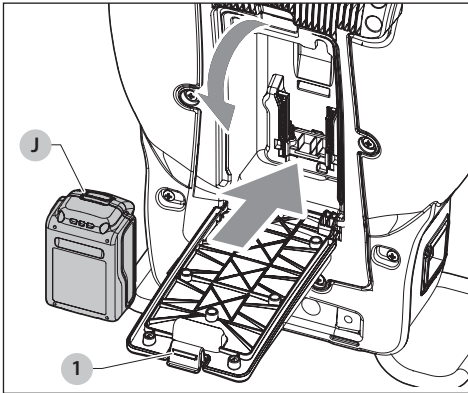
Installing the Battery

▲ WARNING: RISK OF FIRE, BURNS, OR ELECTRICAL SHOCK. To reduce risk of battery fire or bursts, use only Black+Decker batteries that are in good condition and have not been damaged. Do not use batteries that are wet or have been damaged.

▲ WARNING: Prevent unintentional starting. Ensure the switch is in the OFF-position before connecting battery pack, picking up or carrying the sprayer. Carrying the sprayer with your finger on the switch or energizing the sprayer which has the switch on invites accidents.

▲ CAUTION: RISK OF UNINTENDED SPRAYING. Ensure the sprayer is OFF and that the shut-off lever is released before inserting the battery. The sprayer will spray when the battery is inserted if the sprayer is ON and the shut-off lever is depressed.

1. Ensure the sprayer is on a stable surface and turned OFF.
2. Open the battery compartment by pushing down on the door latch (1) located at the top of the door, and swing the door open and downward.
3. Align the battery (J) with the rails inside the battery compartment and slide it into the compartment until the battery (J) is firmly seated and locating clip is engaged. Ensure it does not disengage.
4. Close the door and ensure that the door latch (1) is engaged.



Removing the Battery

1. Ensure the sprayer is on a stable surface and turned OFF.
2. Open the battery compartment by pushing down on the door latch (1) located at the top of the door, and swing the door open and downward.
3. Press the battery release button and lift the battery (J) until it releases.
4. Remove the battery (J) from the compartment.

5. Close the door and ensure that the door latch (1) is engaged.

Battery Life Indicator

1. When the battery is installed, you can check the battery life. This feature is active whether the device is turned ON or OFF.
2. Press and hold the battery button (2) to illuminate indication lights.
3. Four green lights indicate 100%; three green lights indicate 75%, two green lights indicate 50%, one green light indicates 25%, and one red light indicates battery must be charged.

Spraying

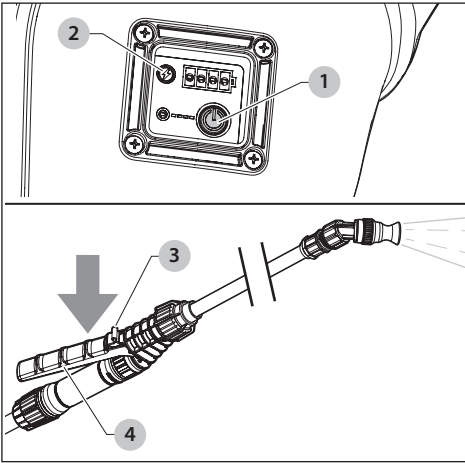
▲ WARNING: RISK OF PERSONAL INJURY AND/OR PROPERTY DAMAGE DUE TO UNINTENDED SPRAYING OF CHEMICALS. Ensure the shut-off trigger is released before starting to pressurize the sprayer. The sprayer will spray when pressurizing, if the shut-off trigger is depressed.

NOTICE: RISK OF PROPERTY DAMAGE. Only spray when the air is calm (no wind or air movement) to prevent chemical spray from drifting onto non-targeted surfaces.

1. Press the Power button (1) to turn the sprayer ON. If the sprayer has not been used recently, you may hear a low, audible hum. This indicates the pump has turned on and is building pressure in the hose.

NOTE: If the sprayer was used recently, and still has pressure in the hose, the pump may not turn on until the shut-off lever (4) is squeezed.

2. Aim the wand in the desired direction of spraying and squeeze the shut-off lever (4).
3. For continuous spraying, squeeze the shut-off lever (4) and rotate the lock toward the lever (3) to hold the shut-off lever (4) in the depressed position.
4. Unlock, if needed, and release the shut-off lever (4) to stop spraying.
5. To turn OFF the sprayer, press the Power button (1).
6. Always remove any chemicals, and clean the sprayer when finished. See the *Cleaning and Storage* sections of this manual.

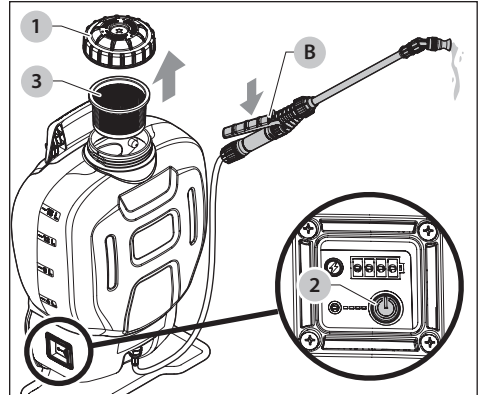


CLEANING

- ▲ **WARNING:** Always release pressure from the sprayer prior to cleaning. Disassembly of a sprayer that is still pressurized may result in the high-speed ejection of components.
- ▲ **WARNING: RISK OF PERSONAL INJURY DUE TO CHEMICAL EXPOSURE.** Use the appropriate Personal Protective Equipment (PPE) as recommended by the chemical manufacturer and/or refer to the chemical Safety Data Sheet (SDS) of the chemical being used. This includes at least goggles, gloves, and protective clothing.
- ▲ **WARNING: RISK OF DAMAGE TO INTERNAL COMPONENTS.** Failure to properly rinse out the sprayer may allow chemical residue build-up that can clog or damage the filters, pump, shut-off, wand, and nozzle. Chemical residue build-up can also contaminate subsequent applications. Leaving chemical liquids in the sprayer when not in use can lead to premature sprayer wear. Never store the sprayer with chemicals in any part of the sprayer.

1. Ensure the sprayer is OFF and remove the battery per the *Removing the Battery* section.
2. Remove the cap (1) and empty any extra chemical from the tank into a suitable container for later use or dispose according to the chemical manufacturer's instructions.
3. Use clean water to thoroughly rinse and empty the tank until all chemicals and residues are removed.
4. Add approximately 1 quart (1 liter) of clean water to the tank.
5. Insert the battery per the *Installing the Battery* instructions and press the Power button (2) to turn the sprayer ON.

6. Spray water through the pump, hose, shut-off, wand, and nozzle for at least 30 seconds to rinse them out. Failure to rinse out these components may allow chemical residue build-up that can clog or damage the components. After heavy use, rinsing the nozzles may not be enough to remove residue. The nozzles may need to be cleaned with a small brush.
7. Empty out any remaining water from the tank then continue to spray until water no longer comes out of the nozzle. This indicates that most of the water in the system has been removed.
8. Press the Power button (2) to turn the sprayer OFF and remove the battery.
9. Squeeze the shut-off lever (B) to release any remaining pressure in the hose.
10. Allow the sprayer to dry. This is best done by removing the cap (1) and strainer basket (3) and hanging the sprayer upside down to let it drain.
11. Once the sprayer is dried, turn the sprayer upright and reinstall the strainer basket (3) and cap (1) to prevent debris from entering the tank.



Battery Pack Cleaning

Remove dirt and grease from the exterior of the battery using a cloth or soft non-metallic brush. Do not use water or any cleaning solutions.

Charger Cleaning Instructions

- ▲ **WARNING: Shock hazard.** Disconnect the charger from the AC outlet before cleaning. Dirt and grease may be removed from the exterior of the charger using a cloth or soft non-metallic brush. Do not use water or any cleaning solutions.

STORAGE

Store the sprayer and battery indoors in a warm, dry location out of direct sunlight and away from any sources of moisture or intense heat. Do not store the sprayer where freezing temperatures (below 32°F/0°C) will occur. Allowing water to freeze inside the sprayer may cause damage to the pump, seals, shut-off, or other components, and void the sprayer warranty.

TRANSPORTATION

▲ WARNING: Fire hazard. Do not store, carry, or transport the battery pack so that metal objects can contact exposed battery terminals. For example, do not place the battery pack in aprons, pockets, tool boxes, product kit boxes, drawers, etc., with loose nails, screws, keys, coins, hand tools, etc. When transporting individual battery packs, make sure that the battery terminals are protected and well insulated from materials that could contact them and cause a short circuit.

NOTE: Li-ion battery packs should not be put in checked baggage on airplanes and must be properly protected from short circuits if they are in carry-on baggage.

MAINTENANCE

▲ WARNING: To reduce the risk of serious personal injury, turn unit OFF and remove the battery pack before making any adjustments or removing/installing attachments or accessories. An accidental start-up can cause injury.

▲ WARNING: RISK OF PERSONAL INJURY AND/OR PROPERTY DAMAGE DUE TO CHEMICAL EXPOSURE. Always ensure that all chemicals have been removed from the sprayer and the sprayer has been cleaned prior to performing any maintenance.

▲ WARNING: Disconnect the battery pack from the sprayer before making any adjustments, changing accessories, or storing sprayer. Such preventative measures reduces the risk of starting the sprayer accidentally.

▲ WARNING: RISK OF PERSONAL INJURY. Always release pressure from the sprayer prior to performing any maintenance. Disassembly of a sprayer that is still pressurized may result in the high-speed ejection of components. Ensure the sprayer is OFF and squeeze the shut-off lever until all pressure is released.

Repairs

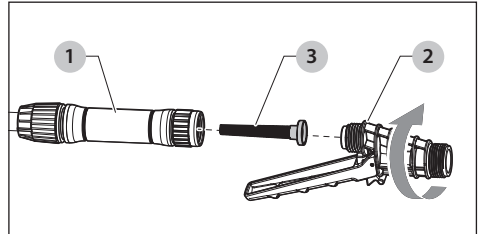
The charger and battery pack are not serviceable. There are *no serviceable parts inside the charger or battery pack.*

▲ WARNING: To assure product SAFETY and RELIABILITY, repairs, maintenance and adjustment (including brush inspection and replacement, when applicable) should be performed by a BLACK+DECKER factory service center or a BLACK+DECKER authorized service center. Always use identical replacement parts.

Shut-Off Assembly Maintenance

▲ WARNING: Prior to performing maintenance, always depressurize the sprayer by turning the sprayer OFF and squeezing the shut-off lever to spray until liquid flow stops.

1. Unscrew the handle (1) from the shut-off assembly (2).
2. Remove the filter (3).
3. Clean any debris from inside the handle, shut-off assembly, or the filter by rinsing with cool, clean water.
4. Reassemble the components as shown and tighten all connections securely.



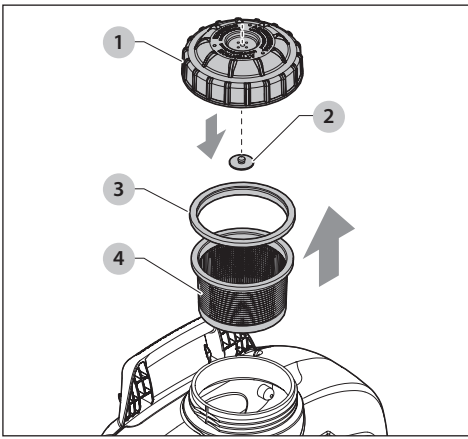
Nozzle Maintenance

▲ WARNING: Prior to performing maintenance, always depressurize sprayer by ensuring the sprayer is OFF and then squeezing the shut-off lever to spray until liquid flow stops.

- If a nozzle clogs, remove and disassemble the nozzle assembly.
- Clean the openings of any obstructions or residue. Do not use sharp tools that could scratch or damage the nozzles as spray pattern could be affected.

Cap and Strainer Basket Maintenance

- Check the check valve (2) on the cap (1) and the strainer basket gasket (3) on the strainer basket (4) to ensure they do not show signs of wear and are operating properly.
- Replace them as required.



In-Tank Filter Maintenance

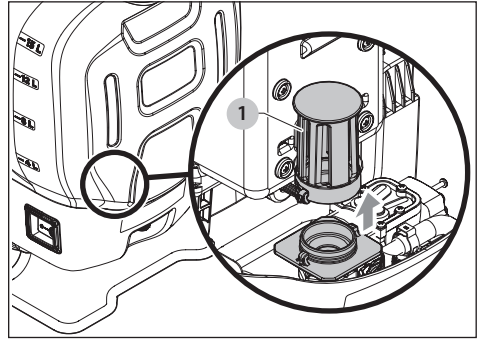
▲ CAUTION: RISK OF DAMAGE TO INTERNAL COMPONENTS. Do not operate the sprayer without the in-tank filter properly installed. Doing so could allow debris to enter the pump and cause clogging or damage to the pump.

1. Ensure the sprayer is OFF and remove the battery per the *Removing the Battery* instructions.
2. Remove the cap and strainer basket. Rinse with clean water to remove any debris.
3. Place the strainer basket and cap on a clean surface where they will not collect dirt, dust, grass clippings, or other debris.
4. Pour any liquid from the tank into an appropriate container for later use or proper dispose according to chemical manufacturer's instructions.
5. Rinse and empty the tank to remove any dirt, debris, or residue.
6. Reach into the tank and carefully grasp the in-tank filter (1) located at the bottom of the tank.
7. Turn the in-tank filter approximately 1/8 of a turn counterclockwise until it stops turning and pull up to remove it from the tank.
8. Clean the in-tank filter carefully rinsing from the inside to the outside. Be sure not to tear or damage the mesh. Any damage to the mesh may allow debris to enter the pump and cause clogging or damage to the pump.

NOTE: If the in-tank filter is damaged or too dirty to permit cleaning, replace with a new in-tank filter.

9. To re-install the in-tank filter, gently set it back over the filter base in the bottom of the tank, and slowly turn the filter until the locking tabs on the filter base align with the grooves in the filter. The in-tank filter will drop downward approximately 1/8 in. when this happens.

10. Push down on the in-tank filter until it stops, approximately another 1/4 in., then turn the in-tank filter approximately 1/8 turn clockwise until it stops.



BATTERY AND CHARGER TWO-YEAR LIMITED WARRANTY

BLACK+DECKER (U.S.) Inc. warrants the battery and charger to be free from defects in material or workmanship for a period of two (2) years following the date of purchase, provided that the product is used in a home environment. This limited warranty does not cover failures due to abuse, accidental damage or when repairs have been made or attempted by anyone other than BLACK+DECKER and its Authorized Service Centers. A defective battery pack and charger meeting the warranty conditions set forth herein will be replaced or repaired at no charge in either of two ways:

The first, which will result in exchanges only, is to return the battery pack or charger to the retailer from whom it was purchased (provided that the store is a participating retailer). Returns should be made within the time period of the retailer's policy for exchanges. Proof of purchase may be required. Please check with the retailer for its specific return policy regarding time limits for returns or exchanges.

The second option is to take or send the battery pack or charger (prepaid) to a BLACK+DECKER owned or authorized Service Center for repair or replacement at BLACK+DECKER's option. Proof of purchase may be required. BLACK+DECKER owned and authorized service centers are listed online at www.blackanddecker.com. This warranty does not apply to the sprayer or sprayer accessories. This warranty gives you specific legal rights and you may have other rights which vary from state to state or province to province. Should you have any questions, contact the manager of your nearest BLACK+DECKER Service Center. This product is not intended for commercial use, and accordingly, such commercial use of this product will void this warranty. All other guarantees, express or implied, are hereby disclaimed.

SPRAYER TWO YEAR LIMITED WARRANTY

The Fountainhead Group, Inc. warrants that this sprayer (excluding battery and charger) will be free from defects in material and workmanship for a period of two years from the date of shipment by us.

We make no other express warranties, and all implied warranties, including fitness and merchantability, are limited to two years from the date of shipment by us. Within the warranty period, we will repair or replace any part found to be defective upon our examination but will not pay shipping cost or other expenses. To obtain warranty service, contact us at: The Fountainhead Group, Inc., c/o Customer Service, 23 Garden Street, New York Mills, New York 13417, or call prepaid, (800) 311-9903 or (315) 736-0037. Merchandise may not be returned without prior permission and must be returned to us prepaid.

This warranty service is an exclusive remedy and we are not responsible for any consequential or incidental damages or injury to person(s) or property.

This warranty shall not apply to any product which has been subject to misuse, negligence or accident, or been damaged in shipment, or misapplied, or which has been modified or repaired by unauthorized persons. This warranty only applies to products owned by persons purchasing directly from us or from our approved distributors and merchandisers. The right is reserved to incorporate subsequent design or parts changes after publication and without reissue of descriptive literature or catalogs.

NOTE: *Limitations on duration of implied warranty and/or consequential damages might not apply to you if your state does not permit them. This warranty gives you specific legal rights in addition to rights you may have under state law.*

Manufactured under license by:

The Fountainhead Group, Inc.

23 Garden Street

New York Mills, NY 13417 U.S.A.

Fax: (315) 768-4220

Email: Info@TheFGI.com

www.TheFountainheadGroup.com

TROUBLESHOOTING GUIDE

BE SURE TO FOLLOW SAFETY RULES AND INSTRUCTIONS

For assistance with your product, visit our website at www.BlackandDecker.com for a list of service centers, or call BLACK+DECKER at 1-800-544-6986.

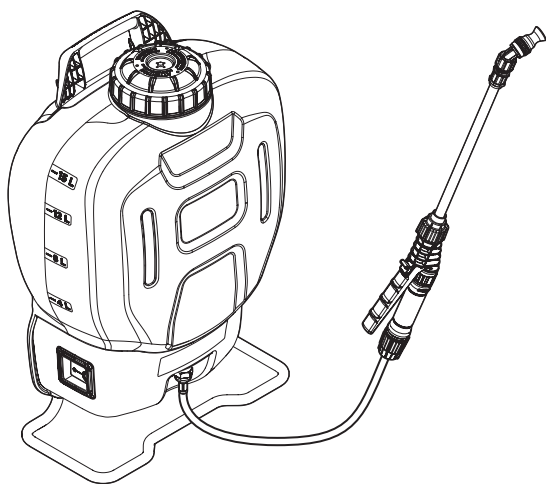
PROBLEM	POSSIBLE CAUSE	SOLUTION
The sprayer does not turn ON (no audible hum of the pump).	Ensure the battery is correctly installed.	Install the battery correctly. See <i>Installing the Battery</i> .
	Ensure the battery is charged.	Charge the battery. See <i>Charging the Battery</i> .
	The battery may be damaged or may have overheated. Visually inspect the battery for damage.	Replace the battery if it is damaged or not working. If the battery overheated, allow the battery to cool.
The sprayer turns on (pump head hums) but it will not spray.	There is no liquid in the tank.	Add liquid to the tank. See <i>Filling the Sprayer</i> .
	The shut-off lever is clogged.	Clean the shut-off lever. See <i>Shut-off Assembly Maintenance</i> .
	The nozzle is clogged.	Clean the nozzle. See <i>Nozzle Maintenance</i> .
The sprayer turns ON but only sprays at low pressure.	The pump is not primed.	Allow at least 30 seconds for the pump to prime.
	The shut-off lever is clogged.	Clean the shut-off lever. See <i>Shut-off Assembly Maintenance</i> .
	The nozzle is clogged.	Clean the nozzle. See <i>Nozzle Maintenance</i> .
The pump does not fully prime.	The pump is not primed.	Allow at least 30 seconds for the pump to prime.
	The liquid level in the tank is low.	Add liquid to the tank. See <i>Filling the Sprayer</i> .
	The pump was run dry (without liquid) before the tank was refilled.	Ensure the sprayer is OFF and squeeze the shut-off lever until all pressure is relieved.
The pump does not fully prime.	There is chemical residue or build-up in the tank and/or pump due to improper or inadequate cleaning.	Clean the sprayer. See <i>Cleaning</i> . If necessary, repeat with warm water and a mild detergent mixture. Allow the mixture to stay in the pump for up to 1 hour prior to rinsing. Replace the pump if necessary.
	The in-tank filter is improperly installed, missing, or damaged, allowing debris to enter the pump.	Clean the sprayer. See <i>Cleaning</i> . If necessary, repeat with warm water and a mild detergent mixture. Allow the mixture to stay in the pump for up to 1 hour prior to rinsing. Replace the pump if necessary.

PROBLEM	POSSIBLE CAUSE	SOLUTION
The hose leaks at the tank connection.	The hose is cracked, swollen, or faulty.	Replace the shut-off assembly.
	The connection is damaged.	
The hose leaks at the shut-off assembly.	The hose is cracked, swollen, or faulty.	Replace the shut-off assembly.
	The connection is damaged.	
The nozzle drips when the shut-off lever is released.	There is dirt or debris in the shut-off lever.	Clean the shut-off assembly.
	There is a damaged O-ring or seal in the shut-off assembly.	Replace the shut-off assembly.
The nozzle tip leaks.	The flat seal is missing.	Install the flat seal behind the nozzle tip. See <i>Assembly</i> .
	The flat seal is damaged.	Replace the flat seal.
The spray pattern is poor.	The nozzle is partially clogged.	Clean the nozzle. See <i>Cleaning</i> .
	The nozzle is damaged.	Replace the nozzle.
The unit shuts off abruptly.	The battery pack has reached its maximum thermal limit.	Allow the battery pack to cool down.
	The battery is out of charge. To maximize the life of the battery, it is designed to shut off abruptly when the charge is depleted.	Place the battery on the charger and allow it to charge.
The battery pack does not charge.	The battery pack is not inserted in the charger.	Insert the battery pack into the charger until the LED illuminates.
	The charger is not plugged in.	Plug the charger into a working outlet.
	The surrounding air temperature is too hot or too cold.	Move the battery pack to a surrounding air temperature of above 40°F (4.5°C) or below 104°F (40°C).

BLACK+ DECKER™

MANUEL D'INSTRUCTIONS

Pulvérisateur à dos électrique



190657

À lire avant de retourner ce produit pour quelque raison que ce soit..

CONTENU

CONSIGNES DE SÉCURITÉ IMPORTANTES	19
SÉCURITÉ RELATIVE AUX SUBSTANCES CHIMIQUES	19
UTILISATION SÉCURITAIRE DU PULVÉRISATEUR	19
<i>Consignes de sécurité supplémentaires</i>	20
LE SCEAU RBRC®	20
ASSEMBLAGE	20
<i>Contenu du paquet</i>	20
<i>Fonctions et utilisations des buses</i>	21
<i>Assemblage du pulvérisateur</i>	21
<i>Fixation de la buse</i>	21
<i>Fixation du harnais</i>	21
FONCTIONNEMENT	22
BATTERIES ET CHARGEURS	22
<i>Directives de sécurité importantes pour tous les chargeurs de batteries</i>	22
<i>Directives de sécurité importantes pour tous les blocs-batteries</i>	23
<i>Mode d'emploi et entretien de l'outil de batterie</i>	23
<i>Réparation</i>	24
<i>Voyants de la batterie</i>	24
<i>Chargement de la batterie</i>	24
<i>Remplissage du pulvérisateur</i>	25
<i>Installation de la batterie</i>	26
<i>Retrait de la batterie</i>	26
<i>Voyant de charge de la batterie</i>	26
<i>Pulvérisation</i>	26
NETTOYAGE	27
<i>Nettoyage du bloc-batterie</i>	28
<i>Directives de nettoyage du chargeur</i>	28
ENTREPOSAGE	28
TRANSPORT	28
ENTRETIEN	28
<i>Réparations</i>	28
<i>Entretien de l'assemblage d'arrêt</i>	28
<i>Entretien de la buse</i>	29
<i>Entretien du capuchon et du panier-filtre</i>	29
<i>Entretien du filtre intérieur du réservoir</i>	29
GARANTIE LIMITÉE DE DEUX ANS DE LA BATTERIE ET DU CHARGEUR	30
GARANTIE LIMITÉE DE DEUX ANS DU PULVÉRISATEUR	30

CONSIGNES DE SÉCURITÉ IMPORTANTES

DÉFINITIONS

▲ **DANGER** : Indique une situation dangereuse qui, si elle n'est pas évitée, causera la mort ou des blessures graves.

▲ **AVERTISSEMENT** : Indique une situation potentiellement dangereuse qui entraînera la mort ou des blessures graves si elle n'est pas évitée.

▲ **ATTENTION** : Indique une situation potentiellement dangereuse qui entraînera la mort ou des blessures graves si elle n'est pas évitée.

AVIS : Indique des renseignements importants à prendre en considération, sans rapport avec un danger (p. ex. messages liés à des dégâts matériels).

SÉCURITÉ RELATIVE AUX SUBSTANCES CHIMIQUES

▲ **DANGER** : RISQUE DE DÉCÈS, DE BLESSURES PERSONNELLES GRAVES ET DE DOMMAGES MATÉRIELS DÉCOULANT DE L'UTILISATION D'UNE SUBSTANCE CHIMIQUE OU D'UN MÉLANGE INAPPROPRIÉ.

- Ne jamais utiliser des substances inflammables ou combustibles chimiques dans ce pulvérisateur. Pulvériser des substances chimiques combustibles ou inflammables peut créer des vapeurs combustibles qui pourraient s'enflammer et créer une explosion.
- Utiliser seulement des substances chimiques conçues pour la pulvérisation. Certaines substances chimiques peuvent créer une atmosphère toxique ou d'autres atmosphères dangereuses lorsqu'elles sont pulvérisées.
- Pour un mélange approprié et une application sécuritaire, toujours respecter les directives du fabricant concernant les substances chimiques et la fiche signalétique relative aux substances chimiques.

UTILISATION SÉCURITAIRE DU PULVÉRISATEUR

▲ **AVERTISSEMENT** : RISQUE DE BLESSURES PERSONNELLES ET DE DOMMAGES MATÉRIELS DÉCOULANT D'UNE EXPOSITION À UNE SUBSTANCE CHIMIQUE.

- Lire et comprendre tout le manuel d'instructions avant d'utiliser ce pulvérisateur.
- Suivre toutes les directives et les précautions de ce manuel d'instructions lors de l'utilisation de ce pulvérisateur.
- Lire et suivre toutes les instructions et précautions sur l'étiquette du fabricant des substances chimiques qui seront utilisées dans ce pulvérisateur.
- Utiliser l'équipement de protection individuelle (EPI) approprié comme recommandé par

le fabricant de la substance chimique ou consulter la fiche signalétique de la substance chimique utilisée. L'EPI comprend au moins des lunettes de sécurité, des gants et des vêtements de protection. Ne pas utiliser l'EPI approprié pourrait entraîner une exposition à la substance chimique par contact avec la peau, avec les yeux, l'inhalation ou autres.

- Après l'assemblage initial, le rangement à long terme ou tout autre événement possiblement dommageable comme une chute, inspecter toujours le pulvérisateur pour y détecter tout dommage et effectuer un test avec de l'eau pure afin de vérifier qu'il fonctionne normalement. Avant d'utiliser le pulvérisateur avec une substance chimique, s'assurer que toutes les connexions sont bien serrées et qu'il n'y a pas de fuite, également que le flexible n'est pas endommagé.
- Toujours inspecter le flexible et toutes ses connexions avant chaque utilisation. Un flexible endommagé ou qui n'est pas bien fixé pourrait entraîner une décharge à pression élevée non contrôlée de la substance chimique.
- Ne pas pulvériser près d'une flamme nue, une surface chaude ou toute autre chose qui pourrait créer une vapeur avec la substance pulvérisée. Cela pourrait créer une atmosphère chimique dangereuse.
- Ne jamais utiliser d'agent caustique, eau de javel, acides, eau chaude ou de substances chimiques produisant de la pression dans ce pulvérisateur.
- Garder le pulvérisateur et toute substance chimique hors de la portée des enfants ou des animaux de compagnie.
- N'utiliser le pulvérisateur que par temps calme (aucun vent ou mouvement de l'air) afin d'empêcher la substance chimique pulvérisée d'atterrir sur des surfaces non ciblées.
- Toujours relâcher la pression lorsque le pulvérisateur n'est pas utilisé et avant d'enlever la pompe du réservoir.
- Ne jamais entreposer des substances chimiques dans le pulvérisateur.
- Entreposer ou éliminer les substances chimiques non utilisées selon les directives du fabricant de la substance chimique en raison des dommages possibles à l'environnement s'il advenait un déversement ou une fuite, ou consulter les critères de mise au rebut indiqués sur la fiche signalétique.
- Nettoyer et rincer le pulvérisateur après chaque utilisation pour éviter une exposition non prévue à une substance chimique et éviter la contamination lors d'applications suivantes.
- Entreposer le pulvérisateur dans un endroit chaud, sec et sans poussière, à l'écart de la lumière directe du soleil.

▲ AVERTISSEMENT : RISQUE DE BLESSURE PERSONNELLE ET DE DOMMAGES MATÉRIELS DÉCOULANT D'UN BRIS OU D'UNE DÉCHARGE DE LIQUIDES CHIMIQUES À PRESSION ÉLEVÉE INCONTRÔLÉE.

- Ne jamais modifier le pulvérisateur par rapport à sa condition d'origine. Ne jamais chauffer ou modifier le flexible, l'écrou du flexible ou la barbelure. Ne pas respecter cette consigne pourrait entraîner l'affaiblissement des composants et/ou des connexions.
- Utiliser seulement les pièces de rechange du fabricant. Les autres pièces de rechange ne sont pas compatibles avec ce pulvérisateur.
- Ne jamais pressuriser le pulvérisateur avec un autre dispositif que la pompe fournie par le fabricant d'origine. L'utilisation d'un compresseur à air ou autre dispositif pourrait dépasser la pression sécuritaire de fonctionnement du pulvérisateur.
- Ne pas soulever, transporter ou tirer le pulvérisateur par le flexible, le robinet d'arrêt ou l'extension de la lance. Ne pas respecter cette consigne pourrait entraîner l'affaiblissement des composants et/ou des connexions. Transporter seulement par la poignée ou le harnais en s'assurant que les connexions sont solidement fixées avant de le soulever.
- Afin de réduire les risques de décharges électriques, ne pas mettre pulvérisateur dans l'eau ou autre liquide. Ne pas mettre ni ranger l'pulvérisateur à un endroit où il peut tomber ou être entraîné dans une baignoire ou un évier.

Consignes de sécurité supplémentaires

▲ AVERTISSEMENT : Ne jamais modifier le pulvérisateur ou une de ses pièces. Il pourrait en découler des dommages ou des blessures personnelles.

CONSERVER CES DIRECTIVES POUR UNE UTILISATION FUTURE

LE SCEAU RBRC®

Veillez retourner votre bloc-batterie usagé dans un centre de réparation autorisé BLACK+DECKER ou chez votre revendeur local aux fins de recyclage. Dans certaines régions, il est illégal de mettre les batteries usagées aux rebuts. Vous pouvez également communiquer avec votre centre de recyclage local pour obtenir des renseignements au sujet de l'endroit où vous pouvez apporter votre bloc-batterie usagé. Ne pas le mettre au bac de recyclage au bord de la route. Pour obtenir de plus amples informations, visiter le <https://www.appelarecycler.ca/> ou appeler au numéro sans frais qui se trouve sur le sceau RBRC®. RBRC® est une marque déposée d'Appel à Recycler, Inc.

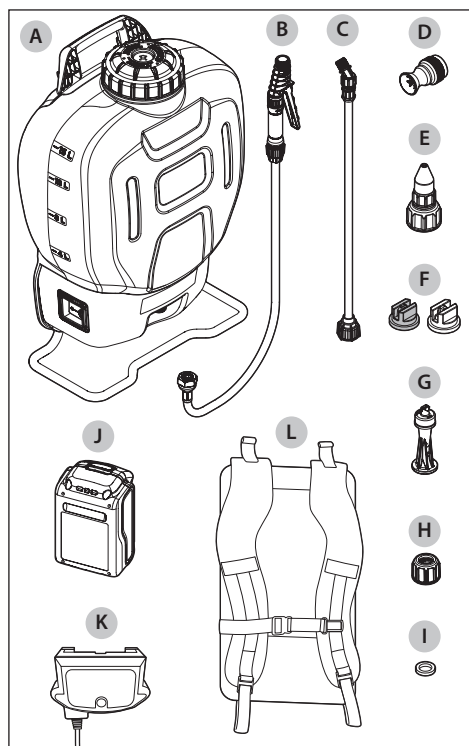


ASSEMBLAGE

▲ AVERTISSEMENT : RISQUE DE BLESSURES PERSONNELLES ET DE DOMMAGES MATÉRIELS DÉCOULANT D'UNE EXPOSITION À UNE SUBSTANCE CHIMIQUE. Après l'assemblage initial, toujours inspecter le pulvérisateur pour détecter tout dommage et effectuer un test avec de l'eau pure pour vérifier qu'il fonctionne adéquatement. Avant d'utiliser le pulvérisateur avec une substance chimique, s'assurer que toutes les connexions sont bien serrées et qu'il n'y a pas de fuite, également que le flexible n'est pas endommagé

▲ AVERTISSEMENT : Utiliser seulement les accessoires recommandés par le fabricant ou vendus par celui-ci.

Contenu du paquet



- | | | |
|------------------------|--------------------------------|--------------------------------------|
| A Pulvérisateur | B Assemblage d'arrêt | C Lance |
| D Adaptateur Dry-Touch | E Buse à jet conique ajustable | F Buse à jet éventail rouge et jaune |
| G Buse à mousse | H Écrous borgnes | I Joint plat |
| J Batterie | K Chargeur de batterie | L Harnais |

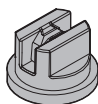
Fonctions et utilisations des buses

Buse à mousse



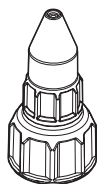
- Pulvérisation localisée dans les massifs de fleurs, les arbres et les buissons.
- Pulvérisation des bordures le long des clôtures, entrées et voies piétonnières.
- Élimination des broussailles comme le sumac vénéneux, le sumac à feuille de chêne, la vigne japonaise et la ronce commune.
- Préparation des massifs de fleurs pour la plantation de plantes d'ornement et de légumes.

Buse rouge à haut volume



- Remplacement de la pelouse. Élimination de l'ancienne pelouse et des mauvaises herbes avant de planter une nouvelle pelouse.
- Préparation de vastes étendues avant de planter des jardins de plantes d'ornement et de légumes.

Buse à jet conique ajustable



- Pulvérisation localisée dans les massifs de fleurs, les entrées, et les patios et autour des arbres et des buissons.
- Pulvérisation des bordures le long des clôtures, entrées et voies piétonnières.
- Élimination des broussailles comme le sumac vénéneux, le sumac à feuille de chêne, la vigne japonaise et la ronce commune.

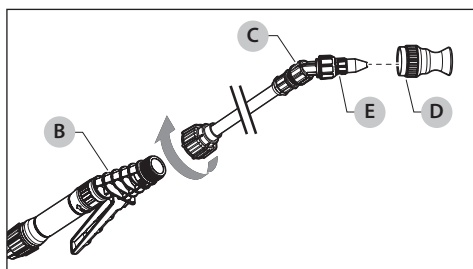
Buse jaune à bas volume



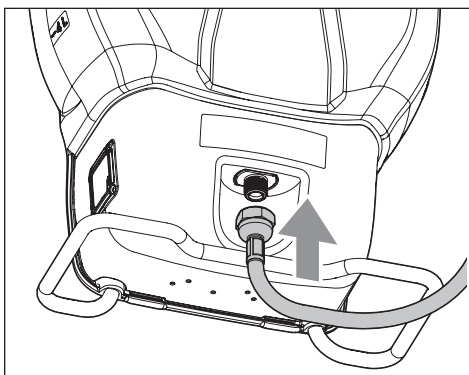
- Pulvérisation de précision dans des endroits confinés comme les jardins et les massifs de fleurs.

Assemblage du pulvérisateur

1. Installer la lance (C) dans l'assemblage d'arrêt (B) et serrer l'écrou (1) sur la lance (C) pour les raccorder.
2. (Optionnel) Utiliser l'adaptateur Dry-Touch pour ajuster le produit chimique sans contact.

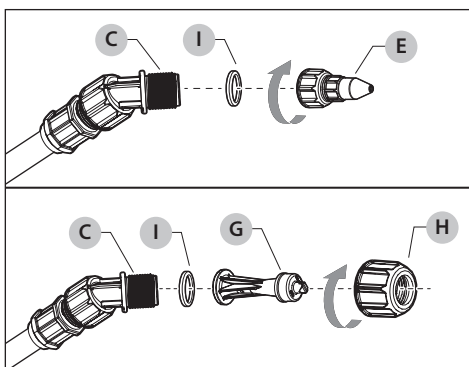


3. Fixer le dispositif d'arrêt au corps du pulvérisateur.



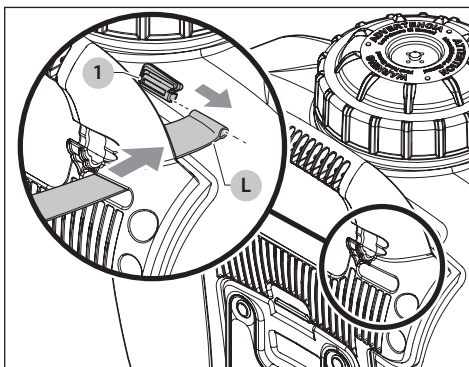
Fixation de la buse

Attacher la buse désirée (E – G) au bout de la tige (C) à l'aide d'une rondelle plate (I) et resserrer fermement avec l'écrou borgne (H).

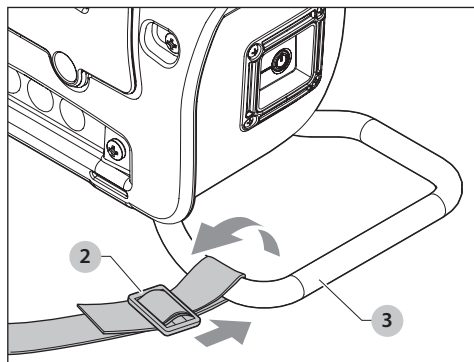


Fixation du harnais

1. Pour chacun des côtés, enlever les petites pinces de plastique (1) des deux boucles des courroies d'épaules et enfiler chaque boucle dans les emplacements prévus à cet effet en haut de la poignée.
2. Replacer les pinces (1) à travers les boucles et tirer sur les courroies pour bien fixer les deux courroies d'épaules en place.



1. Pour les courroies du bas, enlever les courroies de la portion supérieure des boucles (2) et les placer autour du pied (3) en commençant par les passer en dessous.
2. Passer la courroie dans la première section de la boucle (2). Ensuite, la passer dans l'autre section de la boucle (2) pour resserrer. Ajuster l'épaulière et la longueur de la courroie pour obtenir un soutien confortable.



FONCTIONNEMENT

▲ AVERTISSEMENT : RISQUE DE BLESSURES PERSONNELLES DÉCOULANT D'UNE EXPOSITION À UNE SUBSTANCE CHIMIQUE. Utiliser l'équipement de protection individuelle (EPI) approprié comme recommandé par le fabricant de la substance chimique ou consulter la fiche signalétique de la substance chimique utilisée. L'EPI comprend au moins des lunettes de sécurité, des gants et des vêtements de protection.

▲ AVERTISSEMENT : Pour réduire les risques de blessures personnelles graves, mettre l'appareil à l'arrêt et enlever le bloc-batterie avant d'effectuer tout ajustement ou d'enlever ou d'installer tout accessoire ou pièce. Une mise en marche accidentelle de l'appareil peut causer des blessures.

BATTERIES ET CHARGEURS

Le bloc-batterie n'est pas complètement chargé à la sortie de l'emballage. Avant d'utiliser le bloc-batterie et le chargeur, lire les directives de sécurité ci-dessous et suivre ensuite les procédures de chargement décrites. Lors de la commande de blocs-batteries de recharge, s'assurer d'inclure le numéro de modèle et la tension.

Directives de sécurité importantes pour tous les chargeurs de batteries

▲ AVERTISSEMENT : Lire tous les avertissements, les directives de sécurité ainsi que les mises en garde au sujet du bloc-batterie, du chargeur et du produit. Le non-respect des avertissements et des directives peut entraîner des décharges électriques, des incendies et des blessures graves.

• NE PAS essayer de charger le bloc-batterie avec un chargeur autre qu'un chargeur

BLACK+DECKER. Les chargeurs et les blocs-batteries BLACK+DECKER sont conçus précisément pour fonctionner ensemble.

- Ces chargeurs ne sont pas conçus pour charger des blocs-batteries rechargeables autres que les BLACK+DECKER. Charger d'autres types de blocs-batteries peut les faire surchauffer et exploser, entraînant des blessures personnelles, des dommages matériels, un incendie, des décharges électriques ou une électrocution.
- Ne pas exposer le chargeur à la pluie ou la neige.
- Empêcher l'eau ou tout autre liquide d'entrer dans le chargeur.
- Lors de la déconnexion du chargeur, tirer par la fiche au lieu de tirer sur le cordon. Cela réduira le risque de dommage à la fiche et au cordon.
- S'assurer que le cordon est situé à un endroit où personne ne marchera dessus, auquel cas, il pourrait être endommagé ou brisé.
- Ne pas utiliser une rallonge électrique à moins que cela ne soit absolument nécessaire. L'utilisation d'une rallonge électrique inappropriée pourrait entraîner un risque d'incendie, de décharges électriques ou d'électrocution.
- Lorsque vous faites fonctionner le chargeur à l'extérieur, toujours le placer dans un endroit sec et utiliser une rallonge électrique qui convient à une utilisation extérieure. L'utilisation d'une rallonge électrique qui convient à une utilisation extérieure réduit le risque de décharges électriques.
- Pour des raisons de sécurité, une rallonge électrique doit être munie d'un fil de calibre approprié (AWG ou calibrage américain normalisé des fils). Plus le numéro de calibrage du fil est petit, plus le cordon sera lourd et aura donc une capacité plus élevée. Un cordon sous-dimensionné provoquera une chute de tension entraînant une perte de puissance et une surchauffe. Le tableau suivant présente les calibres appropriés à utiliser selon la longueur totale de toutes les rallonges électriques branchées ensemble et la plaque nominative de l'intensité. En cas de doute, utiliser le prochain calibre plus lourd.

Calibre minimum de l'ensemble de cordons.

Volts		Longueur totale des cordons en pieds (mètres)			
120 V		25 (7,6)	50 (15,2)	100 (30,5)	150 (45,7)
Valeur nominale des ampères		Calibrage américain normalisé des fils			
Plus de	Pas plus de				
0	6	18	16	16	14
6	10	18	16	14	12
10	12	16	16	14	12
12	16	14	12	Déconseillé	

- **Ne pas placer d'objet sur le chargeur.**
Placer le chargeur à un endroit éloigné de toute source de chaleur.
 - **Ne pas faire fonctionner le chargeur avec un cordon ou une fiche endommagée.**
Remplacer les éléments endommagés immédiatement.
 - **Ne pas faire fonctionner le chargeur s'il a reçu un coup brusque, a été échappé ou autrement endommagé de quelque façon.** L'amener à un centre de réparation autorisé.
 - **Ne pas désassembler le chargeur.**
L'amener à un centre de réparation autorisé lorsqu'une réparation ou un entretien est requis. Le réassemblage incorrect peut entraîner un risque de décharges électriques, une électrocution ou un incendie.
 - **Le chargeur est conçu pour fonctionner selon une alimentation électrique de résidence standard de 120 V.** Ne pas essayer de l'utiliser avec toute autre tension.
 - **Les matériaux étrangers conducteurs, comme par exemple la poussière de meulage, les particules métalliques, la laine d'acier, le papier d'aluminium ou toute autre accumulation de particules métalliques, devraient être éloignés des cavités du chargeur.**
 - **Toujours débrancher le chargeur de l'alimentation électrique lorsqu'il n'y a pas de bloc-batterie dans la cavité.**
- **EMPÊCHER** l'eau ou tout autre liquide d'entrer dans le bloc-batterie.
 - **Ne pas entreposer ou utiliser l'outil et le bloc-batterie dans un endroit où la température pourrait atteindre 104 °F (40 °C) ou être plus élevée (comme dans une remise extérieure ou un bâtiment en métal à l'été).** Pour une meilleure longévité, entreposer les blocs-batteries dans un endroit frais et sec.
REMARQUE : ne pas mettre les blocs-batteries dans un outil avec la gâchette en position de marche. Ne jamais fixer au moyen d'un ruban adhésif la gâchette en position ON (marche).
 - **Ne pas incinérer le bloc-batterie même s'il est gravement endommagé ou complètement usagé.** Le bloc-batterie peut exploser dans un incendie. Des vapeurs et matériaux toxiques sont créés lorsque le bloc-batterie aux ions de lithium est brûlé.
 - **Si le contenu de la batterie entre en contact avec la peau, nettoyer immédiatement l'endroit touché avec un savon doux et de l'eau.** Si le liquide de la batterie entre dans l'œil, rincer l'œil ouvert pendant 15 minutes ou jusqu'à ce que l'irritation cesse. Si une assistance médicale est nécessaire, l'électrolyte de la batterie est composé d'un mélange de carbone organique et de sels de lithium.
 - **Le contenu des éléments de batteries ouverts peut provoquer une irritation respiratoire.** Respirer de l'air frais. Si les symptômes persistent, consulter un médecin.
 - **Le liquide de la batterie peut être inflammable s'il est exposé à des étincelles ou une flamme.**
 - **Ne jamais essayer d'ouvrir un bloc-batterie pour une quelconque raison. Si le boîtier du bloc-batterie est craqué ou endommagé, ne pas l'insérer dans le chargeur.** Ne pas écraser, échapper ou endommager le bloc-batterie. Ne pas utiliser un bloc-batterie ou un chargeur qui a reçu un coup brusque, a été échappé, sur lequel on a roulé, a été endommagé de quelque façon que ce soit (p. ex., percé avec un clou, frappé avec un marteau, sur lequel on a marché).
 - Les blocs-batteries devraient être amenés au centre de réparation aux fins de recyclage.

Directives de sécurité importantes pour tous les blocs-batteries

- ▲ **AVERTISSEMENT :** Lire tous les avertissements, les directives de sécurité ainsi que les mises en garde au sujet du bloc-batterie, du chargeur et du produit. Le non-respect des avertissements et des directives peut entraîner des décharges électriques, des incendies et des blessures graves.
- **Ne pas charger ou utiliser le bloc-batterie dans une atmosphère explosive, comme en présence de liquides, gaz ou poussières inflammables.** Insérer ou retirer le bloc-batterie du chargeur peut mettre feu aux poussières ou vapeurs.
 - **NE JAMAIS forcer le bloc-batterie dans le chargeur. NE PAS modifier le bloc-batterie de quelque façon que ce soit dans un chargeur non compatible, car cela pourrait causer la rupture du bloc-batterie et causer des blessures personnelles graves.**
 - **Charger le bloc-batterie seulement dans des chargeurs BLACK+DECKER.**
 - **NE PAS** l'arroser ou l'immerger dans l'eau ou autres liquides.

Mode d'emploi et entretien de l'outil de batterie

- **Recharger seulement avec le chargeur précisé par le fabricant.** Un chargeur qui convient à un type de bloc-batterie peut entraîner un risque d'incendie s'il est utilisé avec un autre bloc-batterie.

- **Utiliser les outils électriques seulement avec les blocs-batteries désignés.**

L'utilisation de tout autre bloc-batterie peut causer un risque de blessure et d'incendie.

- Ce pulvérisateur est fourni avec le bloc-batterie LBRX2020 et le chargeur LCS11620 Black + Decker.

Blocs-batteries et chargeurs compatibles*

Lithium-ion 20 V Max**	Blocs-batteries	LBXR20, LBXR20BT***, LBXR2020, LBXR2520, LB2X3020, LB2X4020
	Chargeurs	LCS20, L2AFC, L2AFCBST, LCS201, LCS11620, L2AFC, L2AFCBST, LCS200, BDCA202

*Les blocs-batteries énumérés sont compatibles les uns avec les autres ainsi qu'avec le pulvérisateur.

**La tension maximale initiale de la batterie est de 20 V (mesure prise sans charge de travail). La tension nominale est de 18.

***BT - Bluetooth®

REMARQUE : Le mot et le logo Bluetooth® représentent une marque déposée qui appartient à Bluetooth®, SIG, Inc. et toute utilisation de cette marque par Black + Decker est autorisée sous licence. Les autres marques et noms de commerce appartiennent à leurs propriétaires respectifs.

- ▲ **AVERTISSEMENT :** L'utilisation de tout autre bloc-batterie peut causer un risque de blessure et d'incendie.

- **Lorsque le bloc-batterie n'est pas utilisé, gardez-le loin de tout autre objet de métal comme les trombones, la monnaie, les clés, les vis et autres petits objets de métal qui pourraient créer une connexion d'une borne à l'autre.** La mise en court-circuit des bornes peut entraîner des brûlures ou un incendie.
- **Lors de conditions trop rudes, du liquide peut être éjecté de la batterie. Éviter tout contact avec celui-ci. Si un contact se produit par accident, rincer avec de l'eau. Si le liquide entre en contact avec les yeux, consulter également un médecin. Le liquide éjecté de la batterie peut causer une irritation ou des brûlures.**
- **Ne pas utiliser le bloc-batterie ou un outil qui est endommagé ou modifié.** Les batteries endommagées ou modifiées peuvent fonctionner de manière imprévisible et créer un incendie, une explosion ou des risques de blessures.
- **Ne pas exposer le bloc-batterie ou l'outil au feu ou à une température excessive.** L'exposition au feu ou à des températures au-dessus de 265 °F (130 °C) peut entraîner une explosion.
- **Respecter toutes les directives de chargement et ne pas charger le bloc-batterie ou l'outil lorsque la température est en dehors de la plage précisée dans les directives.** Effectuer le chargement de façon inappropriée ou à des températures en dehors de la plage précisée peut endommager la batterie et augmenter les risques d'incendie.

Réparation

- **Faire faire l'entretien de vos outils électriques par un agent technique qualifié qui utilisera seulement des pièces de rechange identiques.** Cela garantira le maintien de la sécurité des outils électriques.
- **Ne jamais faire l'entretien de blocs-batteries endommagés.** L'entretien des blocs-batteries ne devrait être effectué que par le fabricant ou un fournisseur de service autorisé.

Voyants de la batterie



Chargement



Entièrement chargée



Délai du bloc-batterie chaud ou froid



Batterie défectueuse



Chargement de la batterie

- ▲ **AVERTISSEMENT :** Ne pas charger le bloc-batterie lors de températures extrêmes. Il est recommandé de charger le bloc-batterie dans une température ambiante se situant entre 32 et 104°F (0 et 40°C).

Pour charger la batterie :

1. Brancher le chargeur dans une prise appropriée.
2. Insérer le bloc-batterie de façon à ce qu'il soit bien rentré. Le voyant de chargement vert clignotera continuellement pendant le chargement.
3. Le chargement est terminé lorsque le voyant vert demeure allumé et cesse de clignoter. Le bloc-batterie peut être laissé dans le chargeur ou être enlevé.

REMARQUE : Le chargeur ne chargera pas un bloc-batterie défectueux, ce qui peut être indiqué par le voyant qui ne s'allume pas ou par le voyant rouge qui clignote rapidement. Amener le chargeur et le bloc-batterie à un centre de réparation autorisé si le voyant ne s'allume pas ou que le voyant rouge clignote rapidement.

REMARQUE : Voir l'étiquette près du voyant de chargement sur le chargeur pour connaître les raisons des différents clignotements.

Délai du bloc-batterie chaud ou froid

Lorsque le chargeur détecte un bloc-batterie qui est trop chaud ou trop froid, le délai du bloc-batterie chaud ou froid démarre automatiquement. Ce délai suspend le chargement jusqu'à ce que le bloc-batterie ait atteint une température appropriée. Le chargeur se met ensuite automatiquement en mode chargement du bloc-batterie assurant ainsi une durée de vie maximale du bloc-batterie.

Un bloc-batterie froid peut être chargé plus lentement qu'un bloc-batterie chaud. Le délai chaud ou froid est indiqué par le voyant rouge qui clignote continuellement présentant un court « ON » suivi d'un « ON » plus long (consulter les raisons des différents clignotements du chargeur). Lorsque le bloc-batterie a atteint la température appropriée, le chargeur commence le chargement.

Système de protection électronique

Les outils au lithium-ion sont munis d'un système de protection électronique qui protège le bloc-batterie contre la surcharge, la surchauffe ou une décharge importante.

Remarques importantes quant au chargement

Le chargeur et le bloc-batterie peuvent devenir chauds au toucher pendant le chargement. Cela est normal et ne veut pas dire qu'il y a un problème. Pour faciliter le refroidissement du bloc-batterie après l'utilisation, éviter de placer le chargeur ou le bloc-batterie dans un milieu chaud comme une remise en métal ou une remorque non isolée.

Si le bloc-batterie ne charge pas de façon appropriée :

- Vérifier le fonctionnement du réceptacle en y branchant une lampe ou un autre appareil.
- Vérifier si le réceptacle est connecté à un interrupteur d'éclairage qui coupe l'alimentation lorsque la lumière est éteinte.
- Si des problèmes de chargement persistent, amener le produit, le bloc-batterie et le chargeur à votre centre de réparation local.

Vous pouvez charger un bloc-batterie partiellement usagé sans effet néfaste pour le bloc-batterie.

Les systèmes de batteries et de chargeurs BLACK+DECKER

Chargeurs/Temps de charge** (Heures) (Charge de 0 % à 100 %)							
Batteries 20 V MAX*	Watt heures	Chargeurs 20 V MAX*					
		LCS200	LCS1620	LCS201	L2AFC	L2AFCB8T	BDCAC202B
LBX20	26	6,5	3,25	1,3	0,65	0,65	0,65
LBXR20	30	7,5	3,75	1,5	0,75	0,75	0,75
LBXR20BT	30	7,5	3,75	1,5	0,75	0,75	0,75
LBXR2020	40	10	5	2	1	1	1
LBXR2520	50	12,5	6,25	2,5	1,25	1,25	1,25
LB2X3020	60	15	7,5	3	1,5	1,5	1,5
LB2X4020	80	20	10	4	2	2	2

**Les temps de charge sont approximatifs. Le temps de charge réel peut varier.

Remplissage du pulvérisateur

▲ DANGER: RISQUE DE DÉCÈS, DE BLESSURES PERSONNELLES GRAVES ET DE DOMMAGES MATÉRIELS DÉCOULANT DE L'UTILISATION D'UNE SUBSTANCE CHIMIQUE OU D'UN MÉLANGE INAPPROPRIÉ.

- Ne jamais utiliser des substances chimiques inflammables ou combustibles dans ce pulvérisateur. Pulvériser des substances chimiques combustibles ou inflammables peut créer des vapeurs combustibles qui pourraient s'enflammer et créer une explosion.
- Utiliser seulement des substances chimiques conçues pour la pulvérisation. Certaines substances chimiques peuvent créer une atmosphère toxique ou autres atmosphères dangereuses lorsqu'elles sont pulvérisées.
- Toujours suivre les directives du fabricant concernant les substances chimiques et la fiche signalétique relative aux substances chimiques pour un mélange approprié et une application sécuritaire.

▲ AVERTISSEMENT : Avant chaque utilisation, inspecter le pulvérisateur, le flexible, l'assemblage d'arrêt, la lance et toutes les connexions au cas où ces pièces seraient endommagées. Une connexion de flexible endommagée ou mal fixée peut occasionner une exposition accidentelle des substances chimiques pressurisées, entraînant des blessures graves ou des dommages matériels.

Avant de commencer

Effectuer un test du pulvérisateur avec de l'eau pure avant d'utiliser des substances chimiques, avant la première utilisation et après un entreposage prolongé. Placer le pulvérisateur sur une surface stable et s'assurer qu'il est à l'arrêt.

Enlever la batterie de son compartiment. Voir *Retrait de la batterie*.

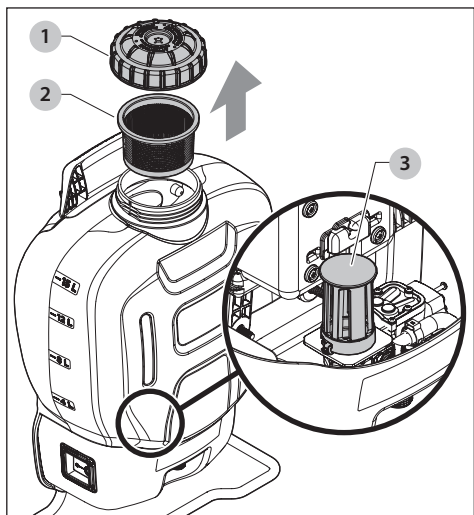
Procédure de remplissage

1. Dévisser le capuchon (1) et le placer sur une surface propre où la saleté, la poussière, les résidus de coupe de pelouse ou autres débris ne s'y colleront pas.
2. Enlever le panier-filtre (2) et enlever tout débris. Placer le panier filtre (2) sur une surface propre où la saleté, la poussière, les résidus de coupe de pelouse ou autres débris ne s'y colleront pas.
3. Inspecter l'intérieur du réservoir pour en nettoyer les débris, le cas échéant.
4. S'assurer que le filtre intérieur du réservoir (3) est en place, que la maille est intacte et qu'il n'est pas bouché avec des débris. Voir *Entretien du filtre intérieur du réservoir*.
5. Suivre les instructions du fabricant du produit chimique pour la préparation du produit chimique. Remplir le pulvérisateur en versant

FRANÇAIS

le liquide dans l'ouverture supérieure, à travers le panier-filtre, jusqu'au volume désiré en mesurant à l'aide des traits de graduation sur le côté du réservoir.

- Nettoyer tout déversement, éclaboussure ou débordement de liquide sur le pulvérisateur.
- Insérer la batterie selon les directives qui se trouvent à *Installation de la batterie*.



Installation de la batterie

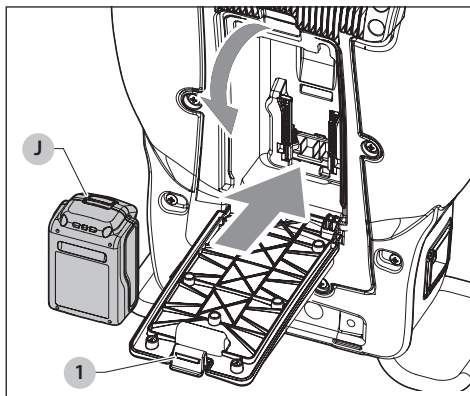
▲ AVERTISSEMENT : RISQUE DE FEU, DE BRÛLURE OU DE DÉCHARGES ÉLECTRIQUES. Pour réduire le risque d'incendie ou d'éclatement de la batterie, n'utiliser que des batteries Black+Decker qui sont en bonne condition et n'ont pas été endommagées. Ne pas utiliser de batteries qui sont mouillées ou qui ont été endommagées.

▲ AVERTISSEMENT : Prévenir les mises en marche non intentionnelles. S'assurer que l'interrupteur est en position de mise à l'arrêt avant de connecter le bloc-batterie, de soulever le pulvérisateur ou de le transporter. Transporter le pulvérisateur en ayant vos doigts sur l'interrupteur ou mettre sous tension le pulvérisateur avec l'interrupteur à la position de marche « ON », ouvre la porte aux accidents.

▲ ATTENTION : RISQUE DE PULVÉRISATION NON INTENTIONNELLE S'assurer que le pulvérisateur est à la position arrêt « OFF » et que le levier d'arrêt est relâché avant d'insérer la batterie. Le pulvérisateur pulvérisera lorsque la batterie est insérée, le pulvérisateur est à la position ON et le levier d'arrêt est enfoncé.

- S'assurer que le pulvérisateur est sur une surface stable et à l'arrêt.
- Ouvrir le compartiment de la batterie en poussant vers le bas sur le loquet (1) situé dans le haut de la porte et basculer la porte pour qu'elle s'ouvre, puis vers le bas.

- Aligner la batterie (J) avec les rails à l'intérieur du compartiment à batterie et la glisser dans le compartiment jusqu'à ce que la batterie (J) soit fermement installée et que l'attache d'assemblage s'enclique.
- Fermer la porte et s'assurer que le loquet (1) est bien fermé.



Retrait de la batterie

- S'assurer que le pulvérisateur est sur une surface stable et à l'arrêt.
- Ouvrir le compartiment de la batterie en poussant vers le bas sur le loquet (1) situé dans le haut de la porte et basculer la porte pour qu'elle s'ouvre, puis vers le bas.
- Appuyer sur le bouton de déclenchement et soulever la batterie (J) pour la déloger.
- Enlever la batterie (J) de son compartiment.
- Fermer la porte et s'assurer que le loquet (1) est bien fermé.

Voyant de charge de la batterie

- Lorsque la batterie est installée, vous pouvez vérifier sa durée de vie. Cette fonction est activée que l'appareil soit mis en marche ou à l'arrêt.
- Appuyer en continu sur le bouton de la batterie (2) pour allumer les voyants de charge.
- Quatre voyants verts indiquent 100 %, trois voyants verts indiquent 75 %, deux voyants verts indiquent 50 %, un voyant vert indique 25 % et un voyant rouge indique que la batterie doit être chargée.

Pulvérisation

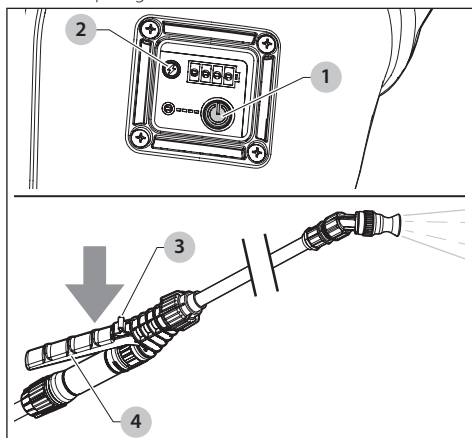
▲ AVERTISSEMENT : RISQUE DE BLESSURES PERSONNELLES ET DE DOMMAGES MATÉRIELS CAUSÉS PAR LA PULVÉRISATION NON INTENTIONNELLE DE SUBSTANCES CHIMIQUES. S'assurer que l'interrupteur de la mise à l'arrêt est relâché avant de commencer à pressuriser le pulvérisateur. Le pulvérisateur fonctionne lorsqu'il est pressurisé, si l'interrupteur de la mise à l'arrêt est pressé.

AVIS : RISQUE DE DÉGÂTS MATÉRIELS. N'utiliser le pulvérisateur que par temps calme (aucun vent ou mouvement de l'air) afin d'empêcher la substance chimique pulvérisée d'atterrir sur des surfaces non ciblées.

1. Appuyer sur bouton d'alimentation (1) pour mettre le pulvérisateur en marche. Si le pulvérisateur n'a pas été utilisé récemment, un faible son de ronronnement peut être audible. Cela indique que la pompe est en marche et que la pression s'accumule dans le flexible.

REMARQUE : Si le pulvérisateur a été utilisé récemment et qu'il y a encore de la pression dans le flexible, la pompe peut ne pas se mettre en marche jusqu'à ce que le levier d'arrêt (4) soit pressé.

2. Viser avec la lance dans la direction désirée et appuyer sur le levier d'arrêt (4).
3. Pour une pulvérisation continue, serrer le levier d'arrêt (4) et tourner le verrou vers le levier (3) pour maintenir le levier d'arrêt enfoncé.
4. Au besoin, pour arrêter la pulvérisation, débarrer et relâcher le levier d'arrêt (4).
5. Mettre le pulvérisateur à l'arrêt en appuyant sur le bouton d'alimentation (1).
6. Toujours enlever toute substance chimique et nettoyer le pulvérisateur lorsque la pulvérisation est terminée. Voir les sections *Nettoyage* et *Entreposage* de ce manuel.



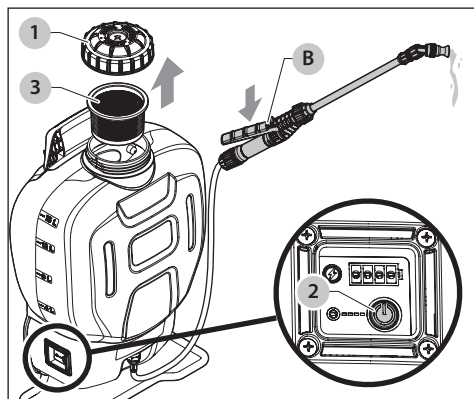
NETTOYAGE

▲ AVERTISSEMENT : Toujours relâcher la pression du pulvérisateur avant de le nettoyer. Le désassemblage du pulvérisateur qui est encore pressurisé peut entraîner l'éjection de composants à une vitesse élevée.

▲ AVERTISSEMENT : RISQUE DE BLESSURES PERSONNELLES DÉCOULANT D'UNE EXPOSITION À UNE SUBSTANCE CHIMIQUE. Utiliser l'équipement de protection individuelle (EPI) approprié comme recommandé par le fabricant de la substance chimique ou consulter la fiche signalétique de la substance chimique utilisée. L'EPI comprend au moins des lunettes de sécurité, des gants et des vêtements de protection.

▲ AVERTISSEMENT : RISQUE DE DOMMAGE AUX COMPOSANTS INTERNES. Si le pulvérisateur n'est pas bien rincé, des résidus de substances chimiques peuvent s'accumuler et boucher ou endommager les filtres, la pompe, l'assemblage d'arrêt, la lance et la buse. Les résidus de substances chimiques peuvent également contaminer les applications futures. Laisser des substances chimiques liquides dans le pulvérisateur lorsqu'il n'est pas utilisé peut entraîner une usure prématurée. Ne jamais entreposer le pulvérisateur s'il contient des substances chimiques dans n'importe quelle de ses pièces.

1. S'assurer que le pulvérisateur est en position d'arrêt et enlever la batterie comme décrit à la section *Retrait de la batterie*.
2. Enlever le capuchon (1) et vider ce qui reste de substance chimique du réservoir dans un contenant qui convient pour une utilisation future ou mettre au rebut selon les directives du fabricant de la substance chimique.
3. Utiliser de l'eau propre pour rincer à fond et vider le réservoir jusqu'à ce que toute substance chimique et tout résidu solide éliminés.
4. Ajouter environ un quart (1 litre) d'eau propre dans le réservoir.
5. Insérer la batterie selon les directives de la section *Installation de la batterie* et appuyer sur le bouton d'alimentation (2) pour mettre le pulvérisateur en marche.
6. Pulvériser de l'eau dans la pompe, le flexible, l'assemblage d'arrêt, la lance et la buse pendant au moins 30 secondes pour rincer ces composants. Ne pas rincer ces composants peut faire en sorte que des résidus de substances chimiques s'accumulent et bouchent ou endommagent les composants. Après une utilisation intense, rincer les buses pourrait ne pas être suffisant pour déloger les résidus. Les buses peuvent nécessiter un nettoyage à l'aide d'une petite brosse.
7. Vider toute l'eau qui reste dans le réservoir, continuer ensuite à pulvériser jusqu'à ce qu'il n'y ait plus d'eau qui sorte de la buse. Cela indique que la majeure partie de l'eau a été retirée du système.
8. Appuyer sur le bouton d'alimentation (2) pour mettre le pulvérisateur à l'arrêt et enlever la batterie.
9. Presser le levier d'arrêt (B) pour relâcher toute pression qui serait encore dans le flexible.
10. Laisser le pulvérisateur sécher. Il est plus facile d'exécuter cette directive en enlevant le capuchon (1) et le panier-filtre (3) et en suspendant le pulvérisateur à l'envers pour qu'il puisse s'égoutter.
11. Lorsque le pulvérisateur est sec, le remettre à l'endroit et réinstaller le panier-filtre (3) et le capuchon (1) pour éviter que des débris entrent dans le réservoir.



Nettoyage du bloc-batterie

Nettoyer la saleté et la graisse qui se trouvent à l'extérieur de la batterie en utilisant un chiffon ou une brosse souple non métallique. Ne pas utiliser de l'eau ou tout agent de nettoyage.

Directives de nettoyage du chargeur

⚠ AVERTISSEMENT : Risque de décharges électriques. Avant le nettoyage, déconnecter le chargeur de la prise c.a. La saleté et la graisse qui se trouvent à l'extérieur du chargeur peuvent être nettoyées à l'aide d'un chiffon ou d'une brosse souple non métallique. Ne pas utiliser de l'eau ou tout agent de nettoyage.

ENTREPOSAGE

Entreposer le pulvérisateur et la batterie à l'intérieur dans un endroit sec et tempéré à l'écart de la lumière directe du soleil et loin de toute source d'humidité ou de chaleur intense. Ne pas entreposer le pulvérisateur où les températures descendent sous 32°F ou 0°C. Si l'eau venait à geler à l'intérieur du pulvérisateur, cela pourrait endommager la pompe, les joints, l'assemblage d'arrêt et autres composants, et annuler la garantie du pulvérisateur.

TRANSPORT

⚠ AVERTISSEMENT : Risque d'incendie. Ne pas entreposer ou transporter le bloc-batterie alors que des objets de métal pourraient entrer en contact avec les bornes exposées de la batterie. Par exemple, ne pas placer le bloc-batterie dans un tablier, une poche, une boîte à outils, la boîte d'un ensemble du produit, un tiroir, etc., avec des clous, des vis, des clés, de la monnaie, des outils à main, etc. Lors du transport de blocs-batteries individuels, s'assurer que les bornes de la batterie sont protégées et bien isolées des matériaux qui pourraient entrer en contact avec elles et ainsi causer un court-circuit.

REMARQUE : Le bloc-batterie aux ions de lithium ne doit pas être placé dans les bagages enregistrés à bord d'un avion et doit être adéquatement protégé de tout court-circuit s'il est dans un bagage en cabine.

ENTRETIEN

⚠ AVERTISSEMENT : Pour réduire les risques de blessures personnelles graves, mettre l'appareil à l'arrêt et enlever le bloc-batterie avant d'effectuer tout ajustement ou d'enlever ou d'installer tout accessoire ou pièce. Une mise en marche accidentelle peut entraîner des blessures.

⚠ AVERTISSEMENT : RISQUE DE BLESSURES PERSONNELLES ET DE DOMMAGES MATÉRIELS DÉCOULANT D'UNE EXPOSITION À UNE SUBSTANCE CHIMIQUE. Toujours s'assurer que toute substance chimique a été retirée du pulvérisateur et que ce dernier a été nettoyé avant tout entretien.

⚠ AVERTISSEMENT : Déconnecter le bloc-batterie du pulvérisateur avant d'effectuer tout ajustement, changer les accessoires ou entreposer le pulvérisateur. De telles mesures de prévention réduisent le risque de mise en marche accidentelle du pulvérisateur.

⚠ AVERTISSEMENT : RISQUE DE BLESSURES PERSONNELLES. Toujours relâcher la pression du pulvérisateur avant d'effectuer tout entretien. Le désassemblage du pulvérisateur qui est encore pressurisé peut entraîner l'éjection de composants à une vitesse élevée. S'assurer que le pulvérisateur est arrêté et presser le levier d'arrêt jusqu'à ce que toute pression soit relâchée.

Réparations

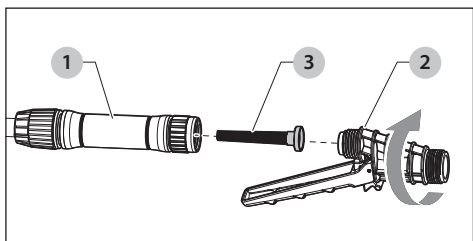
Aucune réparation ne peut être effectuée sur le chargeur et le bloc-batterie. Il n'y a aucune pièce pouvant être réparée à l'intérieur du chargeur ou du bloc-batterie.

⚠ AVERTISSEMENT : Afin d'assurer la SÉCURITÉ et la FIABILITÉ du produit, les réparations, les entretiens et les ajustements (incluant l'inspection de la brosse et son remplacement, lorsque cela s'applique) doivent être effectués par un centre de réparation de l'usine BLACK+DECKER ou un centre de réparation autorisé par BLACK+DECKER. Toujours utiliser des pièces de remplacement identiques.

Entretien de l'assemblage d'arrêt

⚠ AVERTISSEMENT : Avant d'effectuer l'entretien, toujours dépressuriser le pulvérisateur en mettant le pulvérisateur à l'arrêt et en pressant le levier d'arrêt pour pulvériser jusqu'à ce que l'écoulement de liquide cesse.

1. Dévisser la poignée (1) de l'assemblage d'arrêt (2).
2. Enlever le filtre (3).
3. Nettoyer tout débris qui se trouve à l'intérieur de la poignée, de l'assemblage d'arrêt ou du filtre en rinçant avec de l'eau froide et propre.
4. Assembler de nouveau les composants comme démontré et bien serrer toutes les connexions.



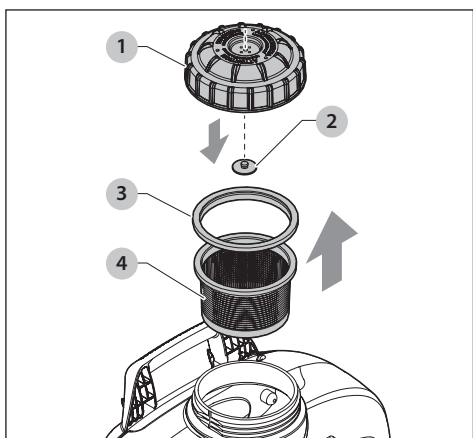
Entretien de la buse

▲ AVERTISSEMENT : Avant d'effectuer l'entretien, toujours dépressuriser le pulvérisateur en s'assurant que l'alimentation est coupée et presser ensuite le levier d'arrêt pour pulvériser jusqu'à ce que l'écoulement de liquide cesse.

- Si la buse est bouchée, enlever et désassembler l'assemblage de la buse.
- Nettoyer les ouvertures de toute obstruction ou de tout résidu. Ne pas utiliser un outil pointu qui pourrait égratigner ou endommager les buses, car les différents jets pourraient être affectés.

Entretien du capuchon et du panier-filtre

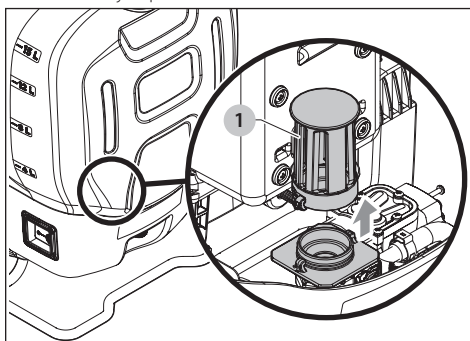
- Vérifier la valve de vérification (2) sur le capuchon (1) et le joint (3) sur le panier-filtre (4) pour s'assurer qu'ils ne démontrent pas de signe d'usure et qu'ils fonctionnent adéquatement.
- Les remplacer, le cas échéant.



Entretien du filtre intérieur du réservoir

▲ ATTENTION : RISQUE DE DOMMAGE AUX COMPOSANTS INTERNES. Ne pas faire fonctionner le pulvérisateur sans que le filtre intérieur du réservoir ne soit installé adéquatement. Sinon, des débris pourraient entrer dans la pompe et l'engorger ou l'endommager.

1. S'assurer que l'alimentation du pulvérisateur est coupée et enlever la batterie selon les directives de *Retrait de la batterie*.
 2. Enlever le capuchon et le panier-filtre. Rincer avec de l'eau propre pour enlever tout débris.
 3. Placer le panier filtre sur une surface propre où la saleté, la poussière, les résidus de coupe de pelouse ou autres débris ne s'y colleront pas.
 4. Verser tout liquide provenant du réservoir dans un contenant approprié pour une utilisation future ou mettre aux rebuts selon les directives du fabricant de la substance chimique.
 5. Rincer et vider le réservoir pour enlever tout débris, résidu ou saleté.
 6. Atteindre le filtre à l'intérieur du réservoir (1) situé au bas du réservoir et le retirer délicatement.
 7. Tourner le filtre intérieur du réservoir d'environ 1/8 de tour dans le sens horaire jusqu'à ce qu'il arrête de tourner et tirer vers le haut pour l'enlever du réservoir.
 8. Nettoyer soigneusement le filtre en rinçant de l'intérieur vers l'extérieur. S'assurer de ne pas déchirer ou endommager la maille. Sinon, des débris pourraient entrer dans la pompe et l'engorger ou l'endommager.
- REMARQUE :** Si le filtre intérieur du réservoir est endommagé ou trop sale pour pouvoir le nettoyer, le remplacer avec un nouveau filtre d'intérieur du réservoir.
9. Pour réinstaller le filtre intérieur du réservoir, le replacer doucement sur la base du filtre au bas du réservoir et le tourner lentement jusqu'à ce que les languettes de sûreté à la base du filtre soient alignées avec les rainures dans le filtre. Le filtre à l'intérieur du réservoir s'abaissera d'environ 1/8 po (3 mm) lorsque les rainures sont alignées.
 10. Pousser vers le bas sur le filtre intérieur du réservoir jusqu'à l'arrêt, environ un autre 1/4 po (6 mm), tourner ensuite le filtre intérieur du réservoir d'environ 1/8 po (3 mm) dans le sens horaire jusqu'à l'arrêt.



GARANTIE LIMITÉE DE DEUX ANS DE LA BATTERIE ET DU CHARGEUR

Black & Decker (É.-U.) Inc. Garantie que la batterie et le chargeur seront exempts de défauts de matériel et de fabrication pendant une période de deux (2) ans à partir de la date d'achat pourvu que le produit soit utilisé dans un milieu résidentiel. La garantie limitée ne couvre pas les produits ayant fait l'objet d'un usage abusif, de dommages accidentels ou lorsque les réparations ont été effectuées ou tentées par toute autre personne que BLACK+DECKER et ses centres de services autorisés. Un bloc-batterie et un chargeur défectueux qui satisfont aux présentes conditions de la garantie seront remplacés ou réparés sans frais d'une des deux façons suivantes :

La première façon, donnant lieu seulement à un remplacement, est de retourner le bloc-batterie ou le chargeur au revendeur chez qui ils ont été achetés (à la condition qu'ils aient été achetés chez un revendeur participant). Les retours doivent être effectués à l'intérieur de la période indiquée dans la politique d'échange du revendeur. Une preuve d'achat peut être requise. Veuillez vérifier avec le revendeur pour les détails de sa politique de retour en ce qui a trait à la limite de temps pour effectuer un retour ou un échange.

La deuxième façon est d'amener ou d'envoyer le bloc-batterie ou le chargeur (port payé) à un centre de réparation de BLACK+DECKER ou à un centre de réparation autorisé pour réparation ou remplacement à la discrétion de BLACK+DECKER. Une preuve d'achat peut être requise. Les centres de réparation appartenant à BLACK+DECKER ou autorisés par BLACK+DECKER sont énumérés en ligne à www.blackanddecker.com. Cette garantie ne s'applique pas au pulvérisateur ou aux accessoires du pulvérisateur. Cette garantie vous donne des droits légaux spécifiques et vous pouvez également avoir d'autres droits, qui varient d'une province à l'autre. Pour toute question, communiquer avec le gérant du centre de réparation BLACK+DECKER le plus près. Ce produit n'est pas destiné à une utilisation commerciale; une telle utilisation annulera la garantie. Toutes les autres garanties, expresses ou tacites, sont, par la présente, rejetées.

GARANTIE LIMITÉE DE DEUX ANS DU PULVÉRISATEUR

The Fountainhead Group, Inc. garantit que ce pulvérisateur (batterie et chargeur exclus) sera dépourvu de défaut de matériel et de fabrication pendant une période de deux ans à partir de la date où nous l'avons livré.

Nous ne donnons aucune autre garantie expresse et toutes les garanties tacites incluant la qualité

commerciale et d'adaptation sont limitées à deux ans à partir de la date où nous l'avons livré. Pendant la période de garantie, nous allons réparer ou remplacer toute pièce, qui après que nous l'ayons examinée, présente un défaut, mais nous ne paierons pas les frais de poste ou autre dépense. Pour obtenir un service relatif à la garantie, communiquer avec nous aux coordonnées suivantes : The Fountainhead Group, Inc., c/o Customer Service, 23 Garden Street, New York Mills, New York 13417, ou appeler sans frais au 800-311-9903 ou au 315-736-0037. La marchandise ne peut pas être retournée sans en avoir obtenu la permission au préalable et doit nous être retournée avec le port payé.

Ce service de garantie est une solution exclusive et nous ne sommes pas responsables de tout dommage indirect ou accessoire, ou de blessures corporelles ou dommages à la propriété.

La présente garantie ne doit pas s'appliquer à tout produit qui a fait l'objet d'une mauvaise utilisation, de négligence ou d'un accident, ou qui a été endommagé pendant la livraison, qui a fait l'objet d'une mauvaise application, de modifications ou de réparations par une personne non autorisée. La présente garantie s'applique seulement sur les produits qui appartiennent à des personnes qui achètent le produit directement de nous ou d'un de nos distributeurs ou marchands approuvés. Le droit est réservé pour l'incorporation subséquente de modifications de conception ou de pièces après publication et sans publication à nouveau de littérature descriptive ou de catalogues.

REMARQUE : *Les limitations sur la durée de la garantie implicite ou les dommages indirects peuvent ne pas s'appliquer à vous si votre province ne le permet pas. La présente garantie vous donne des droits légaux spécifiques en plus des droits que vous avez en vertu de la loi provinciale.*

Fabriqué sous licence par :

The Fountainhead Group, Inc.
23 Garden Street
New York Mills, NY 13417 U.S.A.

Télécopieur : 315-768-4220

Courriel : Info@TheFGI.com

www.TheFountainheadGroup.com

GUIDE DE DÉPANNAGE

S'ASSURER DE RESPECTER LES RÈGLES ET LES DIRECTIVES RELATIVES À LA SÉCURITÉ

Pour obtenir de l'aide avec votre produit, visiter notre site Web : www.BlackandDecker.com pour obtenir la liste des centres de réparation ou appeler BLACK+DECKER au 1-800-544-6986.

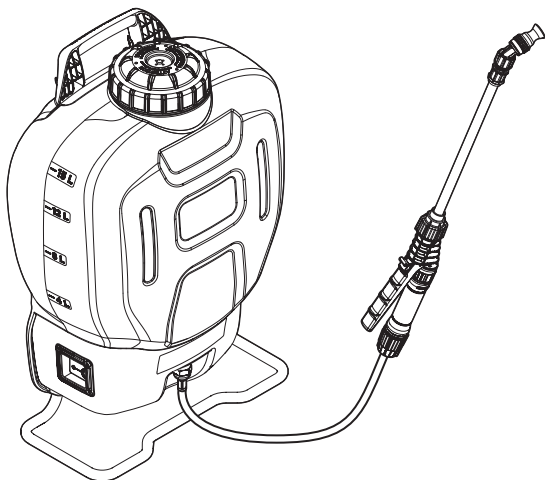
PROBLÈME	CAUSE POSSIBLE	SOLUTION
Le pulvérisateur ne fonctionne pas (il n'y a pas de son de ronflement de la pompe).	S'assurer que la batterie est installée correctement.	Installer la batterie correctement. Voir <i>Installation de la batterie</i> .
	S'assurer que la batterie est chargée.	Charger la batterie. Voir <i>Chargement de la batterie</i> .
	La batterie peut être endommagée ou peut avoir surchauffé. Regarder s'il y a des dommages sur la batterie.	Remplacer la batterie si elle est endommagée ou ne fonctionne pas. Si la batterie a surchauffé, la laisser refroidir.
Le pulvérisateur se met en marche (la tête de la pompe émet un son de ronronnement), mais il ne pulvérise pas.	Le flexible est pressurisé. La pompe s'est arrêtée automatiquement.	Presser le levier d'arrêt pour voir si le pulvérisateur démarre et la pompe se met en marche.
	Il n'y a pas de liquide dans le réservoir.	Ajouter du liquide dans le réservoir. Voir <i>Remplissage du réservoir</i> .
	Le levier d'arrêt est bouché.	Nettoyer le levier d'arrêt. Voir <i>Entretien de l'assemblage d'arrêt</i> .
	La buse est bouchée.	Nettoyer la buse. Voir <i>Entretien de la buse</i> .
Le pulvérisateur se met en marche, mais ne pulvérise qu'avec une faible pression.	La pompe n'est pas amorcée.	Attendre au moins 30 secondes pour que la pompe s'amorce.
	Le levier d'arrêt est bouché.	Nettoyer le levier d'arrêt. Voir <i>Entretien de l'assemblage d'arrêt</i> .
	La buse est bouchée.	Nettoyer la buse. Voir <i>Entretien de la buse</i> .
La pompe ne s'amorce pas complètement.	La pompe n'est pas amorcée.	Attendre au moins 30 secondes pour que la pompe s'amorce.
	Le niveau du liquide dans le réservoir est bas	Ajouter du liquide dans le réservoir. Voir <i>Remplissage du réservoir</i> .
	La pompe a fonctionné à sec (sans liquide) avant que le réservoir ne soit rempli.	S'assurer que le pulvérisateur est arrêté et presser le levier d'arrêt jusqu'à ce que toute pression soit relâchée.
Des résidus ou accumulations de substances chimiques se trouvent dans le réservoir ou la pompe en raison d'un nettoyage inapproprié ou inadéquat.		Nettoyer le pulvérisateur. Voir <i>Nettoyage</i> . Au besoin, répéter avec un mélange d'eau tiède et de détergent doux. Laisser le mélange dans la pompe pendant au plus une heure avant de rincer. Au besoin, remplacer la pompe.
	Le filtre intérieur du réservoir est mal installé, n'est pas présent ou est endommagé permettant aux débris de pénétrer dans la pompe.	Nettoyer le pulvérisateur. Voir <i>Nettoyage</i> . Au besoin, répéter avec un mélange d'eau tiède et de détergent doux. Laisser le mélange dans la pompe pendant au plus une heure avant de rincer. Au besoin, remplacer la pompe.

PROBLÈME	CAUSE POSSIBLE	SOLUTION
Le flexible fuit au niveau du raccord avec le réservoir.	Le flexible est craqué, gonflé ou défectueux.	Remplacer l'assemblage d'arrêt.
	La connexion est endommagée.	
Le flexible fuit au niveau de l'assemblage d'arrêt.	Le flexible est craqué, gonflé ou défectueux.	Remplacer l'assemblage d'arrêt.
	La connexion est endommagée.	
La buse coule lorsque le levier d'arrêt est relâché.	De la saleté ou des débris se trouvent dans le levier d'arrêt.	Nettoyer l'assemblage d'arrêt.
	Un joint torique ou un joint est endommagé dans l'assemblage d'arrêt.	Remplacer l'assemblage d'arrêt.
La pointe de la buse coule.	Le joint plat est manquant.	Installer un joint plat derrière la pointe de la buse. Voir <i>Assemblage</i> .
	Le joint plat est endommagé.	Remplacer le joint plat.
Le jet est faible.	La buse est partiellement bouchée.	Nettoyer la buse. Voir <i>Nettoyage</i> .
	La buse est endommagée.	Remplacer la buse.
L'appareil cesse brusquement de fonctionner.	Le bloc-batterie a atteint sa limite thermique maximale.	Laisser le bloc-batterie refroidir.
	La batterie est déchargée. Pour maximiser la durée de vie de la batterie, elle est conçue pour cesser brusquement de fonctionner lorsque la charge est épuisée.	Placer la batterie sur le chargeur et la laisser recharger.
Le bloc-batterie ne charge pas.	Le bloc-batterie n'est pas bien inséré dans le chargeur.	Insérer le bloc-batterie dans le chargeur jusqu'à ce que le voyant à DEL s'allume.
	Le chargeur n'est pas branché.	Brancher le chargeur dans une prise qui fonctionne.
	La température ambiante est trop chaude ou trop froide.	Déplacer le bloc-batterie dans un endroit où la température de l'air est au-dessus de 40°F (4,5°C) ou au-dessous de 104°F (40°C).

BLACK+ DECKER™

MANUAL DE INSTRUCCIONES

Pulverizador eléctrico de mochila



190657

Por favor, lea antes de devolver este producto por cualquier razón.

ÍNDICE

INSTRUCCIONES DE SEGURIDAD IMPORTANTES	35
SEGURIDAD EN EL USO DE PRODUCTOS QUÍMICOS	35
SEGURIDAD DEL PULVERIZADOR	35
<i>Información de seguridad adicional</i>	36
EL SELLO RBRC®	36
ENSAMBLAJE	36
<i>Contenido del paquete</i>	36
<i>Funcionalidad y usos de la boquilla</i>	37
<i>Ensamblaje del pulverizador</i>	37
<i>Conexión de una boquilla</i>	37
<i>Conexión del arnés</i>	37
FUNCIONAMIENTO	38
BATERÍAS Y CARGADORES	38
<i>Instrucciones importantes de seguridad para todos los cargadores de batería</i>	38
<i>Instrucciones de seguridad importantes para todas las baterías</i>	39
<i>Uso y cuidado de la herramienta a batería</i>	39
<i>Servicio</i>	40
<i>Indicadores de la batería</i>	40
<i>Carga de la batería</i>	40
<i>Llenado del pulverizador</i>	41
<i>Instalación de la batería</i>	42
<i>Retirar la batería</i>	42
<i>Indicador de carga de la batería</i>	42
<i>Rociado</i>	42
LIMPIEZA	43
<i>Limpiar de la batería</i>	43
<i>Instrucciones de limpieza del cargador</i>	43
ALMACENAMIENTO	44
TRANSPORTE	44
MANTENIMIENTO	44
<i>Reparaciones</i>	44
<i>Mantenimiento del conjunto de cierre</i>	44
<i>Mantenimiento de la boquilla</i>	44
<i>Mantenimiento de la cesta del colador y de la tapa</i>	44
<i>Mantenimiento del filtro del tanque</i>	45
GARANTÍA DE DOS AÑOS PARA CARGADOR Y BATERÍA	45
GARANTÍA LIMITADA DE DOS AÑOS PARA EL PULVERIZADOR	46

INSTRUCCIONES DE SEGURIDAD IMPORTANTES

DEFINICIONES

- ▲ **PELIGRO:** Indica una situación peligrosa que, si no se evita, provocará la muerte o lesiones graves.
 - ▲ **ADVERTENCIA:** Indica una situación peligrosa que, si no se evita, podría provocar la muerte o lesiones graves.
 - ▲ **PRECAUCIÓN:** Indica una situación peligrosa que, si no se evita, podría provocar lesiones leves o moderadas.
- AVISO:** Indica información considerada importante, pero no relacionada con el peligro (por ejemplo, mensajes relacionados con daños a la propiedad).

SEGURIDAD EN EL USO DE PRODUCTOS QUÍMICOS

- ▲ **PELIGRO:** RIESGO DE MUERTE, LESIONES GRAVES Y/O DAÑOS A LA PROPIEDAD DEBIDO AL USO O LA MEZCLA DE SUSTANCIAS QUÍMICAS INDEBIDAS.
 - Nunca use productos químicos inflamables o combustibles en este pulverizador. Rociar productos químicos inflamables o combustibles puede crear vapores combustibles que pueden encenderse y causar una explosión.
 - Use solo los productos químicos indicados para aplicaciones de rociado. Algunos productos químicos pueden crear una atmósfera tóxica o peligrosa cuando se rocían.
 - Consulte siempre las instrucciones del fabricante de los productos químicos y/o la hoja de datos de seguridad (SDS) de los productos químicos para una mezcla y aplicación seguras.

SEGURIDAD DEL PULVERIZADOR

- ▲ **ADVERTENCIA:** RIESGO DE LESIONES Y/O DAÑOS A LA PROPIEDAD DEBIDO A LA EXPOSICIÓN A PRODUCTOS QUÍMICOS.
 - Lea y comprenda todo el manual de instrucciones antes de usar este pulverizador.
 - Siga todas las instrucciones y precauciones del manual de instrucciones cuando utilice este pulverizador.
 - Lea y siga todas las instrucciones y precauciones de la etiqueta del fabricante de los productos químicos que se utilicen en este pulverizador.
 - Utilice el equipo de protección personal (EPP) adecuado según las recomendaciones del fabricante del producto químico y/o consulte la hoja de datos de seguridad (SDS) del producto químico que se utilizará. Esto incluye al menos gafas, guantes y ropa de protección. Si no se utiliza el equipo de protección personal adecuado se puede producir una exposición química a través del contacto con la piel, los ojos, la inhalación u otros medios.
- Después del ensamblaje inicial, un almacenamiento prolongado o cualquier evento que pueda haberlo dañado, como una caída, inspeccione siempre si el pulverizador está dañado y pruebe con agua corriente si funciona correctamente. Asegúrese de que todas las conexiones estén firmes y no tengan fugas, y que la manguera no esté dañada, antes de usar el pulverizador con productos químicos.
- Inspeccione siempre las mangueras y las conexiones antes de cada uso. Una manguera dañada o conexiones flojas pueden causar una descarga sin control de los productos químicos a alta presión.
- No rocíe cerca de llamas abiertas, superficies calientes o cualquier cosa que podría vaporizar el líquido. De hacerlo, se puede generar una atmósfera química peligrosa.
- Nunca use sustancias cáusticas, cloro, ácidos, agua caliente o productos químicos que produzcan presión en este pulverizador.
- Mantenga el pulverizador y todos los productos químicos fuera del alcance de niños y mascotas.
- Rocíe solo cuando no haya viento ni brisa para evitar que el rociado del producto químico se desvíe hacia superficies no deseadas.
- Libere siempre la presión cuando no use el pulverizador y antes de quitar la bomba del tanque.
- Nunca guarde productos químicos en el pulverizador.
- Almacene o deseche los productos químicos sin usar conforme a las instrucciones de sus respectivos fabricantes debido al potencial de daño ambiental por un derrame o fuga, y/o consulte los criterios de desecho a los que se hace referencia en la SDS.
- Limpie y enjuague el pulverizador después de cada uso para evitar la exposición no intencional a productos químicos y evitar contaminación en usos subsiguientes.
- Almacene el pulverizador en un lugar cálido, seco y sin polvo lejos de la luz solar directa.
- ▲ **ADVERTENCIA:** RIESGO DE LESIONES Y/O DAÑOS A LA PROPIEDAD DEBIDO A LA RUPTURA Y/O DESCARGA SIN CONTROL DE PRODUCTOS QUÍMICOS LÍQUIDOS A ALTA PRESIÓN.
 - Nunca modifique o altere el estado original del pulverizador. Nunca caliente ni modifique la manguera, la tuerca de la manguera o la lengüeta. Hacerlo podría debilitar los componentes y/o las conexiones.
 - Use solo piezas de repuesto del fabricante original. Otras piezas de repuesto no son compatibles con este pulverizador.
 - Nunca presurice el pulverizador con ningún

- dispositivo que no sea la bomba suministrada por el fabricante original. El uso de un compresor de aire u otro dispositivo no estándar para presurizar el tanque podría exceder la presión segura de funcionamiento del pulverizador.
- No levante, transporte o jale el pulverizador por la manguera, la válvula de cierre o la extensión de la varilla. Hacerlo podría debilitar los componentes y/o las conexiones. Lleve por el asa o el arnés solamente, asegurándose de que las conexiones estén bien aseguradas antes de levantar.
- Para reducir el riesgo de descarga eléctrica, no ponga el atomizador en agua u otro líquido. No coloque ni guarde el atomizador donde pueda caerse o ser empujado dentro de una bañera o lavabo.

Información de seguridad adicional

- ▲ **ADVERTENCIA:** No modifique nunca el pulverizador ni ninguna de sus partes. Podrían producirse daños o lesiones.

GUARDE ESTAS INSTRUCCIONES PARA SU USO FUTURO

EL SELLO RBRC®

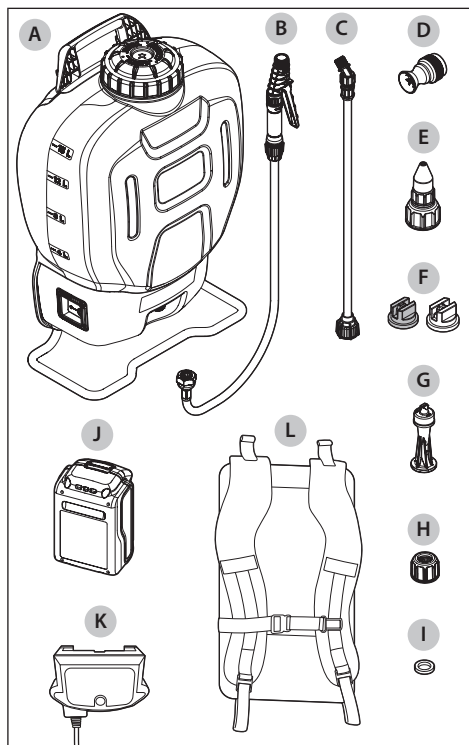
Por favor, lleve sus baterías gastadas a un centro de servicio autorizado de BLACK+DECKER o a su distribuidor local para su reciclaje. En algunas áreas, es ilegal tirar las baterías gastadas a la basura. También puede ponerse en contacto con su centro de reciclaje local para obtener información sobre dónde entregar la batería gastada. No la ponga con el resto de material de reciclaje en la acera. Para obtener más información, visite www.call2recycle.org o llame al número gratuito del sello RBRC®. RBRC® es una marca registrada de Call 2 Recycle, Inc.



ENSAMBLAJE

- ▲ **ADVERTENCIA:** RIESGO DE LESIONES Y/O DAÑOS A LA PROPIEDAD DEBIDO A LA EXPOSICIÓN A PRODUCTOS QUÍMICOS. Después del ensamblaje inicial, inspeccione siempre si el pulverizador está dañado y pruebe con agua corriente para verificar el funcionamiento correcto. Asegúrese de que todas las conexiones estén fijas y no tengan fugas, y que la manguera no esté dañada, antes de usar el pulverizador con productos químicos.
- ▲ **ADVERTENCIA:** Solo use accesorios recomendados por el fabricante.

Contenido del paquete



- | | | |
|--------------------------|-----------------------------|--|
| A Pulverizador | B Conjunto de cierre | C Varilla |
| D Adaptador de Dry-Touch | E Boquilla cónica ajustable | F Boquillas de abanico rojas y amarillas |
| G Boquilla de espuma | H Tuerca de sombrerete | I Junta plana |
| J Batería | K Cargador de batería | L Arnés |

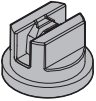
Funcionalidad y usos de la boquilla

Boquilla de espuma



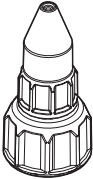
- Rociado localizado dentro o alrededor de lechos de flores, árboles y arbustos.
- Bordeado de cercas, entradas para vehículos y caminos.
- Eliminación de arbustos como hiedra venenosa, roble venenoso, kudzu y mora silvestre.
- Preparación de arriates para plantar plantas ornamentales y hortalizas.

Boquilla roja de gran volumen



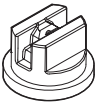
- Reemplazo del césped. Elimina el césped y las malas hierbas antes de plantar un nuevo césped.
- Preparación de áreas grandes para plantar plantas ornamentales y huertos.

Boquilla cónica ajustable



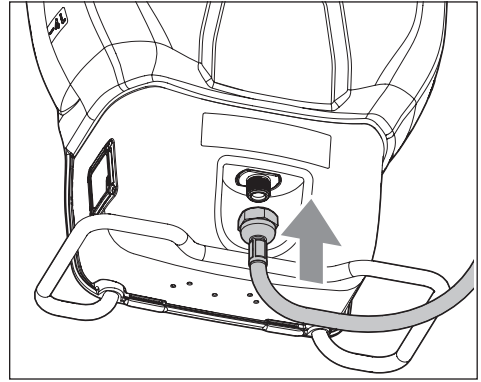
- Rociado focalizado en arriates, caminos, entradas para vehículos y patios, alrededor de árboles y arbustos.
- Bordeado de cercas, entradas para vehículos y caminos.
- Eliminación de arbustos como hiedra venenosa, roble venenoso, kudzu y mora silvestre.

Boquilla amarilla de bajo volumen



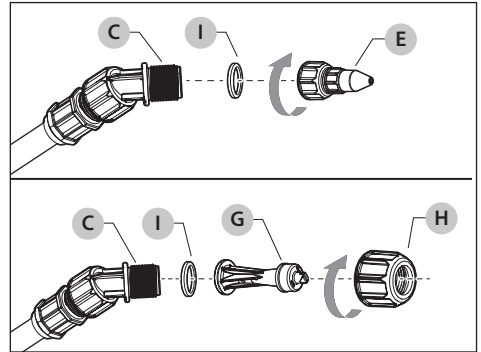
- Rociado de precisión en áreas como jardines y arriates.

3. Sujete el ensamblaje de cierre al cuerpo del atomizador.



Conexión de una boquilla

Sujete la boquilla seleccionada (E-G) en el extremo de la varilla (C) usando una arandela plana (I) y ajústela usando la tuerca ciega (H).

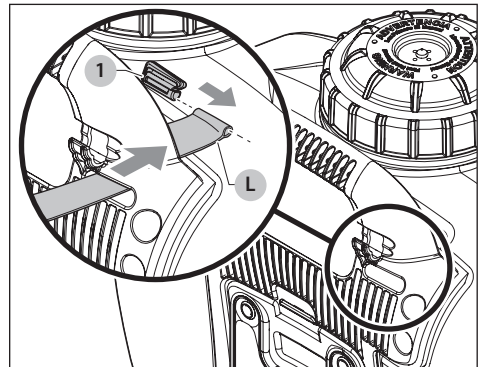
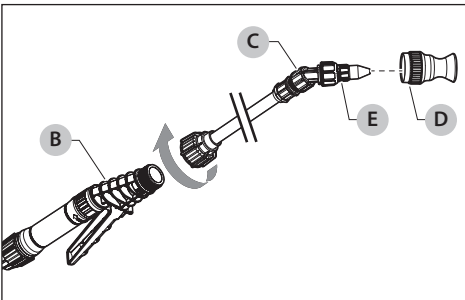


Conexión del arnés

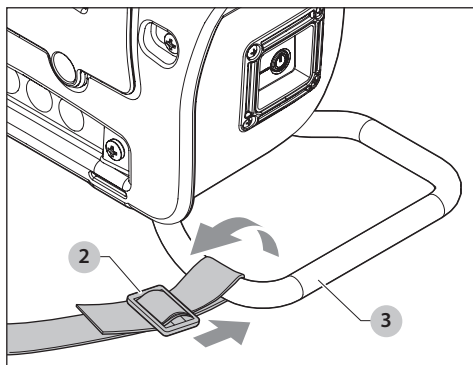
1. En cada lado, retire los pequeños clips de plástico (1) de los dos bucles de la correa para el hombro y pase cada bucle por las ranuras en la parte superior del asa.
2. Vuelva a colocar los clips (1) a través de los bucles y tire de la correa que sujeta las dos correas de los hombros en su lugar.

Ensamblaje del pulverizador

1. Instale la varilla (C) en el conjunto de cierre (B) y apriete la tuerca (1) en la varilla (C) para asegurarlos.
2. (Opcional) Use el Adaptador de Dry-Touch para un ajuste libre de contacto con los químicos.



1. Para las correas inferiores, retire la correa de la parte superior de las hebillas (2) y colóquela alrededor del soporte de apoyo (3), comenzando desde abajo.
2. Pase la correa por la primera sección de la hebilla (2). A continuación, pásela correa por la otra sección de la hebilla (2) para apretarla. Ajuste las hombreras y la longitud de las correas para un ajuste cómodo.



FUNCIONAMIENTO

⚠ ADVERTENCIA: RIESGO DE LESIONES DEBIDO A LA EXPOSICIÓN A PRODUCTOS QUÍMICOS. Utilice el equipo de protección personal (EPP) adecuado según las recomendaciones del fabricante del producto químico y/o consulte la hoja de datos de seguridad (SDS) del producto químico que se utilizará. Esto incluye al menos gafas, guantes y ropa de protección.

⚠ ADVERTENCIA: Para reducir el riesgo de lesiones graves, apague la unidad y quite la batería antes de realizar cualquier ajuste o de retirar o instalar accesorios. Una puesta en marcha accidental puede causar lesiones.

BATERÍAS Y CARGADORES

La batería no se entrega completamente cargada. Antes de utilizar la batería y el cargador, lea las instrucciones de seguridad que se indican a continuación y siga los procedimientos de carga que se indican. Cuando pida baterías de repuesto, asegúrese de incluir el número de catálogo y el voltaje.

Instrucciones importantes de seguridad para todos los cargadores de batería

⚠ ADVERTENCIA: Lea todas las advertencias de seguridad, las instrucciones y las marcas de precaución de la batería, el cargador y el producto. El incumplimiento de las advertencias e instrucciones puede provocar descargas eléctricas, incendios y/o lesiones graves.

- **NO intente cargar la batería con ningún otro cargador que no sea uno de BLACK +DECKER.** Los cargadores y las baterías de BLACK+DECKER están diseñados específicamente para trabajar juntos.

• **Estos cargadores no están diseñados para otros usos que no sean la carga de baterías recargables BLACK+DECKER.**

Cargar otros tipos de baterías puede causar que se sobrecalienten y exploten, y provocar lesiones personales, daños materiales, incendios, descargas eléctricas o electrocución.

- **No exponga el cargador a la lluvia o a la nieve.**
- **No permita que agua o algún líquido entre al cargador.**

• **Tire del enchufe en lugar del cable al desconectar el cargador.** Esto reducirá el riesgo de que se dañe el enchufe eléctrico y el cable.

• **Asegúrese de que el cable esté ubicado de manera que no se pise, no cause tropiezos ni se someta a daños o tensiones.**

• **No use una extensión a menos que sea absolutamente necesario.** El uso de una extensión inadecuada podría provocar riesgo de incendio, descarga eléctrica o electrocución.

• **Cuando utilice un cargador al aire libre, hágalo siempre en un lugar seco y utilice una extensión adecuada para uso en exteriores.** El uso de un cable apto para uso en exteriores reduce el riesgo de descarga eléctrica.

• **Las extensiones deben ser del calibre adecuado (AWG o American Wire Gauge) por seguridad.** Cuanto menor sea el número de calibre del cable, más pesado es el cable y por lo tanto mayor es su capacidad. Un cable de tamaño insuficiente causará una caída en el voltaje de la línea que provocará la pérdida de potencia y sobrecalentamiento. La siguiente tabla muestra el tamaño correcto a utilizar dependiendo de la longitud total de todas las extensiones enchufadas y el amperaje indicado en la placa de características. En caso de duda, use el siguiente calibre de más capacidad.

Calibre mínimo para los juegos de cables

Voltaje		Longitud total del cable en pies (metros)			
120 V		25 (7.6)	50 (15.2)	100 (30.5)	150 (45.7)
Amperaje		American Wire Gauge			
Más de	No más de				
0	6	18	16	16	14
6	10	18	16	14	12
10	12	16	16	14	12
12	16	14	12	No recomendado	

• **No coloque ningún objeto encima del cargador.** Ponga el cargador en un lugar alejado de toda fuente de calor.

• **No utilice el cargador con un cable o enchufe dañados;** haga que los reemplacen inmediatamente.

- **No utilice el cargador si ha recibido un golpe fuerte, se ha caído o se ha dañado de alguna manera.** Llévelo a un centro de servicio autorizado.
- **No desmonte el cargador; llévelo a un centro de servicio autorizado cuando requiera mantenimiento o reparación.** El reensamblado incorrecto puede provocar riesgo de descarga eléctrica, electrocución o incendio.
- **El cargador está diseñado para funcionar con energía eléctrica doméstica estándar de 120 V.** No intente utilizarlo con ningún otro voltaje.
- **Los materiales extraños de naturaleza conductora, tales como, entre otros, polvo de esmerilado, virutas de metal, lana de acero, papel de aluminio o cualquier acumulación de partículas metálicas, deben mantenerse alejados de los puertos de carga del cargador.**
- **Desconecte siempre el cargador de la fuente de alimentación cuando no haya una batería en él.**

Instrucciones de seguridad importantes para todas las baterías

▲ ADVERTENCIA: Lea todas las advertencias de seguridad, las instrucciones y las marcas de precaución de la batería, el cargador y el producto. El incumplimiento de las advertencias e instrucciones puede provocar descargas eléctricas, incendios y/o lesiones graves.

- **No cargue ni utilice la batería en atmósferas explosivas, como en presencia de líquidos, gases o polvo inflamables.** Insertar o quitar la batería del cargador puede encender el polvo o los vapores.
- **Nunca fuerce la batería en el cargador. NO modifique la batería de ninguna manera para que encaje en un cargador no compatible, ya que la batería puede romperse y causar lesiones graves.**
- **Cargue las baterías solo en el cargador BLACK+DECKER.**
- **NO salpique o sumerja en agua u otros líquidos.**
- **NO deje que entre agua o cualquier líquido en la batería.**
- **No almacene ni utilice la herramienta y la batería en lugares donde la temperatura pueda alcanzar o superar los 104 °F (40 °C) (como cobertizos exteriores o edificios metálicos en verano).** Para obtener la mejor vida útil, almacene las baterías en un lugar fresco y seco.
NOTA: No almacene las baterías en una herramienta con el interruptor fijo en la posición de encendido. No utilice nunca cinta adhesiva para mantener el interruptor en la posición de ENCENDIDO.

- **No incinere la batería, incluso si está muy dañada o completamente gastada.** La batería puede explotar al quemarse. Al quemarse, las baterías de iones de litio producen gases y materiales tóxicos.
- **Si el contenido de la batería entra en contacto con la piel, lave inmediatamente el área con agua y jabón suave.** Si el líquido de la batería entra en el ojo, enjuague con agua con el ojo abierto durante 15 minutos o hasta que cese la irritación. Si se necesita atención médica, el electrolito de la batería está compuesto por una mezcla de carbonatos orgánicos líquidos y sales de litio.
- **El contenido de las celdas de la batería abiertas puede causar irritación respiratoria.** Proporcione aire fresco. Si los síntomas persisten, busque atención médica.
- **El líquido de la batería puede ser inflamable si se expone a chispas o llamas.**
- **No intente abrir nunca la batería por ninguna razón. Si la carcasa de la batería está agrietada, no la inserte en el cargador.** No aplaste, deje caer ni dañe la batería. No utilice una batería o cargador que hayan recibido un golpe fuerte, se hayan caído, hayan sido aplastadas por un vehículo o se hayan dañado de alguna manera (por ejemplo, perforado con un clavo, golpeado con un martillo, pisado).
- Las baterías dañadas deben devolverse al centro de servicio para su reciclaje.

Uso y cuidado de la herramienta a batería

- **Recargue sólo con el cargador especificado por el fabricante.** Un cargador adecuado para un tipo de batería puede crear un riesgo de incendio cuando se utiliza con otra batería.
- **Las herramientas eléctricas sólo deben usarse con las baterías diseñadas específicamente para ellas.** El uso de cualquier otra batería puede crear un riesgo de lesiones y de incendio.
- Este pulverizador se entrega con una batería Black + Decker LBRX2020 y un cargador LCS1620.

Baterías y cargadores compatibles*

Li-Ion 20V Max**	Baterías	LBRX20, LBRX20BT***, LBRX2020, LBRX2520, LB2X3020, LB2X4020
	Cargadores	LCS20, L2AFC, L2AFCBST, LCS201, LCS1620, L2AFC, L2AFCBST, LCS200, BDCA202

*Las baterías enumeradas son compatibles entre sí y el pulverizador.

**El voltaje máximo inicial de la batería (medido sin carga de trabajo) es de 20 voltios. El voltaje nominal es de 18 voltios.

***BT - Bluetooth®

NOTA: La marca denominativa y los logotipos de Bluetooth® son marcas registradas propiedad de Bluetooth®, SIG, Inc. y cualquier uso de dichas marcas por parte de Black + Decker es bajo licencia. Otras marcas comerciales y nombres comerciales pertenecen a sus respectivos propietarios.





⚠ ADVERTENCIA: El uso de cualquier otra batería puede crear un riesgo de lesiones y de incendio.

- **Cuando la batería no esté en uso, manténgala alejada de otros objetos metálicos, como clips, monedas, llaves, clavos, tornillos u otros pequeños objetos metálicos, que puedan hacer una conexión de un terminal a otro.** Causar un cortocircuito en los terminales de la batería puede causar quemaduras o un incendio.
- **En condiciones abusivas, se puede expulsar líquido de la batería; evite el contacto. Si se produce contacto accidental, enjuague con agua. Si el líquido entra en contacto con los ojos, busque también ayuda médica. El líquido expulsado de la batería puede causar irritación o quemaduras.**
- **No utilice una batería o una herramienta que esté dañada o que se haya modificado.** Las baterías dañadas o modificadas pueden tener un comportamiento impredecible y causar incendios, explosiones o riesgo de lesiones.
- **No exponga una batería o herramienta al fuego o a una temperatura excesiva.** La exposición al fuego o temperaturas superiores a 265 °F (130 °C) puede provocar una explosión.
- **Siga todas las instrucciones de carga y no cargue la batería o la herramienta fuera del intervalo de temperatura especificado en las instrucciones.** La carga inadecuada o a temperaturas fuera del intervalo especificado puede dañar la batería y aumentar el riesgo de incendio.

Servicio

- **Haga que su herramienta eléctrica sea reparada por una persona calificada usando sólo piezas de repuesto idénticas.** Esto garantizará que la calidad de la herramienta eléctrica se mantenga.
- **No repare nunca las baterías dañadas.** El servicio de las baterías sólo debe ser realizado por el fabricante o los proveedores de servicio autorizados.

Indicadores de la batería

	Cargando	— — — — —
	Batería cargada	—————
	Retardo por batería caliente/fría	— • — • — • — •
	Mala batería	• • • • • • • •

Carga de la batería

⚠ WARNING: No cargue la batería en temperaturas extremas. Se recomienda cargar la batería a temperaturas ambiente entre 32 y 104°F (0 y 40°C).

Para cargar la batería:

1. Enchufe el cargador en una toma de corriente apropiada.
2. Inserte y asiente la batería. La luz verde de carga parpadeará continuamente mientras se carga.
3. La carga está completa cuando la luz verde permanece encendida de forma fija. Puede dejar la batería en el cargador o retirarla.

NOTA: El cargador no cargará una batería defectuosa, lo cual puede indicarse mediante el parpadeo rápido de la luz roja o por la luz apagada. Lleve el cargador y la batería a un centro de servicio autorizado si la luz permanece apagada o si la luz roja parpadea rápidamente.

NOTA: Consulte la etiqueta cerca de la luz de carga en el cargador para ver los patrones de parpadeo.

Retardo por batería caliente/fría

Cuando el cargador detecta una batería que está demasiado caliente o demasiado fría, inicia automáticamente el retardo por batería caliente/fría. Este retardo suspende la carga hasta que la batería alcanza una temperatura adecuada. El cargador cambia automáticamente al modo de carga de la batería, asegurando la máxima longevidad de la misma.

Una batería fría puede cargarse a un ritmo más lento que una batería caliente. El retardo por batería caliente/fría se indica mediante un parpadeo breve de la luz roja seguido de un parpadeo prolongado de la misma (consulte el patrón de parpadeo en el cargador). Una vez que la batería ha alcanzado la temperatura adecuada, el cargador reanuda la carga.

Sistema de protección electrónica

Las herramientas con baterías de iones de litio están diseñadas con un sistema de protección electrónica que protege las baterías contra sobrecargas, sobrecalentamientos o descargas profundas.

Observaciones importantes sobre la carga

El cargador y la batería pueden sentirse calientes al tacto durante la carga. Esto es normal y no indica ningún problema. Para facilitar el enfriamiento de la batería después del uso, evite colocar el cargador o la batería en un entorno cálido como un cobertizo de metal o un remolque sin aislamiento.

Si la batería no se carga correctamente:

- Compruebe el funcionamiento de la toma de corriente enchufando una lámpara u otro aparato.
- Compruebe si la toma de corriente está conectada a un interruptor que corte el suministro eléctrico al accionarlo.
- Si los problemas de carga persisten, lleve el producto, la batería y el cargador a su centro de servicio local.

Puede cargar una batería parcialmente usada en cualquier momento sin que ello afecte negativamente a la misma.

Sistemas de batería y cargador BLACK+DECKER

Tiempo de carga** (Horas) (0 % a 100 % de carga)							
Baterías 20V MAX*	Vatios hora	Cargadores 20V MAX*					
		LCS200	LCS1620	LCS201	L2AFC	L2AFCBST	BDCAC202B
LBX20	26	6.5	3.25	1.3	0.65	0.65	0.65
LBXR20	30	7.5	3.75	1.5	0.75	0.75	0.75
LBXR20BT	30	7.5	3.75	1.5	0.75	0.75	0.75
LBXR2020	40	10	5	2	1	1	1
LBXR2520	50	12.5	6.25	2.5	1.25	1.25	1.25
LB2X3020	60	15	7.5	3	1.5	1.5	1.5
LB2X4020	80	20	10	4	2	2	2

**Todos los tiempos de carga son aproximados. El tiempo de carga real puede variar.

Llenado del pulverizador

⚠ PELIGRO: RIESGO DE MUERTE, LESIONES GRAVES Y/O DAÑOS A LA PROPIEDAD DEBIDO AL USO O LA MEZCLA DE SUSTANCIAS QUÍMICAS INDEBIDAS.

- Nunca use productos químicos inflamables o combustibles en este pulverizador. Rocíar productos químicos inflamables o combustibles puede crear vapores combustibles que pueden encenderse y causar una explosión.
- Use solo los productos químicos indicados para aplicaciones de rociado. Algunos productos químicos pueden crear una atmósfera tóxica o peligrosa cuando se rocían.
- Consulte siempre las instrucciones del fabricante de los productos químicos y/o la hoja de datos de seguridad (SDS) de los productos químicos para una mezcla y aplicación seguras.

⚠ ADVERTENCIA: Inspeccione el pulverizador, la manguera, el cierre, la varilla y todas las conexiones para descartar daños antes de cada uso. Una conexión de manguera dañada o suelta puede dar lugar a una exposición involuntaria a los productos químicos presurizados, lo que provocaría lesiones graves o daños a la propiedad.

Antes de empezar

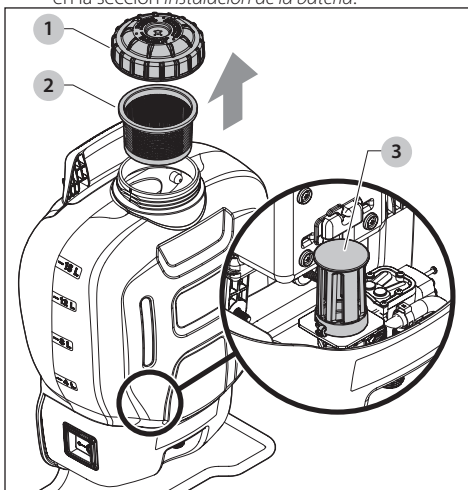
Pruebe el pulverizador con agua corriente antes de usarlo con productos químicos, antes de su uso inicial y después de un almacenamiento prolongado.

Coloque el pulverizador en una superficie estable y asegúrese de que esté apagado.

Retire la batería del compartimiento de la batería. Ver *Retirar batería*.

Procedimiento de llenado

1. Desensrosque la tapa (1) y colóquela sobre una superficie limpia en la que no se acumule suciedad, polvo, recortes de hierba u otros desechos.
2. Retire la cesta del colador (2) y retire los residuos. Coloque la cesta del colador (2) sobre una superficie limpia en la que no se acumule suciedad, polvo, recortes de hierba u otros desechos.
3. Inspeccione el interior del tanque en busca de suciedad y límpielo si es necesario.
4. Compruebe que el filtro del depósito (3) está en su sitio, que la malla está intacta y que no está obstruida por suciedad. Ver *Mantenimiento del filtro del tanque*.
5. Siga las instrucciones del fabricante del producto químico para prepararlo. Llene el atomizador vertiendo el líquido en la abertura superior y por la canasta con colador hasta obtener el volumen deseado, siguiendo las marcas de volumen en el costado del tanque.
6. Limpie todos los derrames, salpicaduras o desbordamientos de líquido en el pulverizador.
7. Inserte la batería de acuerdo con las instrucciones en la sección *Instalación de la batería*.



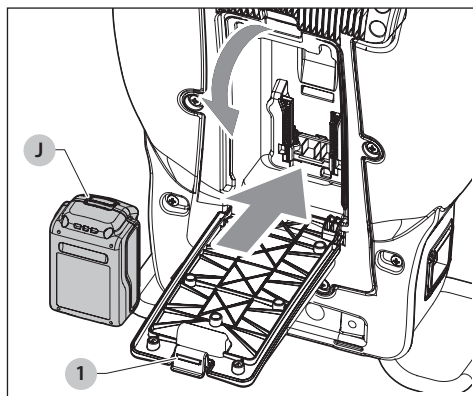
Instalación de la batería

▲ ADVERTENCIA: RIESGO DE INCENDIO, QUEMADURAS O DESCARGA ELÉCTRICA. Para reducir el riesgo de incendio o explosión de las baterías, use solo baterías Black+Decker en buen estado y que no estén dañadas. No utilice baterías que estén mojadas o que hayan sido dañadas.

▲ ADVERTENCIA: Evite el arranque involuntario. Asegúrese de que el interruptor esté en la posición de apagado antes de conectar la batería, levantar o transportar el pulverizador. Llevar el pulverizador con el dedo en el interruptor o activar el pulverizador con el interruptor encendido puede provocar accidentes.

▲ PRECAUCIÓN: RIESGO DE ROCIADO INESPERADO. Asegúrese de que el pulverizador esté apagado y de que la palanca de cierre no esté presionada antes de insertar la batería. El atomizador rociará cuando se inserte la batería si el interruptor está encendido y la palanca de cierre está presionada.

1. Asegúrese de que el pulverizador esté apagado y sobre una superficie estable.
2. Abra el compartimiento de la batería presionando hacia abajo el pestillo de la puerta (1) ubicado en la parte superior de la puerta y gire la puerta para abrirla y bajarla.
3. Alinee la batería (J) con los rieles dentro del compartimiento de baterías y deslícelo en el compartimiento hasta que la batería (J) esté firme y el clip localizador esté enganchado.
4. Cierre la puerta y asegúrese de que el pestillo de la puerta (1) esté enganchado.



Retirar la batería

1. Asegúrese de que el pulverizador esté apagado y sobre una superficie estable.
2. Abra el compartimiento de la batería presionando hacia abajo el pestillo de la puerta (1) ubicado en la parte superior de la puerta y gire la puerta para abrirla y bajarla.
3. Presione el botón para soltar la batería y levante la batería (J) hasta que salga..

4. Retire la batería (J) del compartimiento.
5. Cierre la puerta y asegúrese de que el pestillo de la puerta (1) esté enganchado.

Indicador de carga de la batería

1. Cuando la batería esté puesta, puede verificar la duración de la misma. Esta función está activa tanto si el dispositivo está encendido como APAGADO.
2. Mantenga presionado el botón de la batería (2) para encender las luces indicadoras.
3. Cuatro luces verdes indican 100 %; tres luces verdes indican 75 %, dos luces verdes indican 50 %, una luz verde indica 25 % y una luz roja indica que la batería debe cargarse.

Rociado

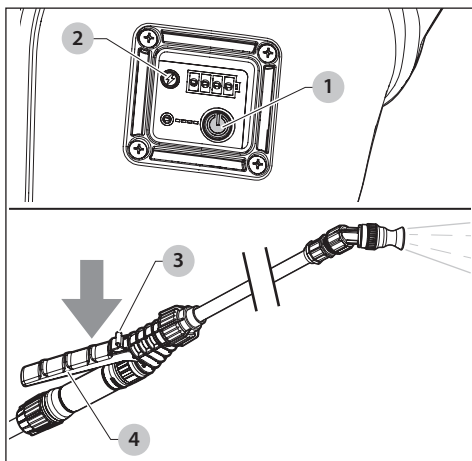
▲ ADVERTENCIA: RIESGO DE LESIONES PERSONALES Y/O DAÑOS A LA PROPIEDAD DEBIDO AL ROCIADO NO DESEADA DE PRODUCTOS QUÍMICOS. Asegúrese de que el gatillo de cierre no esté presionado antes de comenzar a presurizar el pulverizador. El pulverizador rociará al presurizar si se presiona el gatillo de cierre.

AVISO: RIESGOS DE DAÑO A LA PROPIEDAD. Rocíe solo cuando no haya viento ni brisa para evitar que el rociado del producto químico se desvíe hacia superficies no deseadas.

1. Presione el botón de Encendido (1) para encender el pulverizador. Si el pulverizador no se ha utilizado recientemente, es posible que escuche un zumbido bajo y audible. Esto indica que la bomba se ha encendido y está acumulando presión en la manguera.

NOTA: Si el pulverizador se utilizó recientemente, y todavía tiene presión en la manguera, la bomba podría no encenderse hasta que se apriete la palanca de cierre (4).

2. Apunte la varilla en la dirección deseada de rociado y apriete la palanca de cierre (4).
3. Para un rociado continuo, presione la palanca de cierre (4) y rote el seguro hacia la palanca (3) para sostener la palanca de cierre (4) en la posición presionada.
4. Desbloquee, si es necesario, y libere la palanca de cierre (4) para detener el rociado.
5. Para apagar el pulverizador, presione el botón de encendido (1).
6. Vacíe siempre los productos químicos del pulverizador y límpielo cuando termine. Ver las secciones *Limpieza* y *Almacenamiento* de este manual.

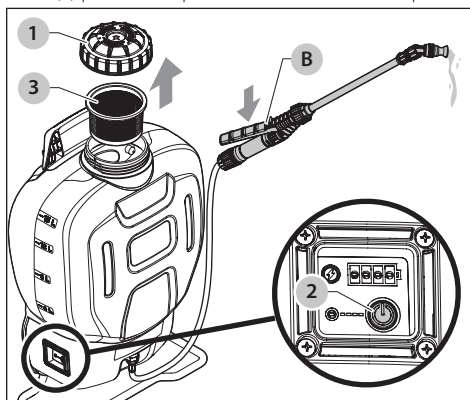


LIMPIEZA

- ▲ **ADVERTENCIA:** Libere siempre la presión del pulverizador antes de la limpieza. Desmontar un pulverizador que todavía está presurizado puede provocar la expulsión a alta velocidad de los componentes.
- ▲ **ADVERTENCIA: RIESGO DE LESIONES DEBIDO A LA EXPOSICIÓN A PRODUCTOS QUÍMICOS.** Utilice el equipo de protección personal (EPP) adecuado según las recomendaciones del fabricante del producto químico y/o consulte la hoja de datos de seguridad (SDS) del producto químico que se utilizará. Esto incluye al menos gafas, guantes y ropa de protección.
- ▲ **ADVERTENCIA: RIESGO DE DAÑO A LOS COMPONENTES INTERNOS.** Si el pulverizador no se enjuaga adecuadamente, se pueden acumular residuos químicos que pueden obstruir o dañar los filtros, la bomba, el cierre, la varilla y la boquilla. La acumulación de residuos químicos también puede contaminar las aplicaciones posteriores. Dejar líquidos químicos en el pulverizador cuando no se usa puede dar lugar a un desgaste prematuro del mismo. No almacene nunca el pulverizador con productos químicos en ninguna parte del mismo.

1. Asegúrese de que el pulverizador esté apagado y quite la batería según las indicaciones de la sección Retirar la batería.
2. Retire la tapa (1) y vierta cualquier producto químico que quede en el tanque en un recipiente adecuado para su uso posterior o deséchelo de acuerdo con las instrucciones del fabricante del producto químico.
3. Use agua limpia para enjuagar y vaciar el tanque hasta eliminar todos los productos químicos y residuos.
4. Añada aproximadamente 1 cuarto (1 litro) de agua limpia al tanque.

5. Inserte la batería según las instrucciones de la sección *Instalación de la batería* y presione el botón de encendido (2) para encender el pulverizador.
6. Rocíe agua a través de la bomba, la manguera, el cierre, la varilla y la boquilla durante al menos 30 segundos para enjuagarlos. No enjuagar estos componentes puede permitir la acumulación de residuos químicos que pueden obstruir o dañar los componentes. Después de un uso intenso, enjuagar las boquillas puede no ser suficiente para eliminar los residuos. Puede ser necesario limpiar las boquillas con un cepillo pequeño.
7. Vacíe el agua restante del tanque y continúe rociando hasta que ya no salga agua de la boquilla. Esto indica que se ha eliminado la mayor parte de agua del sistema.
8. Presione el botón de encendido (2) para apagar el pulverizador y retire la batería.
9. Apriete la palanca de cierre (B) para liberar cualquier presión restante en la manguera.
10. Permita que el pulverizador se seque. La mejor manera de hacerlo es quitar la tapa (1) y la cesta del colador (3) y colgar el pulverizador al revés para que se vacíe.
11. Una vez que el pulverizador se haya secado, ponga el pulverizador en posición vertical y vuelva a colocar la cesta del colador (3) y la tapa (1) para evitar que entre suciedad en el depósito.



Limpienza de la batería

Elimine la suciedad y la grasa del exterior de la batería con un paño o un cepillo suave no metálico. No use agua ni ninguna solución de limpieza.

Instrucciones de limpieza del cargador

- ▲ **ADVERTENCIA: Riesgo de descarga.** Desconecte el cargador de la toma de corriente antes de limpiarlo. La suciedad y la grasa pueden eliminarse del exterior del cargador con un paño o un cepillo suave no metálico. No use agua ni ninguna solución de limpieza.

ALMACENAMIENTO

Guarde el pulverizador y la batería en un lugar cálido y seco, fuera de la luz directa del sol y lejos de cualquier fuente de humedad o calor intenso. No guarde el pulverizador en donde se produzcan temperaturas de congelación (por debajo de 32 °F/0 °C). Permitir que el agua se congele dentro del pulverizador puede causar daños en la bomba, a las juntas, al cierre o a otros componentes, y anular la garantía.

TRANSPORTE

▲ **ADVERTENCIA:** Peligro de incendio. No almacene, lleve o transporte la batería de manera que objetos metálicos puedan entrar en contacto con los terminales expuestos de la misma. Por ejemplo, no coloque la batería en delantales, bolsillos, cajas de herramientas, cajas de productos, cajones, etc., con clavos sueltos, tornillos, llaves, monedas, herramientas de mano, etc.

Cuando transporte baterías individuales, asegúrese de que los terminales de las mismas estén protegidos y bien aislados de materiales que puedan entrar en contacto con ellos y causar un cortocircuito.

NOTA: Las baterías de iones de litio no deben colocarse en el equipaje facturado de los aviones y deben protegerse adecuadamente contra los cortocircuitos si están en el equipaje de mano.

MANTENIMIENTO

▲ **ADVERTENCIA:** Para reducir el riesgo de lesiones graves, apague la unidad y quite la batería antes de realizar cualquier ajuste o de retirar o instalar accesorios. Una puesta en marcha accidental puede causar lesiones.

▲ **ADVERTENCIA: RIESGO DE LESIONES Y/O DAÑOS A LA PROPIEDAD DEBIDO A LA EXPOSICIÓN A PRODUCTOS QUÍMICOS.** Asegúrese siempre de que se hayan eliminado todos los productos químicos del pulverizador y que este se haya limpiado antes de realizar cualquier mantenimiento.

▲ **ADVERTENCIA:** Desconecte la batería del pulverizador antes de hacer cualquier ajuste, cambiar los accesorios o guardar el pulverizador. Estas medidas preventivas reducen el riesgo de que el pulverizador se ponga en marcha accidentalmente.

▲ **ADVERTENCIA: RIESGO DE LESIONES.** Siempre libere la presión del pulverizador antes de realizar cualquier mantenimiento. Desmontar un pulverizador que todavía está presurizado puede provocar la expulsión a alta velocidad de los componentes. Asegúrese de que el pulverizador esté apagado y apriete la palanca de cierre hasta que se libere toda la presión.

Reparaciones

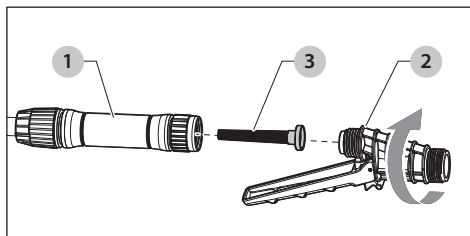
El cargador y la batería no pueden repararse. No hay piezas reparables en el interior del cargador o en la batería.

▲ **ADVERTENCIA:** Para garantizar la **SEGURIDAD Y FIABILIDAD** del producto, las reparaciones, el mantenimiento y el ajuste (incluyendo la inspección y el reemplazo de las escobillas, cuando corresponda) deben ser realizados por un centro de servicio de la fábrica de BLACK+DECKER o un centro de servicio autorizado de BLACK+DECKER. Siempre use repuestos idénticos.

Mantenimiento del conjunto de cierre

▲ **ADVERTENCIA:** Antes de realizar el mantenimiento, despresurice siempre el pulverizador apagándolo y apretando la palanca de cierre para pulverizar hasta que el flujo de líquido se detenga.

1. Desenrosque la manija (1) del conjunto de cierre (2).
2. Retire el filtro (3).
3. Limpie todos los restos de suciedad del interior del mango, del conjunto de cierre o del filtro enjuagándolo con agua fría y limpia.
4. Vuelva a montar los componentes como se muestra y apriete bien todas las conexiones.



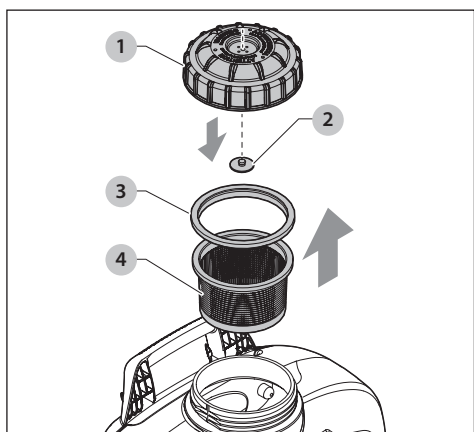
Mantenimiento de la boquilla

▲ **ADVERTENCIA:** Antes de realizar el mantenimiento, despresurice siempre el pulverizador asegurándose de que esté apagado y luego presione la palanca de cierre para pulverizar hasta que el flujo de líquido se detenga.

- Si una boquilla se obstruye, retire y desmonte el conjunto de la boquilla.
- Limpie las aberturas de cualquier obstrucción o residuo. No utilice herramientas afiladas que puedan rayar o dañar las boquillas, ya que el patrón de pulverización podría verse afectado.

Mantenimiento de la cesta del colador y de la tapa

- Revise la válvula antirretorno (2) en la tapa (1) y la junta de la cesta del colador (3) en la cesta del colador (4) para asegurarse de que no muestren signos de desgaste y funcionen correctamente.
- Reemplácelas según sea necesario.



Mantenimiento del filtro del tanque

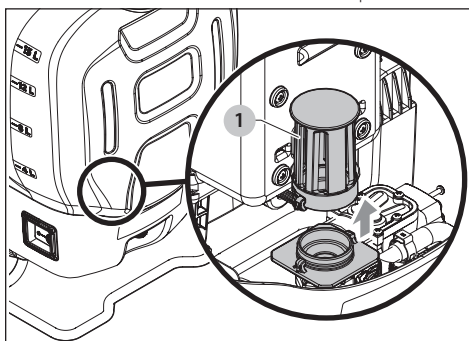
▲ PRECAUCIÓN: RIESGO DE DAÑO A LOS COMPONENTES INTERNOS. No opere el pulverizador sin el filtro del tanque instalado correctamente. Hacerlo podría permitir que entren residuos en la bomba y obstruir o dañar la bomba.

1. Asegúrese de que el pulverizador esté apagado y quite la batería según las instrucciones de la sección *Retirar la batería*.
2. Quite la tapa y la cesta del colador. Enjuague con agua limpia para eliminar cualquier residuo.
3. Coloque la cesta del colador y la tapa sobre una superficie limpia en la que no se acumule suciedad, polvo, grasa, recortes de hierba u otros desechos.
4. Vierta el líquido del tanque en un recipiente apropiado para su uso posterior o deséchelo apropiadamente de acuerdo con las instrucciones del fabricante del producto químico.
5. Enjuague y vacíe el tanque para eliminar cualquier rastro de suciedad, restos o residuos.
6. Introduzca la mano en el tanque y agarre con cuidado el filtro del tanque (1) ubicado en el fondo de este.
7. Gire el filtro del tanque aproximadamente 1/8 de vuelta en sentido antihorario hasta que no gire más y tire para sacarlo del tanque.
8. Limpie el filtro del tanque cuidadosamente enjuagándolo de dentro hacia fuera. Asegúrese de no rasgar ni dañar la malla. Cualquier daño a la malla podría permitir que entren residuos en la bomba y obstruir o dañar la bomba.

NOTA: Si el filtro del tanque está dañado o demasiado sucio para poder limpiarlo, reemplácelo por uno nuevo.

9. Para volver a instalar el filtro del tanque, colóquelo suavemente en el fondo del tanque y gírelo lentamente hasta que las pestañas de bloqueo en la base del filtro estén alineadas con las ranuras de este. El filtro del tanque caerá hacia abajo aproximadamente 1/8 de pulgada cuando esto suceda.

10. Empuje hacia abajo el filtro del tanque hasta el tope, aproximadamente otro 1/4 de pulgada; a continuación, gire el filtro del tanque 1/8 de vuelta en sentido horario hasta el tope.



GARANTÍA DE DOS AÑOS PARA CARGADOR Y BATERÍA

Black & Decker (U.S.) Inc. garantiza que la batería y el cargador están libres de defectos en materiales o fabricación por un período de dos (2) años a partir de la fecha de compra, siempre que se utilice en un entorno doméstico. Esta garantía limitada no cubre averías debido a abuso, daño accidental o cuando se haya reparado o intentado reparar por alguien que no sea BLACK+DECKER y sus centros de servicio autorizados. Las baterías y cargadores defectuosos que cumplan con las condiciones de la garantía aquí establecidas serán reemplazados o reparados sin cargo alguno de una de las dos formas siguientes:

La primera, que sólo dará lugar a intercambios, consiste en devolver la batería o el cargador al comercio minorista donde se adquirieron (siempre que la tienda sea un minorista participante). Las devoluciones deben hacerse dentro del período de la política de intercambio del minorista. Puede exigirse comprobante de compra. Consulte al minorista acerca de los plazos para devoluciones e intercambios conforme a su política de devolución específica.

La segunda opción es llevar o enviar la batería o el cargador (mediante envío prepago) a un centro de servicio autorizado o de propiedad de BLACK+DECKER para su reparación o reemplazo a opción de BLACK+DECKER. Puede exigirse comprobante de compra. La lista de los centros de servicio autorizados o de propiedad de BLACK+DECKER pueden consultarse en línea, en www.blackanddecker.com.

Esta garantía no se aplica al pulverizador o a sus accesorios. Esta garantía le proporciona derechos legales específicos que varían de estado a estado o de una provincia a otra. Si tiene alguna pregunta, contacte al gerente de su centro de servicio BLACK+DECKER más cercano. Este producto no está diseñado para uso comercial, por lo que el uso comercial de este producto anulará la garantía. Todas las otras garantías, expresas o implícitas, quedan excluidas.

GARANTÍA LIMITADA DE DOS AÑOS PARA EL PULVERIZADOR

The Fountainhead Group, Inc. garantiza que este pulverizador (sin incluir la batería y el cargador) estará libre de defectos tanto en materiales como en fabricación por un período de dos años desde el día en que lo enviemos.

No ofrecemos otras garantías expresas, y todas las garantías implícitas, incluidas las de idoneidad y comercialización, se limitan a dos años a partir de la fecha de envío por nosotros. Dentro del período de garantía, repararemos o reemplazaremos cualquier pieza que, tras examinarla, determinemos que está defectuosa, pero no pagaremos los costos de envío u otros gastos. Para obtener el servicio de garantía, contáctenos en: The Fountainhead Group, Inc., c/o Customer Service, 23 Garden Street, New York Mills, New York 13417, o llame al (800) 311-9903 o (315) 736-0037. La mercancía no se puede devolver sin permiso previo y la devolución debe hacerse de forma prepagada.

Este servicio de garantía es un remedio exclusivo y no somos responsables de ningún daño consecuente o incidente o lesiones a personas o propiedad.

Esta garantía no se aplica a ningún producto que haya estado sujeto a uso incorrecto, negligencia o accidente, que se haya dañado durante el envío, que se haya aplicado de forma incorrecta, o que haya sido modificado o reparado por personas no autorizadas. Esta garantía solo se aplica a productos propiedad de personas que compran directamente de nosotros o a nuestros distribuidores y comerciantes aprobados. Nos reservamos el derecho de incorporar cambios subsecuentes de diseño o de piezas después de la publicación y sin nueva emisión de los documentos o catálogos descriptivos.

NOTA: *Las limitaciones en la duración de la garantía implícita y/o los daños consecuentes podrían no aplicarse en su caso si su estado no lo permite. Esta garantía le brinda derechos legales específicos además de los derechos que pueda tener según la ley estatal.*

Fabricado bajo licencia por:

The Fountainhead Group, Inc.
23 Garden Street
New York Mills, NY 13417 U.S.A.

Fax: (315) 768-4220

Correo electrónico: Info@TheFGI.com

www.TheFountainheadGroup.com

GUÍA DE RESOLUCIÓN DE PROBLEMAS

ASEGÚRESE DE SEGUIR LAS INSTRUCCIONES Y LAS REGLAS DE SEGURIDAD

Para asistencia con su producto, visite nuestro sitio web en www.BlackandDecker.com para obtener una lista de centros de servicio, o llámenos a BLACK+DECKER al 1-800-544-6986.

PROBLEMA	CAUSA POSIBLE	SOLUCIÓN
El pulverizador no se enciende (no hay un zumbido audible de la bomba).	Asegúrese de que la batería esté instalada correctamente.	Instale la batería correctamente. Ver <i>Instalación de la batería</i> .
	Asegúrese de que la batería esté cargada.	Cargue la batería. Ver <i>Carga de la batería</i> .
	La batería puede estar dañada o puede haberse sobrecalentado. Inspeccione visualmente la batería en busca de daños.	Reemplace la batería si se encuentra dañada o no funciona. Si la batería se sobrecalienta, deje que se enfríe.
El pulverizador se enciende (la cabeza de la bomba emite un zumbido), pero no pulveriza.	La manguera está presurizada. La bomba se apagó automáticamente.	Apriete la palanca de cierre para ver si el pulverizador se inicia y la bomba se enciende.
	No hay líquido en el tanque.	Añada líquido al tanque. Ver <i>Llenado del pulverizador</i> .
	La palanca de cierre está obstruida.	Limpie la palanca de cierre. Ver <i>Mantenimiento del conjunto de cierre</i> .
	La boquilla está obstruida.	Limpie la boquilla. Ver <i>Mantenimiento de la boquilla</i> .
El pulverizador se enciende, pero sólo pulveriza a baja presión.	La bomba no está cebada.	Deje por lo menos 30 segundos para que la bomba se cebe.
	La palanca de cierre está obstruida.	Limpie la palanca de cierre. Ver <i>Mantenimiento del conjunto de cierre</i> .
	La boquilla está obstruida.	Limpie la boquilla. Ver <i>Mantenimiento de la boquilla</i> .
La bomba no se ceba completamente.	La bomba no está cebada.	Deje por lo menos 30 segundos para que la bomba se cebe.
	El nivel de líquido en el tanque es bajo.	Añada líquido al tanque. Ver <i>Llenado del pulverizador</i> .
	La bomba funcionó en seco (sin líquido) antes de que se rellenara el tanque.	Asegúrese de que el pulverizador esté apagado y apriete la palanca de cierre hasta que se libere toda la presión.
Hay residuo químico o acumulación en el tanque y/o la bomba debido a una limpieza insuficiente o inadecuada.		Limpie el pulverizador. Ver <i>Limpieza</i> . Si es necesario, repita con agua caliente y una mezcla de detergente suave. Permita que la mezcla permanezca en la bomba por hasta 1 hora antes de enjuagar. Reemplace la bomba si es necesario.
	El filtro del tanque está instalado incorrectamente, no está instalado o está dañado, lo que permite que entre suciedad en la bomba.	Limpie el pulverizador. Ver <i>Limpieza</i> . Si es necesario, repita con agua caliente y una mezcla de detergente suave. Permita que la mezcla permanezca en la bomba por hasta 1 hora antes de enjuagar. Reemplace la bomba si es necesario.

PROBLEMA	CAUSA POSIBLE	SOLUCIÓN
La manguera tiene una fuga en la conexión al tanque.	La manguera está agrietada, hinchada o es defectuosa.	Reemplace el conjunto de cierre.
	La conexión está dañada.	
La manguera tiene fuga en el conjunto de cierre.	La manguera está agrietada, hinchada o es defectuosa.	Reemplace el conjunto de cierre.
	La conexión está dañada.	
La boquilla gotea cuando se suelta la palanca de cierre.	Hay suciedad o desechos en la palanca de cierre.	Limpie el conjunto de cierre.
	Hay una junta tórica o sello dañados en el conjunto de cierre.	Reemplace el conjunto de cierre.
La punta de la boquilla gotea.	La junta plana no está instalada.	Instale la junta plana detrás de la punta de la boquilla. Ver <i>Ensamblaje</i> .
	La junta plana está dañada.	Reemplace la junta plana.
El patrón de pulverización es deficiente.	La boquilla está parcialmente obstruida.	Limpie la boquilla. Ver <i>Limpieza</i> .
	La boquilla está dañada.	Reemplace la boquilla.
La unidad se apaga abruptamente.	La batería ha alcanzado su límite térmico máximo.	Deje que la batería se enfríe.
	La batería está descargada. Para maximizar la vida de la batería, está diseñada para apagarse abruptamente cuando se agota la carga.	Ponga la batería en el cargador y deje que se cargue.
La batería no se carga.	La batería no está insertada en el cargador.	Inserte la batería en el cargador hasta que el LED se ilumine.
	El cargador no está enchufado.	Enchufe el cargador en una toma de corriente que funcione.
	La temperatura ambiente es muy alta o muy baja.	Mueva la batería a un lugar con una temperatura ambiente superior a 40 °F (4.5 °C) o inferior a 104 °F (40 °C).