

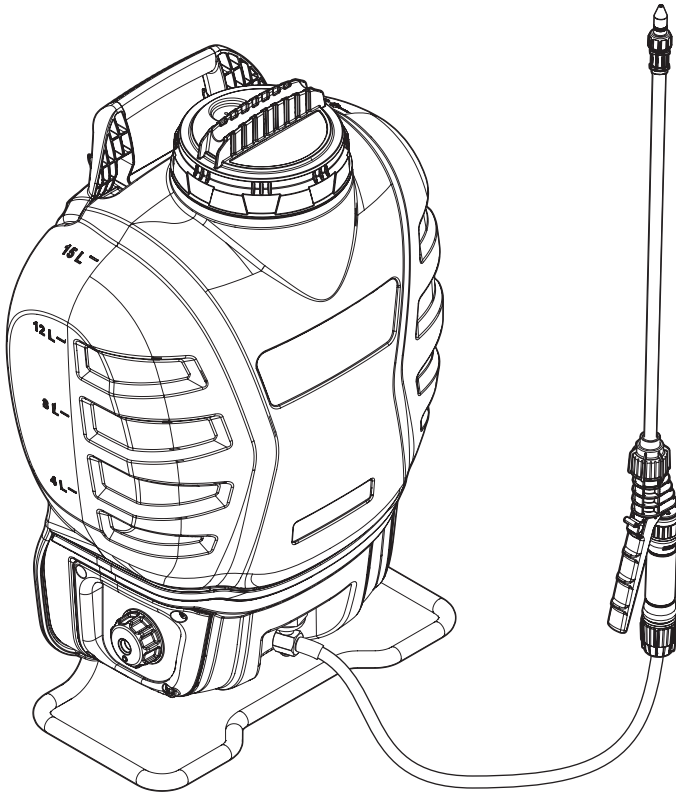
MODEL #: 190723W

MANUAL #: 185777-A



INSTRUCTION MANUAL

Variable Flow Backpack Sprayer



Do **not** return this product to the store.
For help, information, or parts contact:



**THE
FOUNTAINHEAD
GROUP**

Craftsmanship. Innovation. Commitment

www.thefountainheadgroup.com

(800) 311-9903 | info@thefgi.com

23 Garden St. New York Mills, NY, 13417



WARNING

Read and fully understand manual
before using this product.

Failure to follow instructions could
result in death or serious injury.

CONTENTS

IMPORTANT SAFETY INSTRUCTIONS	3
<i>Definitions</i>	3
CHEMICAL USE SAFETY	3
SPRAYER SAFETY	3
<i>Additional Safety Information</i>	4
ASSEMBLY	4
<i>Package Contents</i>	4
<i>Nozzle Functionality and Uses</i>	5
<i>Flow Control</i>	5
<i>Nozzle Flow Chart</i>	5
<i>Assembling the Sprayer</i>	6
<i>Attaching a Nozzle</i>	6
OPERATION	6
<i>Important Safety Instructions for All Battery Chargers</i>	6
<i>Important Safety Instructions for All Battery Packs</i>	7
<i>Battery Tool Use and Care</i>	8
<i>Service</i>	8
<i>Battery Indicators</i>	8
<i>Charging the Battery</i>	8
<i>Filling the Sprayer</i>	9
<i>Installing the Battery</i>	9
<i>Removing the Battery</i>	10
<i>Battery Life Indicator</i>	10
<i>Spraying</i>	10
CLEANING	11
<i>Battery Pack Cleaning</i>	11
<i>Charger Cleaning Instructions</i>	12
VERTICAL WAND STORAGE CLIP	12
NOZZLE STORAGE CLIP	12
STORAGE	12
TRANSPORTATION	12
MAINTENANCE	12
<i>Repairs</i>	12
<i>Replacing the Harness</i>	13
<i>Shut-Off Assembly Maintenance</i>	13
<i>Nozzle Maintenance</i>	13
<i>Cap and Strainer Basket Maintenance</i>	14
<i>In-Tank Filter Maintenance</i>	14
<i>Hose Attachment Maintenance</i>	14
QR CODE	15
FREQUENTLY ASKED QUESTIONS	15
PATENT NUMBERS	15
REPLACEMENT PARTS	15
WARRANTY	15
TROUBLESHOOTING GUIDE	16
NOZZLE FLOW CHARTS	18
<i>Nozzles Included with Product</i>	18
<i>TEEJET/UNIJET Fan Nozzles (Not Included)</i>	18
<i>Misting Nozzles (Not Included)</i>	18

IMPORTANT SAFETY INSTRUCTIONS

Definitions

▲ DANGER: Indicates a hazardous situation that, if not avoided, will result in death or serious injury.

▲ WARNING: Indicates a hazardous situation that, if not avoided, could result in death or serious injury.

▲ CAUTION: Indicates a hazardous situation that, if not avoided, could result in minor or moderate injury.

NOTICE: Indicates information considered important, but not hazard-related (e.g. messages relating to property damage).

▲ WARNING: WHEN USING ELECTRICAL SPRAYERS, BASIC PRECAUTIONS SHOULD BE FOLLOWED, INCLUDING THE FOLLOWING:

- Read all the instructions before using the sprayer.
- To reduce the risk of injury, close supervision is necessary when an appliance is used near children.
- Only use attachments recommended or sold by the manufacturer.
- For reachable sprayers, Use only the charger supplied by the manufacturer to recharge.

CHEMICAL USE SAFETY

▲ DANGER: RISK OF DEATH, SEVERE PERSONAL INJURY, AND/OR PROPERTY DAMAGE FROM IMPROPER CHEMICAL USE OR MIXTURE.

- Never use flammable or combustible chemicals in this sprayer. Spraying flammable or combustible chemicals can create combustible fumes that could be ignited, causing an explosion.
- Use only chemicals indicated for spraying applications. Some chemicals may create a toxic or other hazardous atmosphere when sprayed.
- Always refer to chemical manufacturer's instructions and/or the chemical Safety Data Sheet (SDS) for proper mixture and safe application.

SPRAYER SAFETY

▲ WARNING: RISK OF PERSONAL INJURY AND/OR PROPERTY DAMAGE DUE TO CHEMICAL EXPOSURE.

▲ WARNING: DO NOT EXPOSE TO RAIN, STORE INDOORS.

- Read and understand the entire instruction manual before using this sprayer.
- Follow all instructions and precautions in the instruction manual when using this sprayer.
- Read and follow all instructions and precautions on chemical manufacturer's label of chemicals used in this sprayer.

• Use the appropriate Personal Protective Equipment (PPE) as recommended by the chemical manufacturer and/or refer to the chemical Safety Data Sheet (SDS) of the chemical being used. This includes at least goggles, gloves, and protective clothing. Failure to use appropriate PPE could result in chemical exposure through skin contact, eye contact, inhalation, or other means.

• After initial assembly, extended storage, or any possibly damaging event, such as a fall, always inspect the sprayer for damage, and test it with plain water to check for proper function. Ensure all connections are secure and leak free, and the hose is free from damage, prior to using the sprayer with chemical.

▲ WARNING: Always inspect the hose and all connections before each use. A damaged hose or loose connections could result in an uncontrolled high-pressure discharge of chemical.

- Do not spray near open flame, hot surfaces, or anything that could vaporize the spray. Doing so could create a dangerous chemical atmosphere.
- Never use caustics, bleach, acids, hot water, or pressure-producing chemicals in this sprayer.
- Keep the sprayer and all chemicals out of the reach of children and pets.
- Only spray when the air is calm (no wind or air movement) to prevent chemical spray from drifting onto non-targeted surfaces.
- Always release pressure when the sprayer is not in use and before performing any maintenance or cleaning.
- Never store chemicals in the sprayer.
- Store or dispose of any unused chemicals as instructed by the chemical manufacturer due to the potential for environmental damage from a spill or leak, and/or refer to the disposal criteria referenced in the SDS.
- Clean and rinse the sprayer after each use to avoid unintended chemical exposure and prevent contamination of subsequent applications.
- Store the sprayer in a warm, dry, dust-free location out of direct sunlight.

▲ WARNING: RISK OF PERSONAL INJURY AND/OR PROPERTY DAMAGE DUE TO RUPTURE AND/OR UNCONTROLLED HIGH PRESSURE DISCHARGE OF LIQUID CHEMICAL.

- Never modify or alter the sprayer from original condition. Never heat or alter the hose, hose nut, or barb. Doing so could weaken the components and/or connections.
- Use only replacement parts from original manufacturer. Other replacement parts are not compatible with this sprayer.

- Never pressurize the sprayer with any device other than the pump supplied by the original manufacturer. Use of an air compressor or other non-standard device to pressurize the system could exceed the safe working pressure of the sprayer.
- Do not lift, carry, or pull the sprayer by the hose, shut-off, or wand extension. Doing so could weaken the components and/or connections. Carry by the handle or harness only, making sure the connections are properly secured before lifting.
- To reduce the risk of electrical shock, do not put the sprayer in water or other liquid. Do not place or store the sprayer where it can fall or be pulled into a tub or sink.

Additional Safety Information

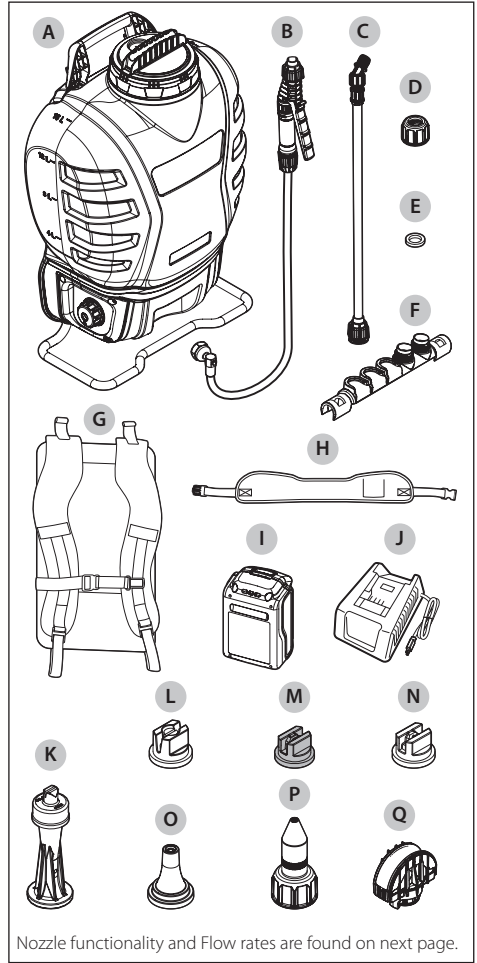
- ▲ **WARNING:** Never modify the sprayer or any part of it. Damage or personal injury could occur.

SAVE THESE INSTRUCTIONS FOR FUTURE USE

ASSEMBLY

- ▲ **WARNING: RISK OF PERSONAL INJURY AND/OR PROPERTY DAMAGE DUE TO CHEMICAL EXPOSURE.** After initial assembly, always inspect the sprayer for damage, and test it with plain water to check for proper function. Ensure all connections are secure and leak free, and the hose is free from damage, prior to using the sprayer with chemicals.
- ▲ **WARNING:** Only use attachments recommended or sold by the manufacturer.
- ▲ **WARNING:** For Household Use Only.

Package Contents



Nozzle functionality and Flow rates are found on next page.

- | | | |
|------------------------------------|---|---------------------------------------|
| A Sprayer | B Shut-off Assembly | C Wand |
| D Cap Nut | E Flat Seal | F Nozzle Storage Clip |
| G Harness | H Harness Waist Belt | I Battery |
| J Battery Charger | K Foaming Weed Nozzle (Black) | L High-Volume Wide Fan Nozzle (Brown) |
| M Low-Volume Wide Fan Nozzle (Red) | N Low-Volume Narrow Fan Nozzle (Yellow) | O Jet Stream Nozzle (Orange) |
| P Adjustable Cone Nozzle | Q High-Volume Foam Nozzle (White) | |

Nozzle Functionality and Uses

Foaming Weed Nozzle (Black)



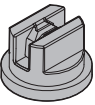
- Visibly marks treated weeds when used with weed killer or added surfactant.
- Spot spraying weeds in lawn, or around flower beds, trees, and shrubs.
- Edging along fences, driveways, and walkways.

High-Volume Wide Fan Nozzle (Brown)



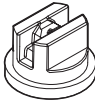
- Flat spray for very broad coverage and higher viscosity liquids.

Low-Volume Wide Fan Nozzle (Red)



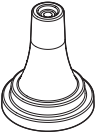
- Replacing lawns. Kills lawn and weeds before planting a new lawn.
- Preparing large areas for planting of ornamental and vegetable gardens.

Low-Volume Narrow Fan Nozzle (Yellow)



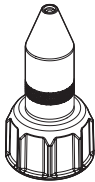
- Precision spraying in confined areas such as gardens and flower beds.

Jet Stream Nozzle (Orange)



- Pinpoint stream for targeted applications from a distance.
- Ideal for spraying hornet nests, cracks, crevices, and other hard to reach targets.

Adjustable Cone Nozzle



- Spot spraying in flower beds, walkways, driveways, and patios, around trees and shrubs.
- Edging along fences, driveways, and walkways.
- Killing brush such as poison ivy, poison oak, kudzu, and wild blackberry.

High-Volume Foam Nozzle (White)



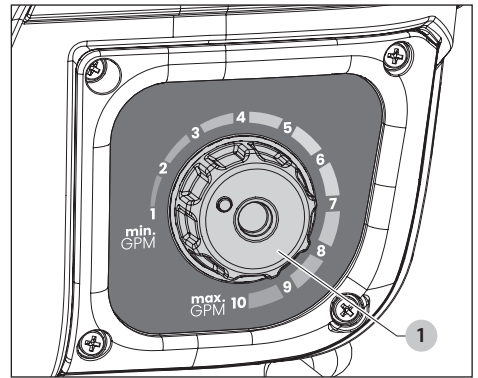
- Sprays a thick foam that adheres to vertical surfaces for optimal cleaning action.
- Spray on walls, walkways, patios/decks, power equipment, vehicles, and more.

Flow Control

Flow can be controlled by turning the control knob (1). Each position (1 through 10) has a discrete detent; each detent position has tangible feedback.

The backpack functions to keep flow rate constant regardless of battery depletion state; when a preferred knob setting is chosen for a given nozzle, the spray pattern and flow rate will remain the same through the entire application.

Maximum Working Pressure	
Position	Flow
1-3	1-3 work off a low-pressure cutoff
4-10	4-10 work off a high-pressure cutoff



Nozzle Flow Chart

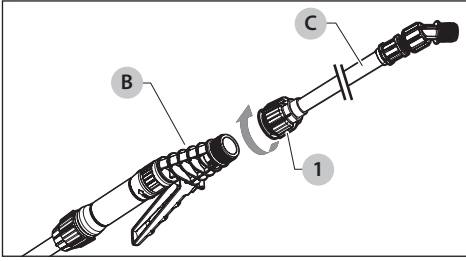
NOTICE: RISK OF PROPERTY DAMAGE. Always turn flow control knob to low GPM setting (1-3) when switching to a low flow nozzle.

NOTICE: RISK OF PROPERTY DAMAGE. Failure to abide by Nozzle Flow Chart recommendations may result in a damaged pump and void warranty.

See Nozzle Flow Charts on page 18 and 19.

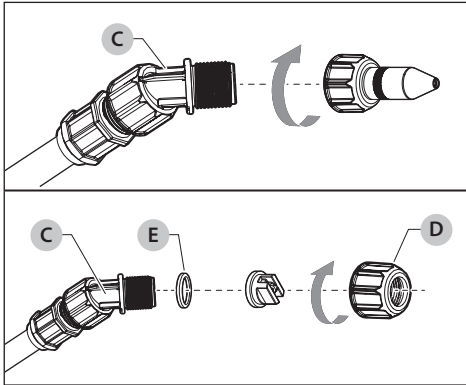
Assembling the Sprayer

1. Install the wand (C) onto the shut-off assembly (B) and tighten the nut (1) on the wand (C) to secure together.



Attaching a Nozzle

Attach your selected nozzle (L – Q) onto the end of the wand (C) using a flat seal (E) if required, and tighten securely using the cap nut (D).



OPERATION

▲ WARNING: RISK OF PERSONAL INJURY DUE TO CHEMICAL EXPOSURE. Use the appropriate Personal Protective Equipment (PPE) as recommended by the chemical manufacturer and/or refer to the chemical Safety Data Sheet (SDS) of the chemical being used. This includes at least goggles, gloves, and protective clothing.

▲ WARNING: To reduce the risk of serious personal injury, turn unit OFF and remove the battery pack before making any adjustments or removing/installing attachments or accessories. An accidental start-up can cause injury.

NOTICE: The battery pack is not fully charged out of the carton. Before using the battery pack and charger, read the safety instructions below and then follow the charging procedures outlined.

Important Safety Instructions for All Battery Chargers

▲ WARNING: Read all safety warnings, instructions, and cautionary markings for the battery pack, charger, and product. Failure to follow the warnings and instructions may result in electrical shock, fire, and/or serious injury.

- **DO NOT attempt to charge the battery pack with any charger other than a charger with Part Number 183416 or 183417.** These two chargers (a slow charger and a fast charger) and battery packs are specifically designed to work together.
- **These chargers are not intended for any uses other than charging 183411 or 183412 rechargeable battery packs.** Charging other types of battery packs may cause them to overheat and burst, resulting in personal injury, property damage, fire, electrical shock, or electrocution.
- **Do not expose the charger to rain or snow.**
- **Do not allow water or any liquid to enter the charger.**
- **Pull by the plug rather than the cord when disconnecting the charger.** This will reduce the risk of damage to the electric plug and cord.
- **Make sure that the cord is located so that it will not be stepped on, tripped over, or otherwise subjected to damage or stress.**
- **Do not use an extension cord unless it is absolutely necessary.** Use of improper extension cord could result in risk of fire, electrical shock, or electrocution.

- **When operating a charger outdoors, always provide a dry location and use an extension cord suitable for outdoor use.** Use of a cord suitable for outdoor use reduces the risk of electrical shock.
- **An extension cord must have adequate wire size (AWG or American Wire Gauge) for safety.** The smaller the gauge number of the wire, the heavier the cord and thus the greater its capacity. An undersized cord will cause a drop-in line voltage resulting in loss of power and overheating. The following table shows the correct size to use depending on total length of all extension cords plugged together, and nameplate ampere rating. When in doubt, use the next heavier gauge.

Minimum Gauge for Cord Sets

Volts		Total Length of Cord in Feet (meters)			
120V		25 (7.6)	50 (15.2)	100 (30.5)	150 (45.7)
Ampere Rating		American Wire Gauge			
More Than	Not More Than				
0	6	18	16	16	14
6	10	18	16	14	12
10	12	16	16	14	12
12	16	14	12	Not Recommended	

- **Do not place any object on top of the charger.** Place the charger in a position away from any heat source.
- **Do not operate the charger with a damaged cord or plug.** Have them replaced immediately.
- **Do not operate the charger if it has received a sharp blow, been dropped, or otherwise damaged in any way.**
- **Do not disassemble the charger.**
- **The charger is designed to operate on standard 120V household electrical power.** Do not attempt to use it on any other voltage.
- **Foreign materials of a conductive nature, such as, but not limited to, grinding dust, metal chips, steel wool, aluminum foil, or any buildup of metallic particles should be kept away from the charger cavities.**
- **Always unplug the charger from the power supply when there is no battery pack in the cavity.**

- **Do not charge or use the battery pack in explosive atmospheres, such as in the presence of flammable liquids, gases, or dust.** Inserting or removing the battery pack from the charger may ignite the dust or fumes.
- **NEVER force the battery pack into the charger. DO NOT modify the battery pack in any way to fit into a non-compatible charger, as battery pack may rupture causing serious personal injury.**
- **Charge the battery packs only in 183416 or 183417 chargers.**
- **DO NOT splash or immerse the battery pack in water or other liquids.**
- **DO NOT allow water or any liquid to enter battery pack.**
- **Do not store or use the tool and battery pack in locations where the temperature may reach or exceed 104° F (40° C) (such as outside sheds or metal buildings in summer).** For best battery life store battery packs in a cool, dry location. **NOTE: Do not store the battery packs in a tool with the trigger switch locked on. Never tape the trigger switch in the ON position.**

- **Do not incinerate the battery pack even if it is severely damaged or is completely worn out.** The battery pack can explode in a fire. Toxic fumes and materials are created when lithium-ion battery packs are burned.
- **If battery contents come into contact with the skin, immediately wash area with mild soap and water.** If battery liquid gets into the eye, rinse water over the open eye for 15 minutes or until irritation ceases. If medical attention is needed, the battery electrolyte is composed of a mixture of liquid organic carbonates and lithium salts.
- **Contents of opened battery cells may cause respiratory irritation.** Provide fresh air. If symptoms persist, seek medical attention.
- **Battery liquid may be flammable if exposed to a spark or flame.**
- **Never attempt to open the battery pack for any reason. If the battery pack case is cracked or damaged, do not insert into the charger.** Do not crush, drop, or damage the battery pack. Do not use a battery pack or charger that has received a sharp blow, been dropped, run over, or damaged in any way (e.g., pierced with a nail, hit with a hammer, stepped on).
- **Damaged battery packs should be properly recycled.**

Important Safety Instructions for All Battery Packs

- ▲ **WARNING:** Read all safety warnings, instructions, and cautionary markings for the battery pack, charger, and product. Failure to follow the warnings and instructions may result in electrical shock, fire, and/or serious injury.

Battery Tool Use and Care

- **Recharge only with the charger specified by the manufacturer.** A charger that is suitable for one type of battery pack may create a risk of fire when used with another battery pack.
- **Use power tools only with specifically designated battery packs.** Use of any other battery packs may create a risk of injury and fire.
- This sprayer is provided with battery pack 183411 and charger 183416.

Compatible battery packs and chargers

18V Li-ion	Battery Packs	183411,183412
	Chargers	183416,183417

- ▲ **WARNING:** Use of any other battery packs may create a risk of injury and fire.
- **When battery pack is not in use, keep it away from other metal objects, like paper clips, coins, keys, nails, screws, or other small metal objects, that can make a connection from one terminal to another.** Shorting the battery terminals together may cause burns or a fire.
- **Under abusive conditions, liquid may be ejected from the battery; avoid contact. If contact accidentally occurs, flush with water. If liquid contacts eyes, additionally seek medical help. Liquid ejected from the battery may cause irritation or burns.**
- **Do not use a battery pack or tool that is damaged or modified.** Damaged or modified batteries may exhibit unpredictable behavior resulting in fire, explosion, or risk of injury.
- **Do not expose a battery pack or tool to fire or excessive temperature.** Exposure to fire or temperature above 265° F (130° C) may cause explosion.
- **Follow all charging instructions, and do not charge the battery pack or tool outside the temperature range specified in the instructions.** Charging improperly or at temperatures outside the specified range may damage the battery and increase the risk of fire.

Service

- **Only use identical replacement parts provided by the manufacturer.** This will ensure that the safety of the power tool is maintained.
- **Never service damaged battery packs.** Service of battery packs should only be performed by the manufacturer or authorized service providers.

Battery Indicators



Charging – green
LED flashing



Fully Charged –
green LED solid



Hot/Cold Pack Delay
– red flashing



Bad/Damaged
Battery – red, green
alternate blinking or
solid red



Charging the Battery

- ▲ **WARNING:** Do not charge the battery pack in extreme temperatures. It is recommended to charge the battery pack in ambient temperatures between 32–104° F (0–40° C).

To charge the battery:

1. Plug the charger into an appropriate outlet.
2. Insert and fully seat the battery pack. The green charging light will continuously blink while charging.
3. Charging is complete when the green light remains continuously ON. Batteries should not be stored on the charger. To ensure optimal battery life, the battery should be charged at least once every 3 months when not in use.

NOTE: The charger will not charge a faulty battery pack, which may be indicated by the light staying OFF, or the red and green light alternately blinking, or a solid red-light blinking.

Hot/Cold Pack Delay

If the light on the charger body continues to blink only red, the battery is too hot or too cold to be safely charged. If this occurs because the battery is too hot, the battery must be allowed to cool before it can be charged; if this occurs because the battery is too cold, the battery must be allowed to warm before it can be charged.

Electronic Protection System

Li-ion tools are designed with an Electronic Protection System that protects the battery pack against overloading, overheating, or deep discharge.

Important Charging Notes

The charger and battery pack may become warm to the touch while charging. This is normal and does not indicate a problem. To facilitate the cooling of the battery pack after use, avoid placing the charger or battery pack in a warm environment such as in a metal shed or an uninsulated trailer.

If the battery pack does not charge properly:

- Check operation of the receptacle by plugging in a lamp or other appliance.
- Check to see if the receptacle is connected to a light switch which turns power OFF when you turn off the lights.
- If charging problems persist, replace battery or charger. See *Troubleshooting Guide, Battery will not charge.*

You may charge a partially depleted pack at any time with no adverse effect on the battery pack.

Chargers/Charge Time** (Hours) (0% to 100% Charge)			
Batteries	Watt Hours	Chargers	
		183416 Fast	183417 Slow
183411	36	1.25	3.5
183412	72	2	7

**All charge times are approximate. Actual charge time may vary.

Filling the Sprayer

▲ DANGER: RISK OF DEATH, SEVERE PERSONAL INJURY, AND/OR PROPERTY DAMAGE FROM IMPROPER CHEMICAL USE OR MIXTURE.

- Never use flammable or combustible chemicals in this sprayer. Spraying flammable or combustible chemicals can create combustible fumes that could be ignited, causing an explosion.
- Use only chemicals indicated for spraying applications. Some chemicals may create a toxic or other hazardous atmosphere when sprayed.
- Always refer to chemical manufacturer's instructions and/or the chemical Safety Data Sheet (SDS) for proper mixture and safe application.

▲ WARNING: Inspect the sprayer, hose, shut-off, wand, and all connections for damage before each use. A damaged or loose hose connection can result in unintended exposure to the pressurized chemicals, resulting in serious injury or property damage.

Before you Begin

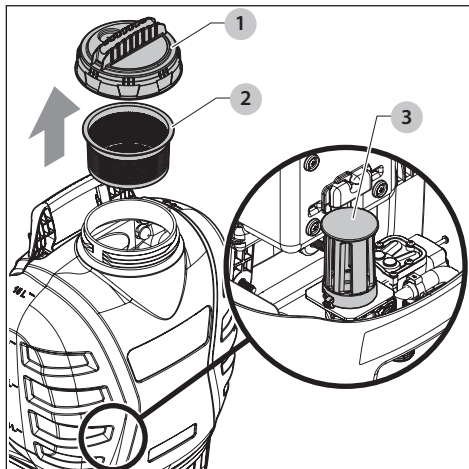
Test the sprayer with plain water before use with chemicals, prior to initial use, and after prolonged storage.

Place the sprayer on a stable surface and ensure it is OFF.

Remove the battery from the battery compartment. See *Removing the Battery.*

Filling Procedure

1. Unscrew the cap (1) and place it on a clean surface where it will not collect dirt, dust, grass clippings, or other debris.
2. Remove the strainer basket (2) and remove any debris. Place the strainer basket (2) on a clean surface where it will not collect dirt, dust, grass clippings, or other debris.
3. Inspect the tank interior for debris, and clean as needed.
4. Check to make sure the in-tank filter (3) is in place, the mesh is intact, and it is not clogged with debris. See *In-Tank Filter Maintenance.*
5. Ensure the shut-off assembly (B) is connected to the tank. Otherwise, liquid will pour out of the open connection.
6. Follow the chemical manufacturer's instructions for preparing the chemical. Fill the sprayer by pouring liquid into the top opening and through the strainer basket, to the desired volume, according to the volume gradation markings on the side of the tank.
7. Clean up any spilled, splashed, or overflowed liquid on the sprayer.
8. Insert the battery according to the instructions in *Installing the Battery.*



Installing the Battery

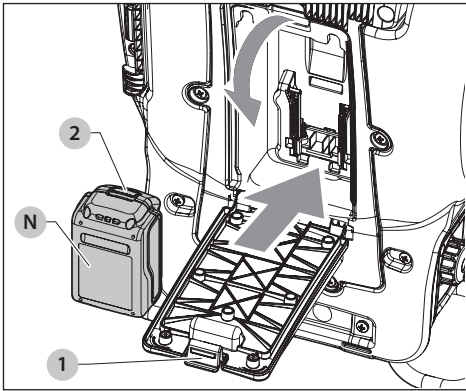
▲ WARNING: RISK OF FIRE, BURNS, OR ELECTRICAL SHOCK. To reduce risk of battery fire or bursts, use only 183411 or 183412 batteries that are in good condition. Do not use batteries that are wet or have been damaged.

ENGLISH

▲ WARNING: Prevent unintentional starting. Ensure the switch is in the OFF position before connecting the battery pack, picking up, or carrying the sprayer. Carrying the sprayer with your finger on the switch or energizing the sprayer which has the switch on invites accidents.

▲ CAUTION: RISK OF UNINTENDED SPRAYING. Ensure the sprayer is OFF and that the shut-off lever is released before inserting the battery. The sprayer will spray when the battery is inserted if the sprayer is ON and the shut-off lever depressed.

1. Ensure the sprayer is on a stable surface and turned OFF.
2. Open the battery compartment by pushing down on the door latch (1) located at the top of the door, and swing the door open and downward.
3. Align the battery (N) with the rails inside the battery compartment and slide it into the compartment until the battery (N) is firmly seated. Ensure it does not disengage.
4. Close the door and ensure that the door latch (1) is engaged.

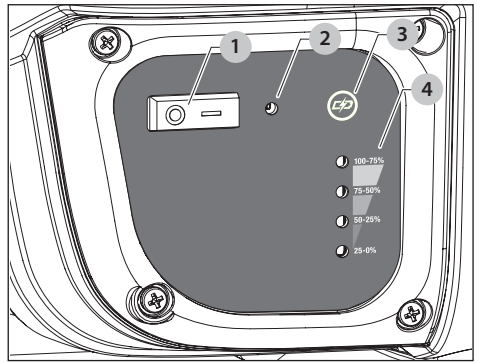


Removing the Battery

1. Ensure the sprayer is on a stable surface and turned OFF.
2. Open the battery compartment by pushing down on the door latch (1) located at the top of the door, and swing the door open and downward.
3. Press the battery button (2) and lift the battery (N) until it releases.
4. Remove the battery (N) from the compartment.
5. Close the door and ensure that the door latch (1) is engaged.

Battery Life Indicator

1. When the battery is installed, you can check the battery life. This feature is active whether the device is turned ON or OFF.
2. The power interface has a rocker-style switch (1), a blue LED (2) which shines when power is ON, a battery indicator push button (3), and indicator lights (4).
3. Press and hold the battery indicator button (3) to illuminate indicator lights (4).
4. Battery indicator lights (4):
 - a. Four green lights indicate: 100%–75%.
 - b. Three green lights indicate: 75%–50%.
 - c. Two green lights indicate: 50%–25%.
 - d. One green light indicates: <25%.
 - e. Red light indicates: Need to charge.



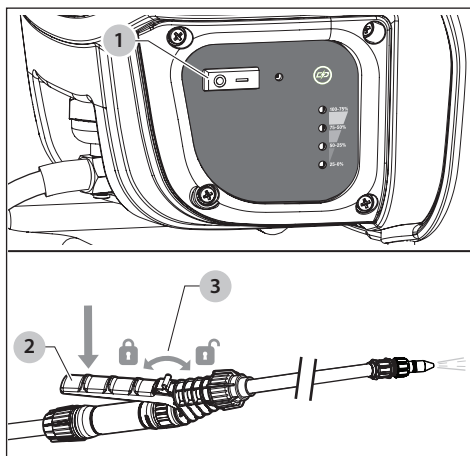
Spraying

▲ WARNING: RISK OF PERSONAL INJURY AND/OR PROPERTY DAMAGE DUE TO UNINTENDED SPRAYING OF CHEMICALS. Ensure the shut-off lever is released before powering ON the sprayer. Once powered ON, the pump will pressurize the system and spray if shut-off lever is depressed.

NOTICE: RISK OF PROPERTY DAMAGE. Only spray when the air is calm (no wind or air movement) to prevent chemical spray from drifting onto non-targeted surfaces.

1. Press the Power Switch (1) to turn the sprayer ON. If the sprayer has not been used recently, you may hear a low, audible hum. This indicates the pump has turned on and is building pressure in the system.

NOTE: If the sprayer was used recently, and still has pressure in the system, the pump may not turn on until the shut-off lever (2) is squeezed.



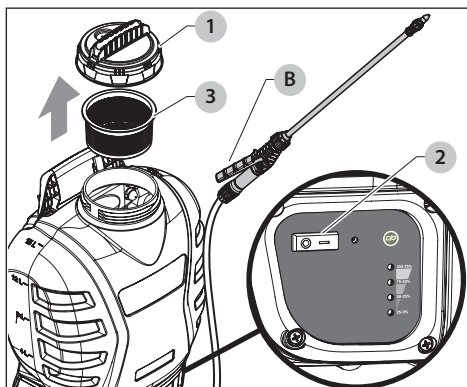
2. Aim the wand in the desired direction of spraying and squeeze the shut-off lever (2).
3. For continuous spraying, squeeze the shut-off lever (2) and rotate the lock (3) toward the trigger or towards the wand clockwise to hold the shut-off lever (2) in the depressed position.
4. Unlock by rotating counterclockwise, if needed, and release the shut-off lever (2) to stop spraying.
5. To turn off the sprayer, press the Power button (1).
6. Always remove any chemicals, and clean the sprayer when finished. See the *Cleaning and Storage* sections of this manual.

CLEANING

- ▲ **WARNING:** Always release pressure from the sprayer prior to cleaning. Disassembly of a sprayer that is still pressurized may result in the high-speed ejection of components.
- ▲ **WARNING: RISK OF PERSONAL INJURY DUE TO CHEMICAL EXPOSURE.** Use the appropriate Personal Protective Equipment (PPE) as recommended by the chemical manufacturer and/or refer to the chemical Safety Data Sheet (SDS) of the chemical being used. This includes at least goggles, gloves, and protective clothing.
- ▲ **WARNING: RISK OF DAMAGE TO INTERNAL COMPONENTS.** Failure to properly rinse out the sprayer may allow chemical residue build-up that can clog or damage the filters, pump, shut-off, wand, and nozzle. Chemical residue build-up can also contaminate subsequent applications. Leaving chemical liquids in the sprayer when not in use can lead to premature sprayer wear. Never store the sprayer with chemicals in any part of the sprayer.

1. Ensure the sprayer is OFF and remove the battery according to the *Removing the Battery* section.

2. Remove the cap (1) and empty any extra chemical from the tank into a suitable container for later use or dispose according to the chemical manufacturer's instructions.
3. Use clean water to thoroughly rinse and empty the tank until all chemicals and residues are removed.
4. Add approximately 1 quart (1 liter) of clean water to the tank.
5. Insert the battery according to the *Installing the Battery* instructions and press the Power button (2) to turn the sprayer ON.
6. Flush water through the pump, hose, shut-off, wand, and nozzle for at least 30 seconds to rinse them out. Failure to rinse out these components may allow chemical residue build-up that can clog or damage the components. After heavy use, rinsing the nozzles may not be enough to remove residue. The nozzles may need to be soaked or cleaned with a small brush.
7. Empty out any remaining water from the tank then continue to spray until water no longer comes out of the nozzle. This indicates that most of the water in the system has been removed.
8. Press the Power button (2) to turn the sprayer OFF and then remove the battery.
9. Squeeze the shut-off lever (B) to release any remaining pressure in the hose.
10. Allow the sprayer to dry. This is best done by removing the cap (1) and strainer basket (3) and hanging the sprayer upside down to let it drain.
11. Once the sprayer is dried, turn the sprayer upright and reinstall the strainer basket (3) and cap (1) to prevent debris from entering the tank.



Battery Pack Cleaning

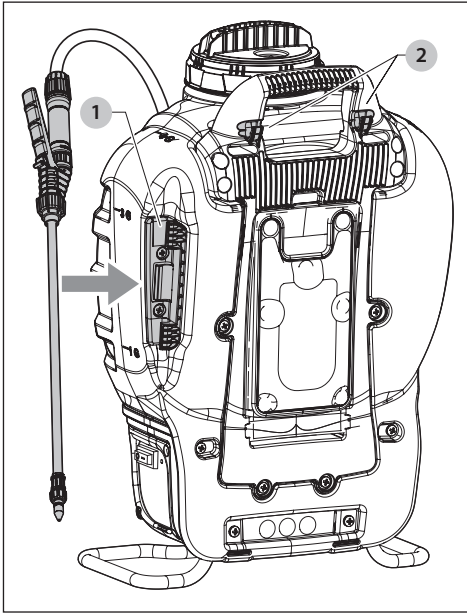
Remove dirt and grease from the exterior of the battery using a cloth or soft non-metallic brush. Do not use water or any cleaning solutions.

Charger Cleaning Instructions

- ▲ **WARNING:** Shock hazard. Disconnect the charger from the AC outlet before cleaning. Dirt and grease may be removed from the exterior of the charger using a cloth or soft non-metallic brush. Do not use water or any cleaning solutions.

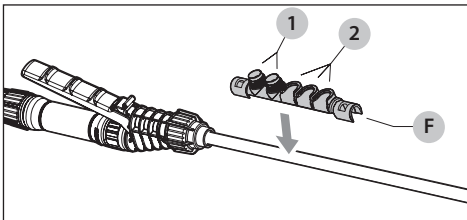
VERTICAL WAND STORAGE CLIP

There is a vertical wand storage clip (1) attached to the side of the tank which the wand can be secured with. The vertical wand clip helps with storage as it reduces the space needed around the sprayer. The horizontal storage wand clip (2) located below the backpack handle is still available for use.



NOZZLE STORAGE CLIP

Nozzles can be slid into or screwed on the nozzle storage clip (F) which clips to the wand. Adjustable or Nozzle Caps fit onto the threaded portions labeled 1 in the drawing. Fan or straight nozzles fit into the slots labeled 2.



STORAGE

Store the sprayer and battery indoors in a warm, dry location out of direct sunlight and away from any sources of moisture or intense heat. Do not store the sprayer where freezing temperatures (below 32° F / 0° C) will occur. Allowing water to freeze inside the sprayer may cause damage to the pump, seals, shut-off, or other components, and void the sprayer warranty.

TRANSPORTATION

- ▲ **WARNING:** FIRE HAZARD. Do not store, carry, or transport the battery pack so that metal objects can contact exposed battery terminals. For example, do not place the battery pack in aprons, pockets, tool boxes, product kit boxes, drawers, etc., with loose nails, screws, keys, coins, hand tools, etc. When transporting individual battery packs, make sure that the battery terminals are protected and well insulated from materials that could contact them and cause a short circuit.

NOTE: Li-ion battery packs should not be put in checked baggage on airplanes and must be properly protected from short circuits if they are in carry-on baggage.

MAINTENANCE

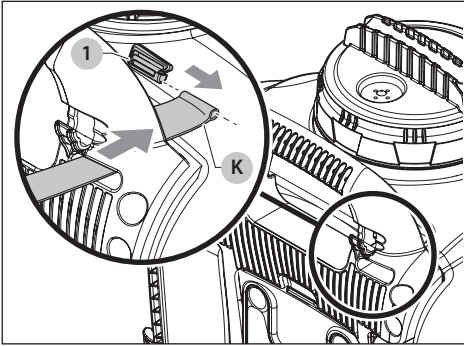
- ▲ **WARNING:** To reduce the risk of serious personal injury, turn unit OFF and remove the battery pack before making any adjustments or removing/installing attachments or accessories. An accidental start-up can cause injury.
- ▲ **WARNING:** RISK OF PERSONAL INJURY AND/OR PROPERTY DAMAGE DUE TO CHEMICAL EXPOSURE. Always ensure that all chemicals have been removed from the sprayer and the sprayer has been cleaned prior to performing any maintenance.
- ▲ **WARNING:** RISK OF PERSONAL INJURY. Always release pressure from the sprayer prior to performing any maintenance. Disassembly of a sprayer that is still pressurized may result in the high-speed ejection of components. Ensure the sprayer is OFF and squeeze the shut-off lever until all pressure is released.

Repairs

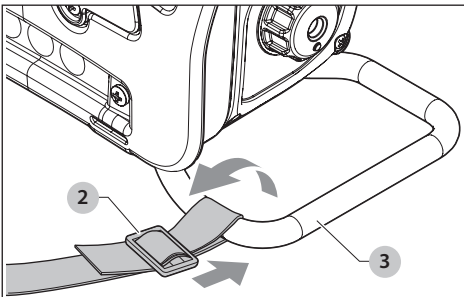
The charger and battery pack are not serviceable. There are no serviceable parts inside the charger or battery pack.

Replacing the Harness

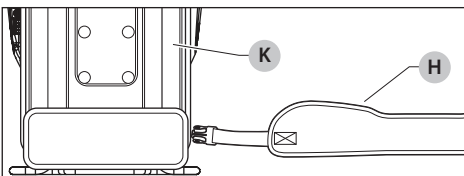
1. For each side of the harness (K), remove the small plastic clips (1) from the two shoulder strap loops and thread each loop through the slots at the top of the sprayer handle.
2. Replace the clips (1) through the loops and pull the strap securing the two harness (K) straps in place.



3. For the lower straps, remove the strap from the top portion of the buckles (2) and place around the foot stand (3), starting from underneath.
4. Loop the strap through the first section of the buckle (2). Then loop the strap through the other section of the buckle (2) to tighten. Adjust the shoulder pads and strap lengths for a comfortable fit.



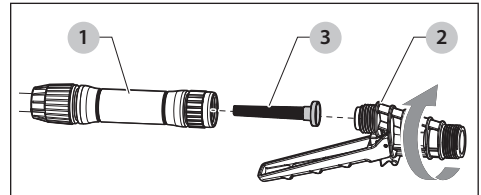
5. The harness waist belt (H) is removable. The lumbar support section of the harness (K) has a pass-through, by which the waist belt can be assembled or disassembled by pulling through - The waist belt will be assembled to the harness out of the box, disassembly is just pulling it from the main harness; assembling is feeding it through the main harness.



Shut-Off Assembly Maintenance

▲ WARNING: Prior to performing maintenance, always depressurize the sprayer by turning the sprayer OFF and squeezing the shut-off lever to spray until liquid flow stops.

1. Unscrew the handle (1) from the shut-off assembly (2).
2. Remove the filter (3).
3. Clean any debris from inside the handle (1), shut-off assembly (2), or the filter (3) by rinsing with cool, clean water.
4. Reassemble the components as shown and tighten all connections securely.



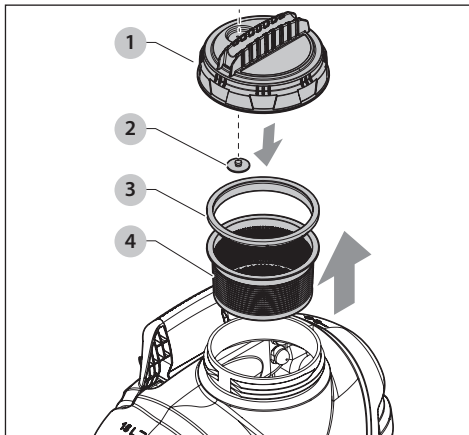
Nozzle Maintenance

▲ WARNING: Prior to performing maintenance, always depressurize sprayer by ensuring the sprayer is OFF and then squeezing the shut-off lever to spray until liquid flow stops.

- If a nozzle clogs, remove and disassemble the nozzle assembly.
- Clean the openings of any obstructions or residue.
- Do not use sharp tools that could scratch or damage the nozzles as spray pattern could be affected.
- Do not hit nozzle against surfaces to unclog.

Cap and Strainer Basket Maintenance

- Check the check valve (2) on the cap (1) and the strainer basket gasket (3) on the strainer basket (4) to ensure they do not show signs of wear and are operating properly.
- Replace them as required.



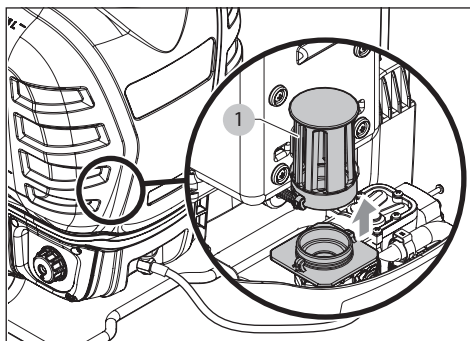
In-Tank Filter Maintenance

▲ CAUTION: RISK OF DAMAGE TO INTERNAL COMPONENTS. Do not operate the sprayer without the in-tank filter properly installed. Doing so could allow debris to enter the pump and cause clogging or damage to the pump.

1. Ensure the sprayer is OFF and remove the battery according to the *Removing the Battery* instructions.
2. Remove the cap and strainer basket. Rinse with clean water to remove any debris.
3. Place the strainer basket and cap on a clean surface where they will not collect dirt, dust, grass clippings, or other debris.
4. Pour any liquid from the tank into an appropriate container for later use or proper disposal according to chemical manufacturer's instructions.
5. Rinse and empty the tank to remove any dirt, debris, or residue.
6. Reach into the tank and carefully grasp the in-tank filter (1) located at the bottom of the tank.
7. Turn the in-tank filter approximately 1/8 of a turn counterclockwise until it stops turning and pull up to remove it from the tank.
8. Clean the in-tank filter carefully rinsing from the inside to the outside. Be sure not to tear or damage the mesh. Any damage to the mesh may allow debris to enter the pump and cause clogging or damage to the pump.

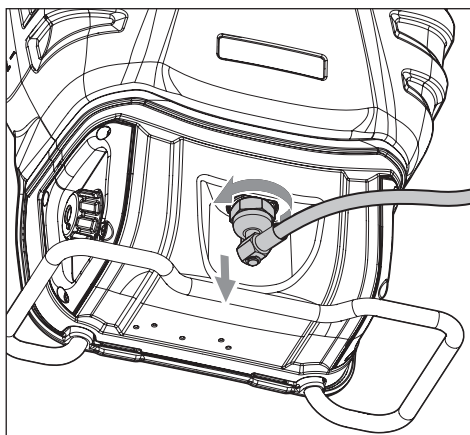
NOTE: If the in-tank filter is damaged or too dirty to permit cleaning, replace with a new in-tank filter.

9. To re-install the in-tank filter, gently set it back over the filter base in the bottom of the tank, and slowly turn the filter clockwise until the locking tabs on the filter base align with the grooves in the filter. The in-tank filter will drop downward approximately 1/8 in., when this happens.
10. Push down on the in-tank filter until it stops, approximately another 1/4 in., then turn the in-tank filter approximately 1/8 turn clockwise until it stops.



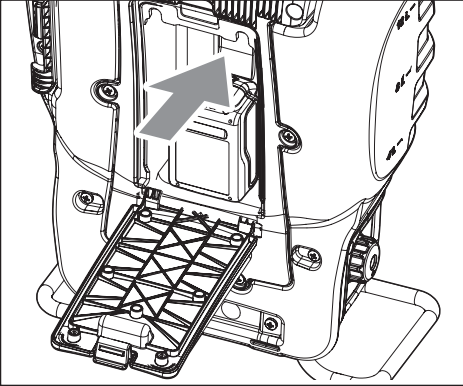
Hose Attachment Maintenance

1. Detach the shut-off assembly from the sprayer body by twisting counterclockwise to remove any remaining water from the Hose.



QR CODE

A QR Code is on a label inside the battery compartment. Scan the QR code for information on the product. Scanning the QR code will redirect the customer to the Variable Flow Backpack Website page where they can purchase replacement parts, view the User Manual, access various videos and documents, and obtain assistance on the usage and troubleshooting of the backpack.



Scan for product information.



product: **190723W**
thefountainheadgroup.com

Manufactured by:

The Fountainhead Group, Inc.
 23 Garden Street
 New York Mills, NY 13417 U.S.A.

Fax: (315) 768-4220

Email: Info@TheFGI.com

www.TheFountainheadGroup.com

FREQUENTLY ASKED QUESTIONS

See <https://www.thefountainheadgroup.com/> for specific product FAQ's.

PATENT NUMBERS

See <https://www.thefountainheadgroup.com/> for specific product patent numbers.

REPLACEMENT PARTS

See <https://www.thefountainheadgroup.com/> for specific product replacement parts.

WARRANTY

See <https://www.thefountainheadgroup.com/> for specific product warranty.

TROUBLESHOOTING GUIDE

BE SURE TO FOLLOW SAFETY RULES AND INSTRUCTIONS

For assistance with your product, visit our website at www.thefountainheadgroup.com or call 1-800-311-9903.

PROBLEM	POSSIBLE CAUSE	SOLUTION
The sprayer does not turn ON (no audible hum of the pump).	Ensure the battery is correctly installed.	Install the battery correctly. See <i>Installing the Battery</i> .
	Ensure the battery is charged.	Charge the battery. See <i>Charging the Battery</i> .
	The battery may be damaged or may have overheated. Visually inspect the battery for damage.	Replace the battery if it is damaged or not working. If the battery overheated, allow the battery to cool.
The sprayer turns ON (pump head hums) but it will not spray.	The hose is pressurized. The pump turned OFF automatically.	Squeeze the shut-off lever to see if the sprayer starts and the pump turns ON.
	There is no liquid in the tank.	Add liquid to the tank. See <i>Filling the Sprayer</i> .
The sprayer turns ON but only sprays at low pressure.	The shut-off filter is clogged.	Clean the shut-off filter. See <i>Shut-off Assembly Maintenance</i> .
	The nozzle is clogged.	Clean the nozzle. See <i>Nozzle Maintenance</i> .
	The in-tank filter is clogged.	Clean the in-tank filter. See <i>In-Tank Filter Maintenance</i> .
	The pump is not primed.	Allow at least 30 seconds for the pump to prime.
	The shut-off filter is clogged.	Clean the shut-off filter. See <i>Shut-off Assembly Maintenance</i> .
The sprayer turns ON but only sprays at low pressure.	The nozzle is clogged.	Clean the nozzle. See <i>Nozzle Maintenance</i> .
	The in-tank filter is clogged.	Clean the in-tank-filter. See <i>In-Tank Filter Maintenance</i> .
	The pump is not primed.	Allow at least 30 seconds for the pump to prime.
The pump does not fully prime.	The liquid level in the tank is low.	Add liquid to the tank. See <i>Filling the Sprayer</i> .
	The pump was run dry (without liquid) before the tank was refilled.	Ensure the sprayer is OFF and squeeze the shut-off lever until all pressure is relieved.
	There is chemical residue or build-up in the tank and/or pump due to improper or inadequate cleaning.	Clean the sprayer. See <i>Cleaning</i> . If necessary, repeat with warm water and a mild detergent mixture. Allow the mixture to stay in the pump for up to 1 hour prior to rinsing. Replace the pump if necessary.
	The in-tank filter is improperly installed, missing, or damaged, allowing debris to enter the pump.	Clean the sprayer. See <i>Cleaning</i> . If necessary, repeat with warm water and a mild detergent mixture. Allow the mixture to stay in the pump for up to 1 hour prior to rinsing. Replace the pump if necessary.
The hose leaks at the tank connection.	The hose is cracked, swollen, or faulty.	Replace the shut-off assembly.
	The connection is damaged.	Replace the shut-off assembly

PROBLEM	POSSIBLE CAUSE	SOLUTION
The hose leaks at the shut-off assembly.	The hose is cracked, swollen, or faulty.	Replace the shut-off assembly.
	The connection is damaged.	Replace the shut-off assembly
The nozzle drips when the shut-off lever is released.	There is dirt or debris in the shut-off lever.	Clean the shut-off assembly.
	There is a damaged O-ring or seal in the shut-off assembly.	Replace the shut-off assembly.
The nozzle tip leaks.	The flat seal is missing.	Install the flat seal behind the nozzle tip. See <i>Assembly</i> .
	The flat seal is damaged.	Replace the flat seal.
The spray pattern is poor.	Variable Control is not turned to recommended setting.	See <i>Nozzle Spray Chart</i> .
	The nozzle is partially clogged.	Clean the nozzle. See <i>Cleaning</i> .
	The nozzle is damaged.	Replace the nozzle.
The unit shuts off abruptly.	The battery pack has reached its maximum thermal limit.	Allow the battery pack to cool down.
	The battery is out of charge. To maximize the life of the battery, it is designed to shut off abruptly when the charge is depleted.	Place the battery on the charger and allow it to charge.
The battery pack does not charge.	The battery pack is not inserted in the charger.	Insert the battery pack into the charger until the LED illuminates.
	The charger is not plugged in.	Plug the charger into a working outlet.
	The surrounding air temperature is too hot or too cold.	Move the battery pack to a surrounding air temperature of above 40° F (4.5° C) or below 104° F (40° C).
Battery will not charge.	No lights illuminated on charger (not plugged into outlet).	Plug charger into outlet.
	No lights illuminated on charger (plugged into outlet).	Check that outlet is functioning.
	No lights illuminated on charger (plugged into outlet, the outlet is functioning).	Replace charger.
	Red light illuminated on charger, no green light (charger cannot recognize battery).	Replace battery.
	Red light continues blinking on charger (battery temperature too high for safe charging).	Allow battery to cool.
	Red and green lights blink alternately on charger (battery cannot be charged).	Replace battery.

NOZZLE FLOW CHARTS

NOTICE: RISK OF PROPERTY DAMAGE. Always turn flow control knob to low GPM setting (1–3) when switching to a low flow nozzle.

NOTICE: RISK OF PROPERTY DAMAGE. Failure to abide by Nozzle Flow Chart recommendations may result in a damaged pump and void warranty.

Nozzles Included with Product

	Variable Control Dial Setting							
	1		2		3		4	
	Flow (gpm)	Pressure (psi)	Flow (gpm)	Pressure (psi)	Flow (gpm)	Pressure (psi)	Flow (gpm)	Pressure (psi)
High-Volume Foam (White)	0.18	13	0.21	18	0.23	23	0.26	28
Foaming Weed (Black)	0.17	16	0.20	22	0.22	27	0.24	32
Low-Volume Narrow Fan (Yellow)	0.18	12	0.21	17	0.24	22	0.26	27
Low-Volume Wide Fan (Red)	0.18	13	0.21	18	0.23	23	0.26	28
High-Volume Wide Fan (Brown)	0.21	3	0.26	4	0.30	6	0.33	7
Jet Stream (Orange)	0.20	6	0.24	8	0.27	11	0.31	14
Brass Adjustable (Straight Stream)	0.20	6	0.24	8	0.27	11	0.31	14
Brass Adjustable (Full Cone)	0.14	27	0.16	35	0.17	40	0.19	50

NOTE: Pressure and Flow may vary ~10%

TEEJET/UNIJET Fan Nozzles (Not Included)





	Variable Control Dial Setting							
	1		2		3		4	
	Flow (gpm)	Pressure (psi)	Flow (gpm)	Pressure (psi)	Flow (gpm)	Pressure (psi)	Flow (gpm)	Pressure (psi)
0.1 GPM @ 40 psi Fan (all spray angles)	0.11	43						
0.2 GPM @ 40 psi Fan (all spray angles)	0.15	22	0.18	29	0.18	29	0.20	36
0.3 GPM @ 40 psi Fan (all spray angles)	0.18	13	0.21	17	0.23	22	0.25	27
0.4 GPM @ 40 psi Fan (all spray angles)	0.19	9	0.22	12	0.25	16	0.28	20
0.5 GPM @ 40 psi Fan (all spray angles)	0.20	6	0.23	9	0.27	11	0.30	15
0.6 GPM @ 40 psi Fan (all spray angles)	0.20	4	0.24	6	0.28	9	0.32	11
0.8 GPM @ 40 psi Fan (all spray angles)	0.21	3	0.26	4	0.30	5	0.33	7
1.0 GPM @ 40 psi Fan (all spray angles)	0.22	2	0.26	3	0.31	4	0.34	5

NOTE: Pressure and Flow may vary ~5%

Misting Nozzles (Not Included)

	Variable Control Dial Setting							
	1		2		3		4	
	Flow (gpm)	Pressure (psi)	Flow (gpm)	Pressure (psi)	Flow (gpm)	Pressure (psi)	Flow (gpm)	Pressure (psi)
Yellow Conical Misting (TXVK-3)								
Green Conical Misting (TXVK-4)	0.07	43					0.10	83
Red Conical Misting (TXVK-6)	0.11	43					0.14	74
Black Conical Misting (TXVK-10)	0.14	29	0.16	38			0.19	53
Brown Conical Misting (TXVK-12)	0.15	23	0.18	30	0.19	37	0.21	44

NOTE: All values represent spraying with water or similar viscosity liquid product.

-  Optimal spray pattern.
-  May not be optimal spray pattern.
-  TeeJet Target Setting
-  Not recommended; may over-work and damage pump with frequent use.

Variable Control Dial Setting											
5		6		7		8		9		10	
Flow (gpm)	Pressure (psi)	Flow (gpm)	Pressure (psi)	Flow (gpm)	Pressure (psi)	Flow (gpm)	Pressure (psi)	Flow (gpm)	Pressure (psi)	Flow (gpm)	Pressure (psi)
0.28	33	0.31	40	0.33	48	0.34	51	0.36	55	0.38	62
0.27	39	0.29	47	0.31	54	0.32	57	0.33	61	0.35	67
0.28	32	0.31	39	0.34	46	0.35	49	0.36	54	0.38	60
0.28	33	0.31	40	0.33	48	0.34	51	0.36	55	0.38	62
0.37	9	0.42	12	0.46	15	0.49	17	0.53	20	0.58	24
0.34	17	0.38	21	0.42	25	0.44	28	0.47	32	0.50	37
0.34	17	0.38	21	0.42	25	0.44	28	0.47	32	0.50	37
0.21	60	0.22	69	0.24	77						

Variable Control Dial Setting											
5		6		7		8		9		10	
Flow (gpm)	Pressure (psi)	Flow (gpm)	Pressure (psi)	Flow (gpm)	Pressure (psi)	Flow (gpm)	Pressure (psi)	Flow (gpm)	Pressure (psi)	Flow (gpm)	Pressure (psi)
0.21	42	0.23	51	0.25	59	0.26	67				
0.28	33	0.31	39	0.33	47	0.34	50	0.36	54	0.38	61
0.31	24	0.34	29	0.37	35	0.39	39	0.41	43	0.44	49
0.33	18	0.37	22	0.41	27	0.43	30	0.45	35	0.49	40
0.35	14	0.39	17	0.43	21	0.46	24	0.49	28	0.53	33
0.37	9	0.41	11	0.46	14	0.49	16	0.53	19	0.58	24
0.38	6	0.43	8	0.48	10	0.51	12	0.55	14	0.61	18

Variable Control Dial Setting											
5		6		7		8		9		10	
Flow (gpm)	Pressure (psi)	Flow (gpm)	Pressure (psi)	Flow (gpm)	Pressure (psi)	Flow (gpm)	Pressure (psi)	Flow (gpm)	Pressure (psi)	Flow (gpm)	Pressure (psi)
0.15	84										
0.20	63	0.21	72	0.22	79	0.23	82				
0.23	53	0.25	61	0.26	69	0.27	79				

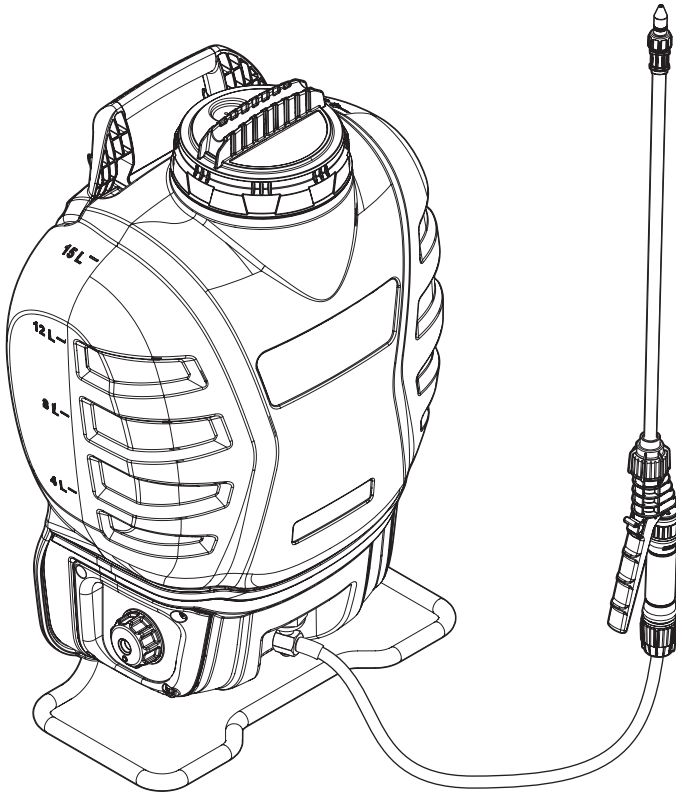
MODELO N.º: 190723W

MANUAL #: 185777-A



MANUAL DE INSTRUCCIONES

Pulverizador de mochila de flujo variable



No devuelva este producto a la tienda.
Para obtener ayuda, información o piezas,
comuníquese con:



**THE
FOUNTAINHEAD
GROUP**

Craftsmanship. Innovation. Commitment

www.thefountainheadgroup.com

(800) 311-9903 | info@thefgi.com

23 Garden St. New York Mills, NY, 13417



⚠ ADVERTENCIA

Lea y comprenda el manual antes de usar este producto.

El incumplimiento de las instrucciones puede ocasionar la muerte o lesiones graves.

CONTENIDO

INSTRUCCIONES IMPORTANTES DE SEGURIDAD	42
<i>Definiciones</i>	42
SEGURIDAD EN EL USO DE LOS PRODUCTOS QUÍMICOS	43
SEGURIDAD DEL PULVERIZADOR	42
<i>Información de seguridad adicional</i>	43
ENSAMBLAJE	43
<i>Contenido del paquete</i>	43
<i>Funcionalidad y usos de la boquilla</i>	44
<i>Control de flujo</i>	44
<i>Tabla de flujo de las boquillas</i>	44
<i>Ensamblaje del pulverizador</i>	45
<i>Conexión de una boquilla</i>	45
FUNCIONAMIENTO	45
<i>Instrucciones importantes de seguridad para todos los cargadores de batería</i>	46
<i>Instrucciones importantes de seguridad para todas las baterías</i>	46
<i>Uso y cuidado de la herramienta a batería</i>	47
<i>Servicio</i>	47
<i>Indicadores de la batería</i>	47
<i>Carga de la batería</i>	47
<i>Llenado del pulverizador</i>	48
<i>Instalación de la batería</i>	49
<i>Retirar la batería</i>	49
<i>Indicador de vida de la batería</i>	49
<i>Rociado</i>	49
LIMPIEZA	50
<i>Limpieza de la batería</i>	51
<i>Instrucciones de limpieza del cargador</i>	51
CLIP DE ALMACENAMIENTO DE LA VARILLA VERTICAL	51
CLIP DE ALMACENAMIENTO DE LA BOQUILLA	51
ALMACENAMIENTO	51
TRANSPORTE	51
MANTENIMIENTO	51
<i>Reparaciones</i>	51
<i>Reemplazo del arnés</i>	52
<i>Mantenimiento del conjunto de cierre</i>	52
<i>Mantenimiento de la boquilla</i>	52
<i>Mantenimiento de la cesta del colador y de la tapa</i>	53
<i>Mantenimiento del filtro del tanque</i>	53
<i>Mantenimiento del accesorio de la manguera</i>	53
CÓDIGO QR	54
PREGUNTAS FRECUENTES	54
NÚMEROS DE PATENTE	54
PIEZAS DE REPUESTO	54
GARANTÍA	54
GUÍA DE RESOLUCIÓN DE PROBLEMAS	55
TABLAS DE FLUJO DE LAS BOQUILLAS	58
<i>Boquillas incluidas con el producto</i>	58
<i>Boquillas de abanico TEEJET/UNIJET (no incluidas)</i>	58
<i>Boquillas de vaporización (no incluidas)</i>	58

INSTRUCCIONES IMPORTANTES DE SEGURIDAD

Definiciones

- ▲ **PELIGRO:** Indica una situación peligrosa que, si no se evita, provocará la muerte o lesiones graves.
 - ▲ **ADVERTENCIA:** Indica una situación peligrosa que, si no se evita, podría provocar la muerte o lesiones graves.
 - ▲ **PRECAUCIÓN:** Indica una situación peligrosa que, si no se evita, podría provocar lesiones leves o moderadas.
- AVISO:** Indica información considerada importante, pero no relacionada con el peligro (por ejemplo, mensajes relacionados con daños a la propiedad).
- ▲ **ADVERTENCIA:** AL USAR PULVERIZADORES ELÉCTRICOS, SIEMPRE SE DEBEN SEGUIR PRECAUCIONES BÁSICAS, INCLUIDAS LAS SIGUIENTES:

- Antes de usar el pulverizador, lea todas las instrucciones.
- Para reducir el riesgo de lesión, es necesaria la supervisión cercana cuando se usa algún electrodoméstico cerca de los niños.
- Solo use los accesorios recomendados o vendidos por el fabricante.
- En pulverizadores recargables, use solo el cargador suministrado por el fabricante para recargarlos.

SEGURIDAD EN EL USO DE PRODUCTOS QUÍMICOS

- ▲ **PELIGRO:** RIESGO DE MUERTE, LESIONES GRAVES Y/O DAÑOS A LA PROPIEDAD DEBIDO AL USO O LA MEZCLA DE SUSTANCIAS QUÍMICAS INDEBIDAS.
- Nunca use productos químicos inflamables o combustibles en este pulverizador. Rociar productos químicos inflamables o combustibles puede crear vapores combustibles que pueden encenderse y causar una explosión.
- Use solo los productos químicos indicados para aplicaciones de rociado. Algunos productos químicos pueden crear una atmósfera tóxica o peligrosa cuando se rocían.
- Consulte siempre las instrucciones del fabricante de los productos químicos y/o la hoja de datos de seguridad (SDS) de los productos químicos para una mezcla y aplicación seguras.

SEGURIDAD DEL PULVERIZADOR

- ▲ **ADVERTENCIA:** RIESGO DE LESIONES Y/O DAÑOS A LA PROPIEDAD DEBIDO A LA EXPOSICIÓN A PRODUCTOS QUÍMICOS.

- ▲ **ADVERTENCIA:** NO EXPONER A LA LLUVIA. ALMACENAR EN INTERIORES.

- Lea y comprenda todo el manual de instrucciones antes de usar este pulverizador.
- Siga todas las instrucciones y precauciones del manual de instrucciones cuando utilice este pulverizador.
- Lea y siga todas las instrucciones y precauciones de la etiqueta del fabricante de los productos químicos que se utilicen en este pulverizador.
- Utilice el equipo de protección personal (EPP) adecuado según las recomendaciones del fabricante del producto químico y/o consulte la hoja de datos de seguridad (SDS) del producto químico que se utilizará. Esto incluye al menos gafas, guantes y ropa de protección. De no usar el EPP adecuado podría causar una exposición química a través del contacto con la piel o con los ojos, por inhalación u otros medios.
- Después del ensamblaje inicial, un almacenamiento prolongado o cualquier evento que pueda haberlo dañado, como una caída, inspeccione siempre si el pulverizador está dañado y pruebe con agua corriente si funciona correctamente. Asegúrese de que todas las conexiones estén fijas y no tengan fugas, y que la manguera no esté dañada, antes de usar el pulverizador con productos químicos.
- Inspeccione siempre las mangueras y las conexiones antes de cada uso. Una manguera dañada o conexiones flojas pueden causar una descarga sin control de los productos químicos a alta presión.
- No rocíe cerca de llamas abiertas, superficies calientes o cualquier cosa que podría vaporizar el líquido. De hacerlo, se podría generar una atmósfera química peligrosa.
- Nunca use sustancias cáusticas, cloro, ácidos, agua caliente o productos químicos que produzcan presión en este pulverizador.
- Mantenga el pulverizador y todos los productos químicos fuera del alcance de niños y mascotas.
- Rocíe solo cuando no haya viento ni brisa para evitar que el rociado del producto químico se desvíe hacia superficies no deseadas.
- Siempre libere la presión cuando no está usando el pulverizador y antes de realizar cualquier mantenimiento o limpieza.
- Nunca guarde productos químicos en el pulverizador.
- Almacene o desheche los productos químicos sin usar conforme a las instrucciones de sus respectivos fabricantes debido al potencial de daño ambiental por un derrame o fuga, y/o consulte los criterios de desecho a los que se hace referencia en la SDS.
- Limpie y enjuague el pulverizador después de cada uso para evitar la exposición no intencional a productos químicos y evitar contaminación en usos subsiguientes.

• Almacene el pulverizador en un lugar cálido, seco y sin polvo lejos de la luz solar directa.

▲ ADVERTENCIA: RIESGO DE LESIONES Y/O DAÑOS A LA PROPIEDAD DEBIDO A LA RUPTURA Y/O DESCARGA SIN CONTROL DE PRODUCTOS QUÍMICOS LÍQUIDOS A ALTA PRESIÓN.

• Nunca modifique o altere el estado original del pulverizador. Nunca caliente ni modifique la manguera, la tuerca de la manguera o la lengüeta. Hacerlo podría debilitar los componentes y/o las conexiones.

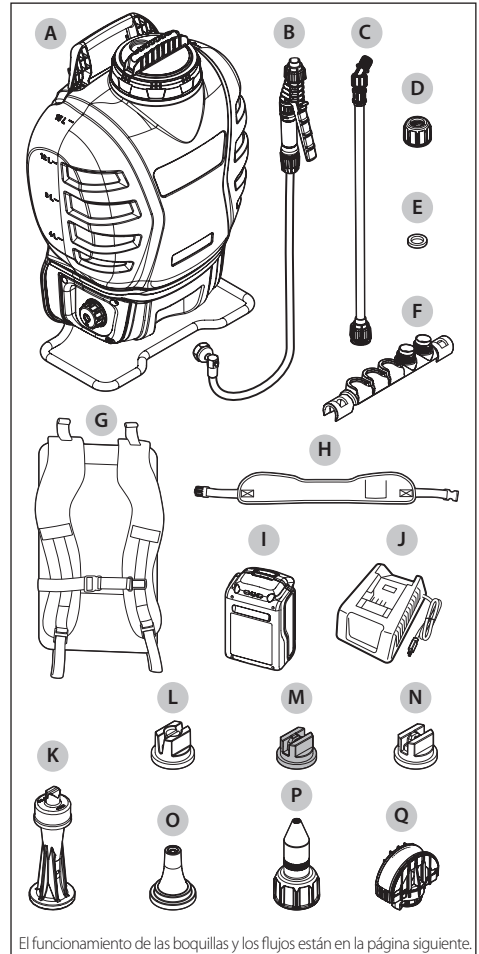
• Use solo piezas de repuesto del fabricante original. Otras piezas de repuesto no son compatibles con este pulverizador.

• Nunca presurice el pulverizador con ningún dispositivo que no sea la bomba suministrada por el fabricante original. El uso de un compresor de aire u otro dispositivo no estándar para presurizar el tanque podría exceder la presión segura de funcionamiento del pulverizador.

• No levante, transporte o jale el pulverizador por la manguera, la válvula de cierre o la extensión de la varilla. Hacerlo podría debilitar los componentes y/o las conexiones. Lleve por el asa o el arnés solamente, asegurándose de que las conexiones estén bien aseguradas antes de levantar.

• Para reducir el riesgo de descarga eléctrica, no ponga el aparato en agua u otro líquido. No coloque ni guarde el aparato donde pueda caerse o ser empujado dentro de una bañera o lavabo.

Contenido del paquete



El funcionamiento de las boquillas y los flujos están en la página siguiente.

Información de seguridad adicional

▲ ADVERTENCIA: No modifique nunca el pulverizador ni ninguna de sus partes. Podrían producirse daños o lesiones.

GUARDE ESTAS INSTRUCCIONES PARA SU USO FUTURO

ENSAMBLAJE

▲ ADVERTENCIA: RIESGO DE LESIONES Y/O DAÑOS A LA PROPIEDAD DEBIDO A LA EXPOSICIÓN A PRODUCTOS QUÍMICOS. Después del ensamblaje inicial, inspeccione siempre si el pulverizador está dañado y pruebe con agua corriente para verificar el funcionamiento correcto. Asegúrese de que todas las conexiones estén fijadas y no tengan fugas, y que la manguera no esté dañada, antes de usar el pulverizador con productos químicos.

▲ ADVERTENCIA: Solo use los accesorios recomendados o vendidos por el fabricante.

▲ ADVERTENCIA: Únicamente para uso doméstico.

- A Pulverizador
- B Conjunto de cierre
- C Varilla
- D Tuerca de sombrero
- E Junta plana
- F Clip de almacenamiento de la boquilla
- G Arnés
- H Cinto de arnés
- I Batería
- J Cargador de batería
- K Boquilla de espuma para malas hierbas (Negra)
- L Boquilla de abanico ancho de alto volumen (Marrón)
- M Boquilla de abanico estrecho de bajo volumen (Roja)
- N Boquilla de abanico estrecho de bajo volumen (Amarilla)
- O Boquilla de chorro (Naranja)
- P Boquilla cónica ajustable
- Q Boquilla de espuma de alto volumen (Blanca)

Funcionalidad y usos de la boquilla

Boquilla de espuma para malas hierbas (Negra)



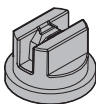
- Marca visiblemente las malas hierbas tratadas cuando se usa herbicida o surfactantes.
- Rociado localizado de malas hierbas en pasto o alrededor de lechos de flores, árboles y arbustos.
- Bordeado de cercas, entradas para vehículos y caminos.

Boquilla de abanico ancho de alto volumen (Marrón)



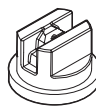
- Rociado plano para una cobertura muy amplia y líquidos de mayor viscosidad.

Boquilla de abanico ancho de bajo volumen (Roja)



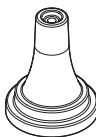
- Reemplazo del césped. Elimina el césped y las malas hierbas antes de plantar un nuevo césped.
- Preparación de áreas grandes para plantar plantas ornamentales y huertos.

Boquilla de abanico estrecho de bajo volumen (Amarilla)



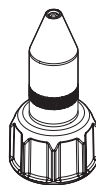
- Rociado de precisión en áreas como jardines y arriates.

Boquilla de chorro (Naranja)



- Chorro focalizado para aplicaciones detalladas a distancia.
- Ideal para rociar nidos de avispas, grietas, resquicios y otros objetivos difíciles de alcanzar.

Boquilla cónica ajustable



- Rociado focalizado en arriates, caminos, entradas para vehículos y patios, alrededor de árboles y arbustos.
- Bordeado de cercas, entradas para vehículos y caminos.
- Eliminación de arbustos como hiedra venenosa, roble venenoso, kudzu y mora silvestre.

Boquilla de espuma de alto volumen (Blanca)



- Rocía una espuma gruesa que se adhiere a superficies verticales para una acción de limpieza óptima.
- Rocíe en paredes, pasarelas, patios/plataformas, equipos eléctricos, vehículos y más.

Control de flujo

El flujo se puede controlar girando la perilla de control (1). Cada posición (1 a 10) tiene un retén discreto; cada posición de retén tiene retroalimentación tangible.

La mochila mantiene un flujo constante sin importar el estado de la batería; cuando se elige un ajuste de perilla preferido para una boquilla específica, el patrón de rociado y el flujo se mantendrán iguales durante toda la aplicación.

Presión máxima de trabajo	
Posición	Flujo
1-3	1-3 trabajo en una posición de corte de baja presión
4-10	4-10 trabajo en una posición de corte de alta presión

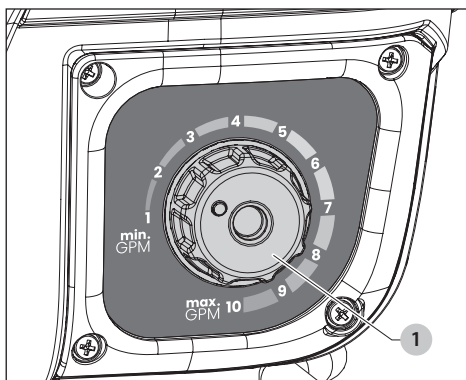


Tabla de flujo de las boquillas

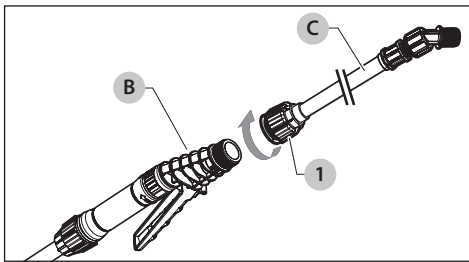
AVISO: RIESGOS DE DAÑO A LA PROPIEDAD. Siempre gire la perilla de control de flujo a un ajuste de bajo GPM (1-3) al pasar a una boquilla de bajo flujo.

AVISO: RIESGOS DE DAÑO A LA PROPIEDAD. No cumplir con las recomendaciones de la Tabla de flujo de las boquillas podría dañar la bomba y anular la garantía.

Consulte Tablas de flujo de las boquillas en las páginas 56 y 57.

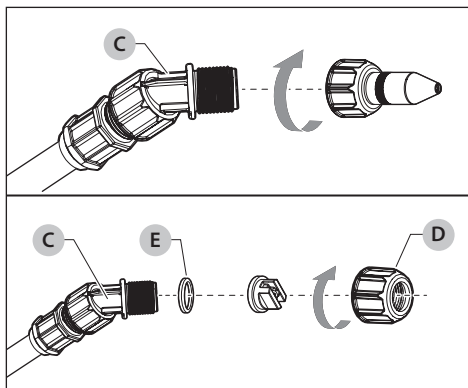
Ensamblaje del pulverizador

1. Instale la varilla (C) en el conjunto de cierre (B) y apriete la tuerca (1) en la varilla (C) para asegurarlos.



Conexión de una boquilla

Fije la boquilla seleccionada (L – Q) al extremo de la varilla (C) con un sello plano (E) de ser necesario, y apriete bien con la tuerca de sombrerete (D).



FUNCIONAMIENTO

▲ **ADVERTENCIA:** RIESGO DE LESIONES DEBIDO A LA EXPOSICIÓN A PRODUCTOS QUÍMICOS. Utilice el equipo de protección personal (EPP) adecuado según las recomendaciones del fabricante del producto químico y/o consulte la hoja de datos de seguridad (SDS) del producto químico que se utilizará. Esto incluye al menos gafas, guantes y ropa de protección.

▲ **ADVERTENCIA:** Para reducir el riesgo de lesiones graves, apague la unidad y quite la batería antes de realizar cualquier ajuste o de retirar o instalar accesorios. Una puesta en marcha accidental puede causar lesiones.

AVISO: La batería no se entrega completamente cargada. Antes de utilizar la batería y el cargador, lea las instrucciones de seguridad que se indican a continuación y siga los procedimientos de carga que se indican.

Instrucciones importantes de seguridad para todos los cargadores de batería

▲ **ADVERTENCIA:** Lea todas las advertencias de seguridad, las instrucciones y las marcas de precaución de la batería, el cargador y el producto. El incumplimiento de las advertencias e instrucciones puede provocar descargas eléctricas, incendios y/o lesiones graves.

- **NO intente cargar la batería con ningún otro cargador que no sea uno con el número de pieza 183416 o 183417.** Estos dos cargadores (un cargador lento y un cargador rápido) y las baterías están diseñados específicamente para trabajar juntos.

- **Estos cargadores no están diseñados para otros usos que no sean la carga de baterías recargables 183411 o 183412.**

Cargar otros tipos de baterías puede causar que se sobrecalienten y exploten, y provocar lesiones personales, daños materiales, incendios, descargas eléctricas o electrocución.

- **No exponga el cargador a la lluvia o a la nieve.**
- **No permita que agua o algún líquido entre al cargador.**

- **Tire del enchufe en lugar del cable al desconectar el cargador.** Esto reducirá el riesgo de que se dañe el enchufe eléctrico y el cable.

- **Asegúrese de que el cable esté ubicado de manera que no se pise, no cause tropiezos ni se someta a daños o tensiones.**

- **No use una extensión a menos que sea absolutamente necesario.** El uso de una extensión inadecuada podría provocar riesgo de incendio, descarga eléctrica o electrocución.

- **Cuando utilice un cargador al aire libre, hágalo siempre en un lugar seco y utilice una extensión adecuada para uso en exteriores.** El uso de un cable apto para uso en exteriores reduce el riesgo de descarga eléctrica.

- **Las extensiones deben ser del calibre adecuado (AWG o American Wire Gauge) por seguridad.** Cuanto menor sea el número de calibre del cable, más pesado es el cable y por lo tanto mayor es su capacidad. Un cable de tamaño insuficiente causará una caída en el voltaje de la línea que provocará la pérdida de potencia y sobrecalentamiento. La siguiente tabla muestra el tamaño correcto a utilizar dependiendo de la longitud total de todas las extensiones enchufadas y el amperaje indicado en la placa de características. Si duda, use el siguiente calibre de más capacidad.

Calibre mínimo para los juegos de cables

Voltaje		Longitud total del cable en pies (metros)			
120 V		25 (7.6)	50 (15.2)	100 (30.5)	150 (45.7)
Amperaje		American Wire Gauge			
Más de	No más de				
0	6	18	16	16	14
6	10	18	16	14	12
10	12	16	16	14	12
12	16	14	12	No recomendado	

- **No coloque ningún objeto encima del cargador.** Ponga el cargador en un lugar alejado de toda fuente de calor.
- **No opere el cargador con un cable o enchufe dañado.** Reemplácelos de inmediato.
- **No utilice el cargador si ha recibido un golpe fuerte, se ha caído o se ha dañado de alguna manera.**
- **No desarme el cargador.**
- **El cargador está diseñado para funcionar con energía eléctrica doméstica estándar de 120 V.** No intente utilizarlo con ningún otro voltaje.
- **Los materiales extraños de naturaleza conductora, tales como, entre otros, polvo de esmerilado, virutas de metal, lana de acero, papel de aluminio o cualquier acumulación de partículas metálicas, deben mantenerse alejados de los puertos de carga del cargador.**
- **Desconecte siempre el cargador de la fuente de alimentación cuando no haya una batería puesta.**

Instrucciones de seguridad importantes para todas las baterías

▲ ADVERTENCIA: Lea todas las advertencias de seguridad, las instrucciones y las marcas de precaución de la batería, el cargador y el producto. El incumplimiento de las advertencias e instrucciones puede provocar descargas eléctricas, incendios y/o lesiones graves.

- **No cargue ni utilice la batería en atmósferas explosivas, como en presencia de líquidos, gases o polvo inflamables.** Insertar o quitar la batería del cargador puede encender el polvo o los vapores.

- **NUNCA fuerce la batería en el cargador. NO modifique la batería de ninguna manera para que encaje en un cargador no compatible, ya que la batería puede romperse y causar lesiones graves.**

- **Cargue las baterías solo en cargadores 183416 o 183417.**

- **NO salpique o sumerja la batería en agua u otros líquidos.**

- **NO deje que entre agua o cualquier líquido en la batería.**

- **No almacene ni utilice la herramienta y la batería en lugares donde la temperatura pueda alcanzar o superar los 104 °F (40 °C) (como cobertizos exteriores o edificios metálicos en verano).** Para obtener la mejor vida útil, almacene las baterías en un lugar fresco y seco.

- **NOTA: No almacene las baterías en una herramienta con el interruptor fijo en la posición de encendido. No utilice nunca cinta adhesiva para mantener el interruptor en la posición de ENCENDIDO.**

- **No incinere la batería, incluso si está muy dañada o completamente gastada.** La batería puede explotar al quemarse. Al quemarse, las baterías de iones de litio producen gases y materiales tóxicos.

- **Si el contenido de la batería entra en contacto con la piel, lave inmediatamente el área con agua y jabón suave.** Si el líquido de la batería entra en el ojo, enjuague con agua con el ojo abierto durante 15 minutos o hasta que cese la irritación. Si se necesita atención médica, el electrolito de la batería está compuesto por una mezcla de carbonatos orgánicos líquidos y sales de litio.

- **El contenido de las celdas de la batería abiertas puede causar irritación respiratoria.** Proporcione aire fresco. Si los síntomas persisten, busque atención médica.

- **El líquido de la batería puede ser inflamable si se expone a chispas o llamas.**

- **No intente abrir nunca la batería por ninguna razón. Si la carcasa de la batería está agrietada, no la inserte en el cargador.** No aplaste, deje caer ni dañe la batería. No utilice una batería o cargador que hayan recibido un golpe fuerte, se hayan caído, hayan sido aplastados por un vehículo o se hayan dañado de alguna manera (por ejemplo, perforado con un clavo, golpeado con un martillo, pisado).

- **Las baterías dañadas se deben reciclar adecuadamente.**

Uso y cuidado de la herramienta a batería

- **Recargue sólo con el cargador especificado por el fabricante.** Un cargador que es adecuado para un tipo de batería puede crear un riesgo de incendio cuando se utiliza con otra batería.
- **Las herramientas eléctricas sólo deben usarse con las baterías diseñadas específicamente para ellas.** El uso de cualquier otra batería puede crear un riesgo de lesiones y de incendio.
- Este pulverizador se entrega con una batería 183411 y un cargador 183416.

Baterías y cargadores compatibles

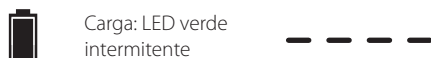
18 V de iones de litio	Baterías	183411,183412
	Cargadores	183416,183417

- ▲ **ADVERTENCIA:** El uso de cualquier otra batería puede crear un riesgo de lesiones y de incendio.
- **Cuando la batería no esté en uso, manténgala alejada de otros objetos metálicos, como clips, monedas, llaves, clavos, tornillos u otros pequeños objetos metálicos, que puedan hacer una conexión de un terminal a otro.** Causar un cortocircuito en los terminales de la batería puede causar quemaduras o un incendio.
- **En condiciones abusivas, se puede expulsar líquido de la batería; evite el contacto. Si se produce contacto accidental, enjuague con agua. Si el líquido entra en contacto con los ojos, busque también ayuda médica. El líquido expulsado de la batería puede causar irritación o quemaduras.**
- **No utilice una batería o una herramienta que esté dañada o que se haya modificado.** Las baterías dañadas o modificadas pueden tener un comportamiento impredecible y causar incendios, explosiones o riesgo de lesiones.
- **No exponga una batería o herramienta al fuego o a una temperatura excesiva.** La exposición al fuego o temperaturas superiores a 265 °F (130 °C) puede provocar una explosión.
- **Siga todas las instrucciones de carga y no cargue la batería o la herramienta fuera del rango de temperatura especificado en las instrucciones.** La carga inadecuada o a temperaturas fuera del intervalo especificado puede dañar la batería y aumentar el riesgo de incendio.

Servicio

- **Use solo piezas de repuesto idénticas suministradas por el fabricante original.** Esto garantizará que la calidad de la herramienta eléctrica se mantenga.
- **No repare nunca las baterías dañadas.** El servicio de las baterías sólo debe ser realizado por el fabricante o los proveedores de servicio autorizados.

Indicadores de la batería



Carga: LED verde intermitente



Carga completa: LED verde sólido



Retardo por batería caliente/fría: rojo intermitente



Batería dañada/ averiada: verde y rojo intermitentes alternados o rojo sólido



Carga de la batería

- ▲ **ADVERTENCIA:** No cargue la batería en temperaturas extremas. Se recomienda cargar la batería a temperaturas ambiente entre 32 y 104 °F (0 y 40 °C).

Para cargar la batería:

1. Enchufe el cargador en una toma de corriente apropiada.
2. Inserte y asiente la batería. La luz verde de carga parpadeará continuamente mientras se carga.
3. La carga está completa cuando la luz verde permanece encendida de forma fija. Las baterías no se deben almacenar en el cargador. Para garantizar una vida útil óptima de la batería, esta se debe cargar al menos una vez cada 3 meses cuando no se la usa.

NOTA: El cargador no cargará una batería averiada; de suceder esto, la luz permanecerá apagada, o bien parpadearán de forma alternada las luces roja y verde o se encenderá una luz roja sólida.

Retardo por batería caliente/fría

Si la luz en el cuerpo del cargador sigue parpadeando solo en rojo, la batería está demasiado caliente o fría para cargarla de forma segura. Si esto sucede porque la batería está demasiado caliente, debe dejar que se enfríe antes de poder cargarla; si esto sucede porque la batería está demasiado fría, debe dejar que se entibie antes de poder cargarla.

Sistema de protección electrónica

Las herramientas con baterías de iones de litio están diseñadas con un sistema de protección electrónica que protege las baterías contra sobrecargas, sobrecalentamientos o descargas completas.

Observaciones importantes sobre la carga

El cargador y la batería pueden sentirse calientes al tacto durante la carga. Esto es normal y no indica ningún problema. Para facilitar el enfriamiento de la batería después del uso, evite colocar el cargador o la batería en un entorno cálido como un cobertizo de metal o un remolque sin aislamiento.

Si la batería no se carga correctamente:

- Compruebe el funcionamiento de la toma de corriente enchufando una lámpara u otro aparato.
- Compruebe si la toma de corriente está conectada a un interruptor que corte el suministro eléctrico al accionarlo.
- Si sigue teniendo problemas de carga, reemplace la batería o el cargador. Consulte en la *Guía de resolución de problemas, La batería no carga*.

Puede cargar una batería parcialmente agotada en cualquier momento sin que ello afecte negativamente a la misma.

Tiempo de carga** (Horas) (0 % a 100 % de carga)			
Pilas	Vatios hora	Cargadores	
		183416 Rápido	183417 Lento
183411	36	1,25	3,5
183412	72	2	7

**Todos los tiempos de carga son aproximados. El tiempo de carga real puede variar.

Llenado del pulverizador

▲ PELIGRO: RIESGO DE MUERTE, LESIONES GRAVES Y/O DAÑOS A LA PROPIEDAD DEBIDO AL USO O LA MEZCLA DE SUSTANCIAS QUÍMICAS INDEBIDAS.

- Nunca use productos químicos inflamables o combustibles en este pulverizador. Rocíar productos químicos inflamables o combustibles puede crear vapores combustibles que pueden encenderse y causar una explosión.
- Use solo los productos químicos indicados para aplicaciones de rociado. Algunos productos químicos pueden crear una atmósfera tóxica o peligrosa cuando se rocían.
- Consulte siempre las instrucciones del fabricante de los productos químicos y/o la hoja de datos de seguridad (SDS) de los productos químicos para una mezcla y aplicación seguras.

▲ ADVERTENCIA: Inspeccione el pulverizador, la manguera, el cierre, la varilla y todas las conexiones para descartar daños antes de cada uso. Una conexión de manguera dañada o suelta puede dar lugar a una exposición involuntaria a los productos químicos presurizados, lo que provocaría lesiones graves o daños a la propiedad.

Antes de empezar

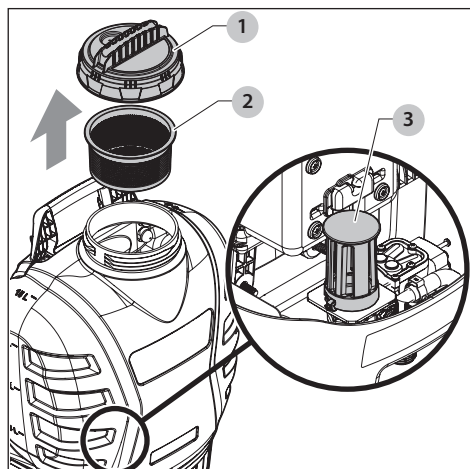
Pruebe el pulverizador con agua corriente antes de usarlo con productos químicos, antes de su uso inicial y después de un almacenamiento prolongado.

Coloque el pulverizador en una superficie estable y asegúrese de que esté apagado.

Retire la batería del compartimiento de la batería. Ver *Retirar la batería*.

Procedimiento de llenado

1. Desenrosque la tapa (1) y colóquela sobre una superficie limpia en la que no se acumule suciedad, polvo, recortes de hierba u otros desechos.
2. Retire la cesta del colador (2) y retire los residuos. Coloque la cesta del colador (2) sobre una superficie limpia en la que no se acumule suciedad, polvo, recortes de hierba u otros desechos.
3. Inspeccione el interior del tanque en busca de suciedad y límpielo si es necesario.
4. Compruebe que el filtro del depósito (3) está en su sitio, que la malla está intacta y que no está obstruida por suciedad. Ver *Mantenimiento del filtro del tanque*.
5. Asegúrese de que el conjunto de cierre (B) esté conectado al tanque. De lo contrario, saldrá líquido por la conexión abierta.
6. Siga las instrucciones del fabricante del producto químico para prepararlo. Llene el pulverizador vertiendo el líquido en la abertura superior y a través de la cesta del colador, hasta alcanzar el volumen deseado, guiándose con las marcas de volumen en el lateral del tanque.
7. Limpie todos los derrames, salpicaduras o desbordamientos de líquido en el pulverizador.
8. Inserte la batería de acuerdo con las instrucciones en la sección *Instalación de la batería*.



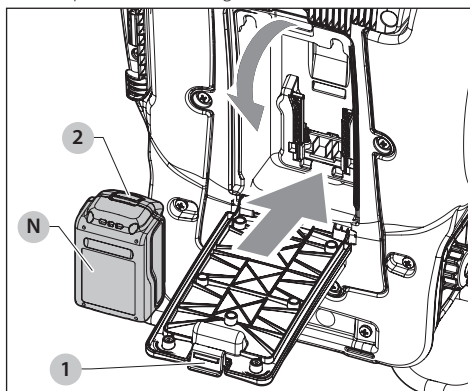
Instalación de la batería

▲ ADVERTENCIA: RIESGO DE INCENDIO, QUEMADURAS O DESCARGA ELÉCTRICA. Para reducir el riesgo de incendio o explosión de las baterías, use solo baterías 183411 o 183412 en buen estado. No utilice baterías que estén mojadas o que se hayan dañado.

▲ ADVERTENCIA: Evite el arranque involuntario. Asegúrese de que el interruptor esté en la posición de apagado antes de conectar la batería, levantar o transportar el pulverizador. Llevar el pulverizador con el dedo en el interruptor o activar el pulverizador con el interruptor encendido puede provocar accidentes.

▲ PRECAUCIÓN: RIESGO DE ROCIADO INESPERADO. Asegúrese de que el pulverizador esté apagado y de que la palanca de cierre no esté presionada antes de insertar la batería. El pulverizador rociará al insertar la batería si está encendido y la palanca de cierre presionada.

1. Asegúrese de que el pulverizador esté apagado y sobre una superficie estable.
2. Abra el compartimiento de la batería presionando hacia abajo el pestillo de la puerta (1) ubicado en la parte superior de la puerta y gire la puerta para abrirla y bajarla.
3. Alinee la batería (N) con los rieles dentro del compartimiento de la batería y deslícela para insertarla en el compartimiento hasta que la batería (N) esté firmemente asentada. Asegúrese de que no se desenganche.
4. Cierre la puerta y asegúrese de que el pestillo de la puerta (1) esté enganchado.



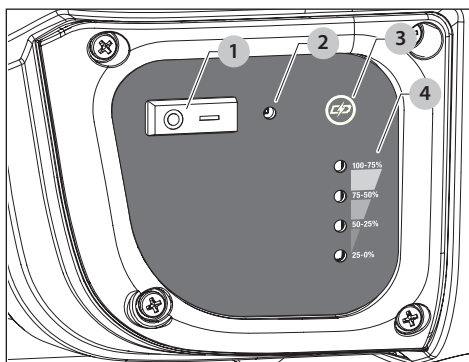
Retirar la batería

1. Asegúrese de que el pulverizador esté apagado y sobre una superficie estable.
2. Abra el compartimiento de la batería presionando hacia abajo el pestillo de la puerta (1) ubicado en la parte superior de la puerta y gire la puerta para abrirla y bajarla.
3. Presione el botón de la batería (2) y levante la batería (N) hasta que se suelte.
4. Retire la batería (N) del compartimiento.

5. Cierre la puerta y asegúrese de que el pestillo de la puerta (1) esté enganchado.

Indicador de carga de la batería

1. Cuando la batería está instalada, puede verificar la carga de la misma. Esta función está activa tanto si el dispositivo está encendido como apagado.
2. La interfaz de alimentación tiene un interruptor de tipo basculante (1), un LED azul (2) que se enciende cuando hay alimentación, un botón pulsador indicador de la batería (3) y luces indicadoras (4).
3. Mantenga presionado el botón indicador de la batería (3) para encender las luces indicadoras (4).
4. Luces indicadoras de la batería (4):
 - a. Cuatro luces verdes indican: 100%–75%.
 - b. Tres luces verdes indican: 75%–50%.
 - c. Dos luces verdes indican: 50%–25%.
 - d. Una luz verde indica: <25%.
 - e. Luz roja indica: Necesita carga.



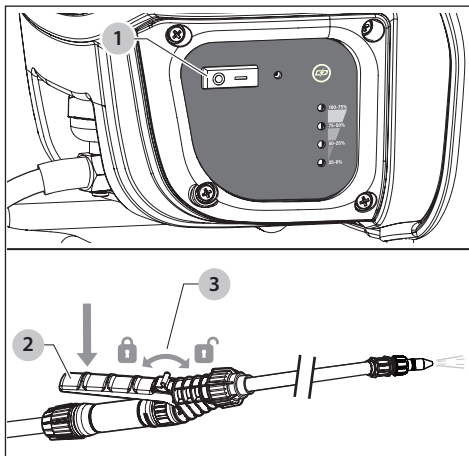
Rociado

▲ ADVERTENCIA: RIESGO DE LESIONES PERSONALES Y/O DAÑOS A LA PROPIEDAD DEBIDO AL ROCIADO NO DESEADA DE PRODUCTOS QUÍMICOS. Asegúrese de que la palanca de cierre está libre antes de encender el pulverizador. Una vez encendido, la bomba presurizará el sistema y pulverizará si la palanca de cierre está presionada.

AVISO: RIESGOS DE DAÑO A LA PROPIEDAD. Rocíe solo cuando no haya viento ni brisa para evitar que el rociado del producto químico se desvíe hacia superficies no deseadas.

1. Presione el interruptor de encendido (1) para encender el pulverizador. Si el pulverizador no se ha utilizado recientemente, es posible que escuche un zumbido bajo y audible. Esto indica que la bomba se ha encendido y está acumulando presión en el sistema.

NOTA: Si el pulverizador se utilizó recientemente, y todavía tiene presión en el sistema, la bomba podría no encenderse hasta que se apriete la palanca de cierre (2).

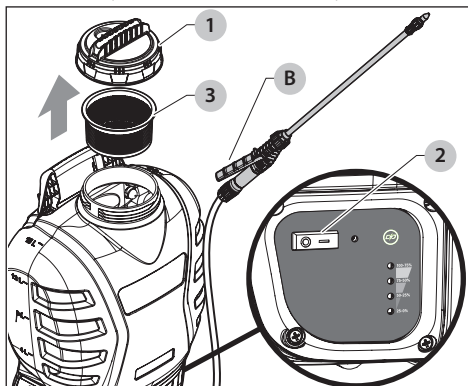


2. Apunte la varilla en la dirección deseada de rociado y apriete la palanca de cierre (2).
3. Para un rociado continuo, apriete la palanca de cierre (2) y gire el sistema de bloqueo (3) hacia la palanca o hacia la varilla en sentido horario para mantener la palanca de cierre (2) en la posición presionada.
4. Desbloquee, si es necesario, y libere la palanca de cierre (2) girando en sentido antihorario para detener el rociado.
5. Para apagar el pulverizador, presione el botón de encendido (1).
6. Vacíe siempre los productos químicos del pulverizador y límpielo cuando termine. Consulte las secciones *Limpieza* y *Almacenamiento* de este manual.

LIMPIEZA

- ▲ **ADVERTENCIA:** Libere siempre la presión del pulverizador antes de la limpieza. Desmontar un pulverizador que todavía está presurizado puede provocar la expulsión a alta velocidad de los componentes.
- ▲ **ADVERTENCIA: RIESGO DE LESIONES DEBIDO A LA EXPOSICIÓN A PRODUCTOS QUÍMICOS.** Utilice el equipo de protección personal (EPP) adecuado según las recomendaciones del fabricante del producto químico y/o consulte la hoja de datos de seguridad (SDS) del producto químico que se utilizará. Esto incluye al menos gafas, guantes y ropa de protección.
- ▲ **ADVERTENCIA: RIESGO DE DAÑO A LOS COMPONENTES INTERNOS.** Si el pulverizador no se enjuaga adecuadamente, se pueden acumular residuos químicos que pueden obstruir o dañar los filtros, la bomba, el cierre, la varilla y la boquilla. La acumulación de residuos químicos también puede contaminar las aplicaciones posteriores. Dejar líquidos químicos en el pulverizador cuando no se usa puede dar lugar a un desgaste prematuro del mismo. No almacene nunca el pulverizador con productos químicos en ninguna parte del mismo.

1. Asegúrese de que el pulverizador esté apagado y quite la batería conforme a la sección *Retirar la batería*.
2. Retire la tapa (1) y vierta cualquier producto químico que quede en el tanque en un recipiente adecuado para su uso posterior o deséchelo de acuerdo con las instrucciones del fabricante del producto químico.
3. Use agua limpia para enjuagar y vaciar el tanque hasta eliminar todos los productos químicos y residuos.
4. Añada aproximadamente 1 cuarto (1 litro) de agua limpia al tanque.
5. Inserte la batería según las instrucciones de la sección *Instalación de la batería* y presione el botón de encendido (2) para encender el pulverizador.
6. Descargue agua a través de la bomba, la manguera, el cierre, la varilla y la boquilla durante al menos 30 segundos para enjuagarlos. No enjuagar estos componentes puede permitir la acumulación de residuos químicos que pueden obstruir o dañar los componentes. Después de un uso intenso, enjuagar las boquillas puede no ser suficiente para eliminar los residuos. Puede ser necesario poner en remojo o limpiar las boquillas con un cepillo pequeño.
7. Vacíe el agua restante del tanque y continúe rociando hasta que ya no salga agua de la boquilla. Esto indica que se ha eliminado la mayor parte de agua del sistema.
8. Presione el botón de encendido (2) para apagar el pulverizador y luego retire la batería.
9. Apriete la palanca de cierre (B) para liberar cualquier presión restante en la manguera.
10. Permita que el pulverizador se seque. La mejor manera de hacerlo es quitar la tapa (1) y la cesta del colador (3) y colgar el pulverizador al revés para que se vacíe.
11. Una vez que el pulverizador se haya secado, ponga el pulverizador en posición vertical y vuelva a colocar la cesta del colador (3) y la tapa (1) para evitar que entre suciedad en el depósito.



Limpieza de la batería

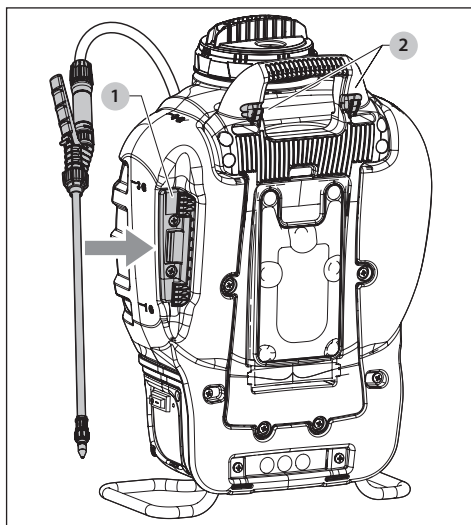
Elimine la suciedad y la grasa del exterior de la batería con un paño o un cepillo suave no metálico. No use agua ni ninguna solución de limpieza.

Instrucciones de limpieza del cargador

▲ **ADVERTENCIA:** *Riesgo de descarga. Desconecte el cargador de la toma de corriente antes de limpiarlo. La suciedad y la grasa pueden eliminarse del exterior del cargador con un paño o un cepillo suave no metálico. No use agua ni ninguna solución de limpieza.*

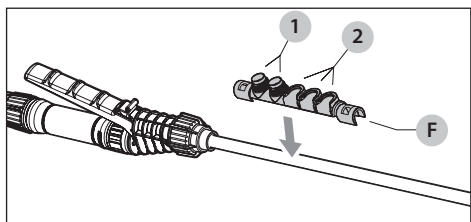
CLIP DE ALMACENAMIENTO DE LA VARILLA VERTICAL

Hay un clip de almacenamiento de la varilla vertical (1) fijado al lado del tanque al cual se puede fijar la varilla. El clip vertical de la varilla ayuda con el almacenamiento ya que reduce el espacio necesario alrededor del pulverizador. El clip de almacenamiento de la varilla horizontal (2) ubicado debajo del mango de la mochila también se puede usar.



CLIP DE ALMACENAMIENTO DE LA BOQUILLA

Se pueden deslizar o atornillar boquillas en el clip de almacenamiento de boquillas (F), el cual se fija a la varilla. Las tapas ajustables y de boquilla encajan en las porciones roscadas etiquetadas con un 1 en el dibujo. Las boquillas rectas o de abanico encajan en las ranuras etiquetadas con un 2.



ALMACENAMIENTO

Guarde el pulverizador y la batería en un lugar cálido y seco, fuera de la luz directa del sol y lejos de cualquier fuente de humedad o calor intenso. No guarde el pulverizador en donde se produzcan temperaturas de congelación (por debajo de 32 °F/0 °C). Permitir que el agua se congele dentro del pulverizador puede causar daños en la bomba, a las juntas, al cierre o a otros componentes, y anular la garantía.

TRANSPORTE

▲ **ADVERTENCIA:** *PELIGRO DE INCENDIO. No almacene, lleve o transporte la batería de manera que objetos metálicos puedan entrar en contacto con los terminales expuestos de la misma. Por ejemplo, no coloque la batería en delantales, bolsillos, cajas de herramientas, cajas de productos, cajones, etc., con clavos sueltos, tornillos, llaves, monedas, herramientas de mano, etc. Cuando transporte baterías individuales, asegúrese de que los terminales de las mismas estén protegidos y bien aislados de materiales que puedan entrar en contacto con ellos y causar un cortocircuito.*

NOTA: *Las baterías de iones de litio no deben colocarse en el equipaje facturado de los aviones y deben protegerse adecuadamente contra los cortocircuitos si están en el equipaje de mano.*

MANTENIMIENTO

▲ **ADVERTENCIA:** *Para reducir el riesgo de lesiones graves, apague la unidad y quite la batería antes de realizar cualquier ajuste o de retirar o instalar accesorios. Una puesta en marcha accidental puede causar lesiones.*

▲ **ADVERTENCIA:** *RIESGO DE LESIONES Y/O DAÑOS A LA PROPIEDAD DEBIDO A LA EXPOSICIÓN A PRODUCTOS QUÍMICOS. Asegúrese siempre de que se hayan eliminado todos los productos químicos del pulverizador y que este se haya limpiado antes de realizar cualquier mantenimiento.*

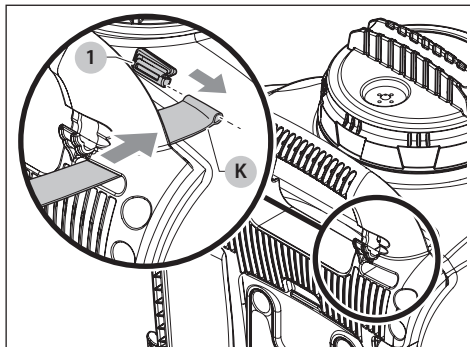
▲ **ADVERTENCIA:** *RIESGO DE LESIONES. Siempre libere la presión del pulverizador antes de realizar cualquier mantenimiento. Desmontar un pulverizador que todavía está presurizado puede provocar la expulsión a alta velocidad de los componentes. Asegúrese de que el pulverizador esté apagado y apriete la palanca de cierre hasta que se libere toda la presión.*

Reparaciones

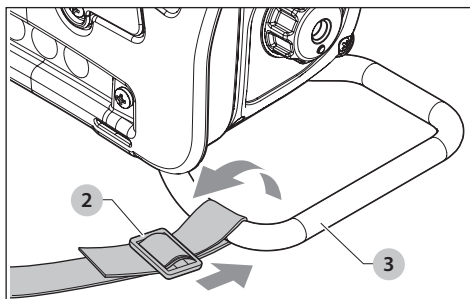
El cargador y la batería no pueden repararse. No hay piezas reparables en el interior del cargador o en la batería.

Reemplazo del arnés

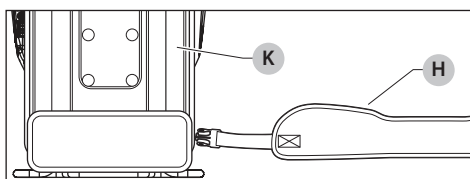
1. En cada lado del arnés (K), retire los pequeños clips de plástico (1) de los dos bucles de la correa para el hombro y pase cada bucle por las ranuras en la parte superior del asa del pulverizador.
2. Vuelva a colocar los clips (1) a través de los bucles y tire de la correa que sujeta las dos correas del arnés (K) en su lugar.



3. Para las correas inferiores, retire la correa de la parte superior de las hebillas (2) y colóquela alrededor del soporte para las patas (3), comenzando desde abajo.
4. Pase la correa por la primera sección de la hebilla (2). A continuación, pásela por la otra sección de la hebilla (2) para apretarla. Ajuste las hombreras y la longitud de las correas para un ajuste cómodo.



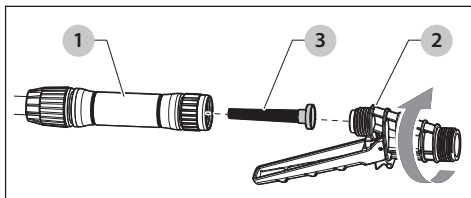
5. El cinturón del arnés (H) es desmontable. La sección del soporte lumbar del arnés (K) tiene un pasacables, a través del cual se puede armar o desarmar el cinturón al jalar - El cinturón viene armado en el arnés de fábrica; para desarmarlo solo jale del arnés; para ensamblarlo debe pasarlo por el arnés.



Mantenimiento del conjunto de cierre

⚠ ADVERTENCIA: Antes de realizar el mantenimiento, despresurice siempre el pulverizador apagándolo y apretando la palanca de cierre para pulverizar hasta que el flujo de líquido se detenga.

1. Desenrosque la manija (1) del conjunto de cierre (2).
2. Retire el filtro (3).
3. Limpie todos los restos de suciedad del interior del mango (1), del conjunto de cierre (2) o del filtro (3) enjuagándolo con agua fría y limpia.
4. Vuelva a montar los componentes como se muestra y apriete bien todas las conexiones.



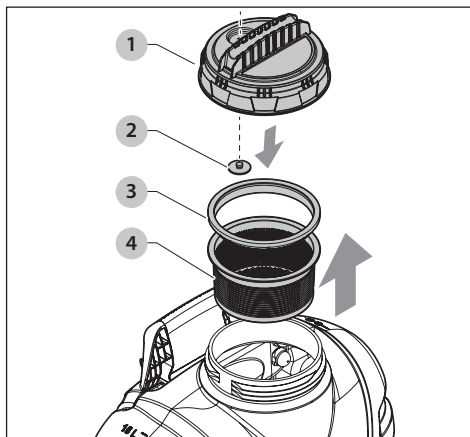
Mantenimiento de la boquilla

⚠ ADVERTENCIA: Antes de realizar el mantenimiento, despresurice siempre el pulverizador asegurándose de que esté apagado y luego presione la palanca de cierre para pulverizar hasta que el flujo de líquido se detenga.

- Si una boquilla se obstruye, retire y desmonte el conjunto de la boquilla.
- Limpie las aberturas de cualquier obstrucción o residuo.
- No utilice herramientas afiladas que puedan rayar o dañar las boquillas, ya que el patrón de pulverización podría verse afectado.
- No golpee la boquilla contra superficies para desatorarla.

Mantenimiento de la cesta del colador y de la tapa

- Revise la válvula antirretorno (2) en la tapa (1) y la junta de la cesta del colador (3) en la cesta del colador (4) para asegurarse de que no muestren signos de desgaste y funcionen correctamente.
- Reemplácelas según sea necesario.



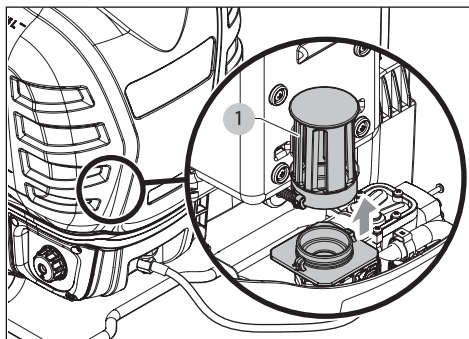
Mantenimiento del filtro del tanque

▲ PRECAUCIÓN: RIESGO DE DAÑO A LOS COMPONENTES INTERNOS. No opere el pulverizador sin el filtro del tanque instalado correctamente. Hacerlo podría permitir que entren residuos en la bomba y obstruir o dañar la bomba.

1. Asegúrese de que el pulverizador esté apagado y quite la batería según las instrucciones en *Retirar la batería*.
2. Quite la tapa y la cesta del colador. Enjuague con agua limpia para eliminar cualquier residuo.
3. Coloque la cesta del colador y la tapa sobre una superficie limpia en la que no se acumule suciedad, polvo, grasa, recortes de hierba u otros desechos.
4. Vierta el líquido del tanque en un recipiente apropiado para su uso posterior o deséchelo apropiadamente de acuerdo con las instrucciones del fabricante del producto químico.
5. Enjuague y vacíe el tanque para eliminar cualquier rastro de suciedad, restos o residuos.
6. Introduzca la mano en el tanque y agarre con cuidado el filtro del tanque (1) ubicado en el fondo de este.
7. Gire el filtro del tanque aproximadamente 1/8 de vuelta en sentido antihorario hasta que no gire más y tire para sacarlo del tanque.
8. Limpie el filtro del tanque cuidadosamente enjuagándolo de dentro hacia fuera. Asegúrese de no rasgar ni dañar la malla. Cualquier daño a la malla podría permitir que entren residuos en la bomba y obstruir o dañar la bomba.

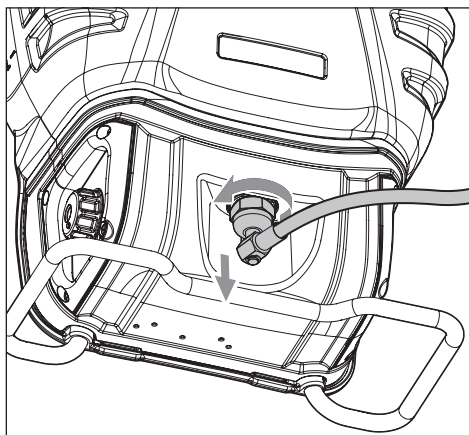
NOTA: Si el filtro del tanque está dañado o demasiado sucio para poder limpiarlo, reemplácelo por uno nuevo.

9. Para volver a instalar el filtro del tanque, colóquelo suavemente en el fondo del tanque y gírelo lentamente hasta que las pestañas de bloqueo en la base del filtro estén alineadas con las ranuras de este. El filtro del tanque caerá hacia abajo aproximadamente 1/8 de pulgada cuando esto suceda.
10. Empuje hacia abajo el filtro del tanque hasta el tope, aproximadamente otro 1/4 de pulgada; a continuación, gire el filtro del tanque 1/8 de vuelta en sentido horario hasta el tope.



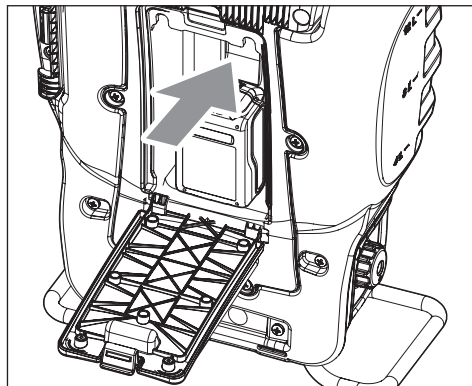
Mantenimiento del accesorio de la manguera

1. Desconecte el conjunto de cierre del cuerpo del pulverizador girándolo en sentido antihorario para extraer el agua restante de la manguera.



CÓDIGO QR

Hay un código QR en una etiqueta dentro del compartimento de la batería. Escanee el código QR para obtener información sobre el producto. Escanear el código QR redirigirá al cliente hacia la página del sitio web de la mochila de flujo variable donde puede comprar piezas de repuesto, ver el manual del usuario, acceder a varios videos y documentos, y obtener asistencia sobre el uso y resolución de problemas de la mochila.



Escanear para obtener información del producto.



producto: **190723W**
thefountainheadgroup.com

Fabricado por:

The Fountainhead Group, Inc.
23 Garden Street
New York Mills, NY 13417 U.S.A.

Fax: (315) 768-4220

Correo electrónico: Info@TheFGI.com

www.TheFountainheadGroup.com

PREGUNTAS FRECUENTES

Consulte <https://www.thefountainheadgroup.com/> para ver las preguntas frecuentes de un producto específico.

NÚMEROS DE PATENTE

Consulte <https://www.thefountainheadgroup.com/> para ver los números de patente de un producto específico.

PIEZAS DE REPUESTO

Consulte <https://www.thefountainheadgroup.com/> para ver las piezas de repuesto de un producto específico.

GARANTÍA

Consulte <https://www.thefountainheadgroup.com/> para ver la garantía de un producto específico.

GUÍA DE RESOLUCIÓN DE PROBLEMAS

ASEGÚRESE DE SEGUIR LAS INSTRUCCIONES Y LAS REGLAS DE SEGURIDAD

Para recibir asistencia con su producto, visite nuestro sitio web en www.thefountainheadgroup.com o llámenos al 1-800-311-9903.

PROBLEMA	CAUSA POSIBLE	SOLUCIÓN
El pulverizador no se enciende (no hay un zumbido audible de la bomba).	Asegúrese de que la batería esté instalada correctamente.	Instale la batería correctamente. Ver <i>Instalación de la batería</i> .
	Asegúrese de que la batería esté cargada.	Cargue la batería. Ver <i>Carga de la batería</i> .
	La batería puede estar dañada o puede haberse sobrecalentado. Inspeccione visualmente la batería en busca de daños.	Reemplace la batería si se encuentra dañada o no funciona. Si la batería se sobrecalienta, deje que se enfríe.
El pulverizador se enciende (la cabeza de la bomba emite un zumbido), pero no pulveriza.	La manguera está presurizada. La bomba se apagó automáticamente.	Apriete la palanca de cierre para ver si el pulverizador se inicia y la bomba se enciende.
	No hay líquido en el tanque.	Añada líquido al tanque. Ver <i>Llenado del pulverizador</i> .
	El filtro de cierre está obstruido.	Limpie el filtro de cierre. Consulte <i>Mantenimiento del conjunto de cierre</i> .
	La boquilla está obstruida.	Limpie la boquilla. Consulte <i>Mantenimiento de la boquilla</i> .
	El filtro del tanque está obstruido.	Limpie el filtro del tanque. Consulte <i>Mantenimiento del filtro del tanque</i> .
El pulverizador se enciende, pero sólo pulveriza a baja presión.	La bomba no está cebada.	Deje por lo menos 30 segundos para que la bomba se ceba.
	El filtro de cierre está obstruido.	Limpie el filtro de cierre. Consulte <i>Mantenimiento del conjunto de cierre</i> .
	La boquilla está obstruida.	Limpie la boquilla. Consulte <i>Mantenimiento de la boquilla</i> .
	El filtro del tanque está obstruido.	Limpie el filtro del tanque. Consulte <i>Mantenimiento del filtro del tanque</i> .
La bomba no se ceba completamente.	La bomba no está cebada.	Deje por lo menos 30 segundos para que la bomba se ceba.
	El nivel de líquido en el tanque es bajo.	Añada líquido al tanque. Ver <i>Llenado del pulverizador</i> .
	La bomba funcionó en seco (sin líquido) antes de que se rellenara el tanque.	Asegúrese de que el pulverizador esté apagado y apriete la palanca de cierre hasta que se libere toda la presión.
	Hay residuo químico o acumulación en el tanque y/o la bomba debido a una limpieza insuficiente o inadecuada.	Limpie el pulverizador. Consulte <i>Limpieza</i> . Si es necesario, repita con agua caliente y una mezcla de detergente suave. Permita que la mezcla permanezca en la bomba por hasta 1 hora antes de enjuagar. Reemplace la bomba si es necesario.
	El filtro del tanque está instalado incorrectamente, no está instalado o está dañado, lo que permite que entre suciedad en la bomba.	Limpie el pulverizador. Consulte <i>Limpieza</i> . Si es necesario, repita con agua caliente y una mezcla de detergente suave. Permita que la mezcla permanezca en la bomba por hasta 1 hora antes de enjuagar. Reemplace la bomba si es necesario.

PROBLEMA	CAUSA POSIBLE	SOLUCIÓN
La manguera tiene una fuga en la conexión al tanque.	La manguera está agrietada, hinchada o es defectuosa.	Reemplace el conjunto de cierre.
	La conexión está dañada.	Reemplace el conjunto de cierre
La manguera tiene fuga en el conjunto de cierre.	La manguera está agrietada, hinchada o es defectuosa.	Reemplace el conjunto de cierre.
	La conexión está dañada.	Reemplace el conjunto de cierre
La boquilla gotea cuando se suelta la palanca de cierre.	Hay suciedad o desechos en la palanca de cierre.	Limpe el conjunto de cierre.
	Hay una junta tórica o sello dañados en el conjunto de cierre.	Reemplace el conjunto de cierre.
La punta de la boquilla gotea.	La junta plana no está instalada.	Instale la junta plana detrás de la punta de la boquilla. Consulte <i>Ensamblaje</i> .
	La junta plana está dañada.	Reemplace la junta plana.
El patrón de pulverización es deficiente.	El control variable no está en el ajuste recomendado.	Consulte <i>Boquilla de rociado</i> .
	La boquilla está parcialmente obstruida.	Limpe la boquilla. Consulte <i>Limpieza</i> .
	La boquilla está dañada.	Reemplace la boquilla.
La unidad se apaga abruptamente.	La batería ha alcanzado su límite térmico máximo.	Deje que la batería se enfríe.
	La batería está descargada. Para maximizar la vida de la batería, está diseñada para apagarse abruptamente cuando se agota la carga.	Ponga la batería en el cargador y deje que se cargue.
La batería no se carga.	La batería no está insertada en el cargador.	Inserte la batería en el cargador hasta que el LED se ilumine.
	El cargador no está enchufado.	Enchufe el cargador en una toma de corriente que funcione.
	La temperatura ambiente es muy alta o muy baja.	Mueva la batería a un lugar con una temperatura ambiente superior a 40 °F (4.5 °C) o inferior a 104 °F (40 °C).
La batería no se cargará.	No se encienden luces en el cargador (no enchufado al tomacorriente).	Conecte el cargador al tomacorriente.
	No se encienden las luces en el cargador (enchufado al tomacorriente).	Verifique que el tomacorriente funcione.
	No se encienden las luces en el cargador (enchufado a un tomacorriente que funciona).	Reemplace el cargador.
	Se enciende la luz roja del cargador pero no la verde (el cargador no reconoce la batería).	Reemplace la batería.
	La luz roja sigue parpadeando en el cargador (temperatura de la batería demasiado alta para una carga segura).	Deje que la batería se enfríe.
	Las luces roja y verde parpadean alternativamente en el cargador (la batería no se puede cargar).	Reemplace la batería.

THIS PAGE IS INTENTIONALLY LEFT BLANK.

TABLAS DE FLUJO DE LAS BOQUILLAS

AVISO: RIESGOS DE DAÑO A LA PROPIEDAD. Siempre gire la perilla de control de flujo a un ajuste de bajo GPM (1–3) al pasar a una boquilla de bajo flujo.

AVISO: RIESGOS DE DAÑO A LA PROPIEDAD. No cumplir con las recomendaciones de la Tabla de flujo de las boquillas podría dañar la bomba y anular la garantía.

Boquillas incluidas con el producto

	Ajuste de la perilla de control variable							
	1		2		3		4	
	Flujo (gpm)	Presión (psi)	Flujo (gpm)	Presión (psi)	Flujo (gpm)	Presión (psi)	Flujo (gpm)	Presión (psi)
NOTA: La presión y el flujo pueden variar en un 10 %								
Espuma de alto volumen (Blanca)	0.18	13	0.21	18	0.23	23	0.26	28
Espuma para malas hierbas (Negra)	0.17	16	0.20	22	0.22	27	0.24	32
Abanico estrecho de bajo volumen (Amarilla)	0.18	12	0.21	17	0.24	22	0.26	27
Abanico ancho de bajo volumen (Roja)	0.18	13	0.21	18	0.23	23	0.26	28
Abanico ancho de alto volumen (Marrón)	0.21	3	0.26	4	0.30	6	0.33	7
Chorro (Naranja)	0.20	6	0.24	8	0.27	11	0.31	14
Ajustable de latón (Chorro recto)	0.20	6	0.24	8	0.27	11	0.31	14
Ajustable de latón (Cono completo)	0.14	27	0.16	35	0.17	40	0.19	50

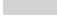



Boquillas de abanico TEEJET/UNIJET (no incluidas)

	Ajuste de la perilla de control variable							
	1		2		3		4	
	Flujo (gpm)	Presión (psi)	Flujo (gpm)	Presión (psi)	Flujo (gpm)	Presión (psi)	Flujo (gpm)	Presión (psi)
NOTA: La presión y el flujo pueden variar en un 5 %								
Abanico a 0.1 GPM (todos los ángulos de pulverizado)	0.11	43						
Abanico a 0.2 GPM (todos los ángulos de pulverizado)	0.15	22	0.18	29	0.18	29	0.20	36
Abanico a 0.3 GPM (todos los ángulos de pulverizado)	0.18	13	0.21	17	0.23	22	0.25	27
Abanico a 0.4 GPM (todos los ángulos de pulverizado)	0.19	9	0.22	12	0.25	16	0.28	20
Abanico a 0.5 GPM (todos los ángulos de pulverizado)	0.20	6	0.23	9	0.27	11	0.30	15
Abanico a 0.6 GPM (todos los ángulos de pulverizado)	0.20	4	0.24	6	0.28	9	0.32	11
Abanico a 0.8 GPM (todos los ángulos de pulverizado)	0.21	3	0.26	4	0.30	5	0.33	7
Abanico a 1.0 GPM (todos los ángulos de pulverizado)	0.22	2	0.26	3	0.31	4	0.34	5

Boquillas de vaporización (no incluidas)

	Ajuste de la perilla de control variable							
	1		2		3		4	
	Flujo (gpm)	Presión (psi)	Flujo (gpm)	Presión (psi)	Flujo (gpm)	Presión (psi)	Flujo (gpm)	Presión (psi)
NOTA: La presión y el flujo pueden variar en un 5 %								
Vaporización cónica amarilla (TXVK-3)								
Vaporización cónica verde (TXVK-4)	0.07	43					0.10	83
Vaporización cónica roja (TXVK-6)	0.11	43					0.14	74
Vaporización cónica negra (TXVK-10)	0.14	29	0.16	38			0.19	53
Vaporización cónica marrón (TXVK-12)	0.15	23	0.18	30	0.19	37	0.21	44

NOTA: Todos los valores representan rociado con agua o productos líquidos de viscosidad similar.

-  Patrón de rociado óptimo.
-  Puede no ser el patrón de rociado óptimo..
-  Configuración de destino de TeeJet
-  No recomendado; podría hacer trabajar en exceso a la bomba y dañarla si se usa con frecuencia.

Ajuste de la perilla de control variable											
5		6		7		8		9		10	
Flujo (gpm)	Presión (psi)	Flujo (gpm)	Presión (psi)	Flujo (gpm)	Presión (psi)	Flujo (gpm)	Presión (psi)	Flujo (gpm)	Presión (psi)	Flujo (gpm)	Presión (psi)
0.28	33	0.31	40	0.33	48	0.34	51	0.36	55	0.38	62
0.27	39	0.29	47	0.31	54	0.32	57	0.33	61	0.35	67
0.28	32	0.31	39	0.34	46	0.35	49	0.36	54	0.38	60
0.28	33	0.31	40	0.33	48	0.34	51	0.36	55	0.38	62
0.37	9	0.42	12	0.46	15	0.49	17	0.53	20	0.58	24
0.34	17	0.38	21	0.42	25	0.44	28	0.47	32	0.50	37
0.34	17	0.38	21	0.42	25	0.44	28	0.47	32	0.50	37
0.21	60	0.22	69	0.24	77						

Ajuste de la perilla de control variable											
5		6		7		8		9		10	
Flujo (gpm)	Presión (psi)	Flujo (gpm)	Presión (psi)	Flujo (gpm)	Presión (psi)	Flujo (gpm)	Presión (psi)	Flujo (gpm)	Presión (psi)	Flujo (gpm)	Presión (psi)
0.21	42	0.23	51	0.25	59	0.26	67				
0.28	33	0.31	39	0.33	47	0.34	50	0.36	54	0.38	61
0.31	24	0.34	29	0.37	35	0.39	39	0.41	43	0.44	49
0.33	18	0.37	22	0.41	27	0.43	30	0.45	35	0.49	40
0.35	14	0.39	17	0.43	21	0.46	24	0.49	28	0.53	33
0.37	9	0.41	11	0.46	14	0.49	16	0.53	19	0.58	24
0.38	6	0.43	8	0.48	10	0.51	12	0.55	14	0.61	18

Ajuste de la perilla de control variable											
5		6		7		8		9		10	
Flujo (gpm)	Presión (psi)	Flujo (gpm)	Presión (psi)	Flujo (gpm)	Presión (psi)	Flujo (gpm)	Presión (psi)	Flujo (gpm)	Presión (psi)	Flujo (gpm)	Presión (psi)
0.15	84										
0.20	63	0.21	72	0.22	79	0.23	82				
0.23	53	0.25	61	0.26	69	0.27	79				



**THE
FOUNTAINHEAD
GROUP**

Craftsmanship, Innovation, Commitment

www.thefountainheadgroup.com

**185777 REVISIÓN A
05/2023**