

CRAFTSMAN®

INSTRUCTION MANUAL | GUIDE D'UTILISATION | MANUAL DE INSTRUCCIONES

4 Gallon Battery Powered Backpack Sprayer
Pulvérisateur sac à dos alimenté par batterie de 15L
Rociador de mochila a baterías de 4 galones

CMXCAFG190682



IF YOU HAVE QUESTIONS OR COMMENTS, CONTACT US.
POUR TOUTE QUESTION OU TOUT COMMENTAIRE, NOUS CONTACTER.
SI TIENE DUDAS O COMENTARIOS, CONTÁCTENOS.

1-888-331-4569

WWW.CRAFTSMAN.COM

English (***original instructions***)

1

Français (*traduction de la notice d'instructions originale*)

22

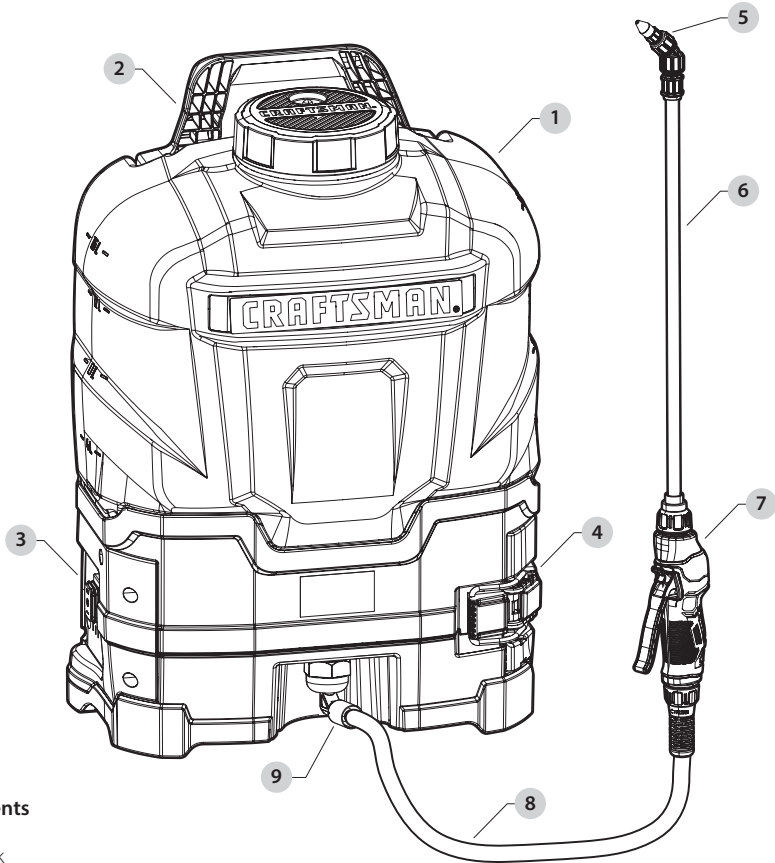
Español (*traducido de las instrucciones originales*)

40

Definitions: Safety Alert Symbols and Words

This instruction manual uses the following safety alert symbols and words to alert you to hazardous situations and your risk of personal injury or property damage.

- ⚠ DANGER:** Indicates an imminently hazardous situation which, if not avoided, will result in death or serious injury.
- ⚠ WARNING:** Indicates a potentially hazardous situation which, if not avoided, could result in death or serious injury.
- ⚠ CAUTION:** Indicates a potentially hazardous situation which, if not avoided, may result in minor or moderate injury.
- ⚠ (Used without word)** Indicates a safety related message.
- NOTICE:** Indicates a practice not related to personal injury which, if not avoided, may result in property damage.



Components

- 1 Tank
- 2 Carry Handle with Built-in Horizontal Wand Storage
- 3 High/Low Flow Control
- 4 Sealed and Water Resistant Battery Compartment
- 5 Adjustable Poly Nozzle (Fan Nozzles also included)
- 6 21" Heavy-Duty Poly Wand
- 7 Shut-off with Comfort Grip, Lock, & Filter
- 8 Heavy-Duty Kink-Resistant Hose
- 9 Swivel-Hose Connection

- ⚠ WARNING:** Read all safety warnings and all instructions. Failure to follow the warnings and instructions may result in serious injury.
- 🚫 WARNING:** To reduce the risk of injury, read the instruction manual.

IMPORTANT SAFETY INSTRUCTIONS

READ ALL INSTRUCTIONS BEFORE USING THIS SPRAYER

⚠ WARNING: *When using an electric sprayer, basic safety precautions should always be followed to reduce risk of fire, electric shock, and personal injury, including the following:*

- **Do not leave the sprayer when connected to power source.** Remove the battery pack when not in use and before servicing.
- **Do not allow sprayer to be used as a toy.** Close attention is necessary when used by or near children.
- **Use this sprayer ONLY as described in the manual.** Use only recommended attachments.
- **Do not use this sprayer if it is showing signs of malfunction in any way.** If the sprayer is not working correctly, has been dropped, damaged, left outdoors, or dropped into water, return it to a service center.
- Keep hair, loose clothing, fingers, and all body parts away from the openings and moving parts.
- Turn off all controls before disconnecting from power source.
- Use extra care when cleaning on stairs.

Additional Safety Instructions

⚠ WARNING: *Read all safety warnings and all instructions. Failure to follow the warnings and instructions may result in electric shock, fire, and/or serious injury.*

To Reduce Risk of Injury:

- **Avoid dangerous environmental conditions** – Do not use electric units in damp or wet locations. Don't use the unit in the rain.
- **Use the right unit** – Do not use this unit for any job except that for which it is intended.
- **Keep children, bystanders and animals away** from the work area a minimum of 30 feet (10 meters) when operating the unit.
- **Maintain unit with care.** Keep unit clean for best and safest performance. Follow instructions for proper maintenance.
- **Stay alert** – Watch what you are doing. Use common sense. Do not operate unit when you are tired.
- **Do not** point sprayer stream at anyone, including yourself.

- **Do not** attempt to clear clogs from unit without first removing the battery.
- **Do not** immerse any part of the unit in liquid.
- **Do not** use unit if switch does not turn it on or off. A unit that cannot be controlled with the switch is dangerous and must be repaired.
- **Do not overreach.** Keep proper footing and balance at all times.
- **Never leave sprayer running unattended.** Turn power off.
- **Store idle units.** When not in use, the unit should be stored in a dry, high or locked-up place - out of reach of children.
- **Instructions for compatible batteries and chargers are included for reference in this manual.** Read all instruction manuals included with your battery pack or charger. Read all cautionary markings on the charger and battery pack.
- **Disconnect the battery pack from the sprayer before making any adjustments, changing accessories, servicing, moving or storing the unit.** Such preventative safety measures reduce the risk of accidental spraying.




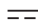





Additional Safety Information




⚠ WARNING: *ALWAYS use safety glasses. Everyday eyeglasses are NOT safety glasses. ALWAYS WEAR CERTIFIED SAFETY EQUIPMENT:*

- ANSI Z87.1 eye protection (CAN/CSA Z94.3),

⚠ CAUTION: *When not in use, place tool on its side on a stable surface where it will not cause a tripping or falling hazard. Some tools will stand upright may be easily knocked over.*

The label on your tool may include the following symbols. The symbols and their definitions are as follows:

V	volts		or AC.. alternating current
Hz	hertz		or AC/DC... alternating or direct current
min	minutes	Class II Construction (double insulated)
	or DC	n ₀	no load speed
	... Class I Construction	n	rated speed (grounded)
.../min	per minute	 earthing terminal
BPM	beats per minute	 safety alert symbol
IPM	impacts per minute	 visible radiation
RPM	revolutions per minute	 wear respiratory protection

sfpm	surface feet per minute	 wear eye protection
SPM	strokes per minute	 wear hearing protection
A	amperes	 read all documentation
W	watts		

IMPORTANT SAFETY INSTRUCTIONS

⚠ DANGER: RISK OF DEATH, SEVERE PERSONAL INJURY AND/OR PROPERTY DAMAGE FROM IMPROPER CHEMICAL USE OR MIXTURE.

- Never use flammable or combustible chemicals in this sprayer. Spraying flammable or combustible chemicals can create combustible fumes that could be ignited, causing an explosion.
- Use only chemicals indicated for spraying applications. Some chemicals may create a toxic or other hazardous atmosphere when sprayed.
- Always refer to chemical manufacturer's instructions and/or the chemical Safety Data Sheet (SDS) for proper mixture and safe application.

⚠ WARNING: RISK OF PERSONAL INJURY AND/OR PROPERTY DAMAGE DUE TO CHEMICAL EXPOSURE.

- Read and understand the entire instruction manual before using this sprayer.
- Follow all instructions and precautions in the instruction manual when using this sprayer.
- Read and follow all instructions and precautions on chemical manufacturer's label of chemicals used in this sprayer.
- Use the appropriate Personal Protective Equipment (PPE) as recommended by the chemical manufacturer and/or refer to the chemical Safety Data Sheet (SDS) of the chemical being used. This includes at least goggles, gloves, and protective clothing. Failure to use appropriate PPE could result in chemical exposure through skin contact, eye contact, inhalation, or other means.
- After initial assembly, extended storage, or any possibly damaging event, such as a fall, always inspect the sprayer for damage, and test it with plain water to check for proper function. Ensure all connections are secure and leak free, and the hose is free from damage, prior to using the sprayer with chemical.
- Always inspect the hose and all connections before each use. A damaged hose or loose connections could result in an uncontrolled high pressure discharge of chemical.
- Do not spray near open flame, hot surfaces, or anything that could vaporize the spray. Doing so could create a dangerous chemical atmosphere.
- Never use caustics, bleach, acids, hot water, or pressure producing chemicals in this sprayer.

- Keep the sprayer and all chemicals out of the reach of children and pets.
- Only spray when the air is calm (no wind or air movement) to prevent chemical spray from drifting onto non-targeted surfaces.
- Always release pressure when sprayer is not in use and before performing maintenance.
- Never store chemicals in the sprayer.
- Store or dispose of any unused chemicals as instructed by the chemical manufacturer due to the potential for environmental damage from a spill or leak, and/or refer to the disposal criteria referenced in the Safety Data Sheet (SDS).
- Clean and rinse the sprayer after each use to avoid unintended chemical exposure and prevent contamination of subsequent applications.
- Store the sprayer in a warm, dry, dust-free location out of direct sunlight.

⚠ WARNING: RISK OF PERSONAL INJURY AND/OR PROPERTY DAMAGE DUE TO RUPTURE AND/OR UNCONTROLLED HIGH PRESSURE DISCHARGE OF LIQUID CHEMICAL.

- Never modify or alter the sprayer from original condition. Never heat or alter the hose, hose nut, or barb. Doing so could weaken the components and/or connections.
- Use only replacement parts from original manufacturer. Other replacement parts are not compatible with this sprayer.
- Never pressurize the sprayer with any device other than the pump supplied by the original manufacturer. Use of an air compressor or other non-standard device to pressurize the tank could exceed the safe working pressure of the sprayer.
- Do not lift, carry, or pull the sprayer by the hose, shut-off valve, or wand extension. Doing so could weaken the components and/or connections. Carry by the handle or harness only, making sure the connections are properly secured before lifting.
- To reduce the risk of electrical shock, do not put the sprayer in water or other liquid. Do not place or store the sprayer where it can fall or be pulled into a tub or sink.

SAVE THESE INSTRUCTIONS

Additional Safety Information

- ⚠ **WARNING:** Never modify the sprayer or any part of it. Damage or personal injury could result.

BATTERIES AND CHARGERS

The battery pack is not fully charged out of the carton. Before using the battery pack and charger, read the safety instructions below and then follow charging

ENGLISH

procedures outlined. When ordering replacement battery packs, be sure to include the catalog number and voltage.

Your tool uses a CRAFTSMAN charger. Be sure to read all safety instructions before using your charger. Consult the chart at the end of this manual for compatibility of chargers and battery packs.

Important Safety Instructions for All Battery Packs

⚠ WARNING: Read all safety warnings and all instructions for the battery pack, charger and power tool. Failure to follow the warnings and instructions may result in electric shock, fire and/or serious injury.

- **Do not charge or use the battery pack in explosive atmospheres, such as in the presence of flammable liquids, gases or dust.** Inserting or removing the battery pack from the charger may ignite the dust or fumes.
- **NEVER force the battery pack into the charger. DO NOT modify the battery pack in any way to fit into a non-compatible charger as battery pack may rupture causing serious personal injury.** Consult the chart at the end of this manual for compatibility of batteries and chargers.
- Charge the battery packs only in designated CRAFTSMAN chargers.
- **DO NOT** splash or immerse in water or other liquids.
- **Do not store or use the tool and battery pack in locations where the temperature may reach or exceed 104 °F (40 °C) (such as outside sheds or metal buildings in summer).** For best life store battery packs in a cool, dry location.

NOTE: Do not store the battery packs in a tool with the trigger switch locked on. Never tape the trigger switch in the ON position.

- **Do not incinerate the battery pack even if it is severely damaged or is completely worn out.** The battery pack can explode in a fire. Toxic fumes and materials are created when lithium-ion battery packs are burned.
- **Do not expose battery pack or tool/appliance to fire or excessive temperature.** Exposure to fire or temperature above 265°F (130°C) may cause explosion.
- **If battery contents come into contact with the skin, immediately wash area with mild soap and water.** If battery liquid gets into the eye, rinse water over the open eye for 15 minutes or until irritation ceases. If medical attention is needed, the battery electrolyte is composed of a mixture of liquid organic carbonates and lithium salts.

- **Contents of opened battery cells may cause respiratory irritation.** Provide fresh air. If symptoms persist, seek medical attention.

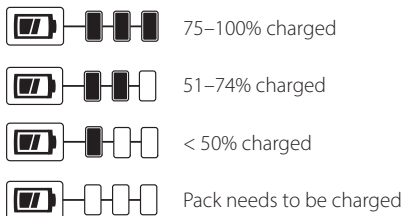
⚠ WARNING: Burn hazard. Battery liquid may be flammable if exposed to spark or flame.

⚠ WARNING: Fire hazard. Never attempt to open the battery pack for any reason. If the battery pack case is cracked or damaged, do not insert into the charger. Do not crush, drop or damage the battery pack. Do not use a battery pack or charger that has received a sharp blow, been dropped, run over or damaged in any way (e.g., pierced with a nail, hit with a hammer, stepped on). Damaged battery packs should be returned to the service center for recycling.

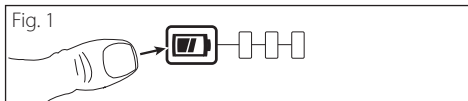
Fuel Gauge Battery Packs

Some CRAFTSMAN battery packs include a fuel gauge which consists of three LED lights that indicate the level of charge remaining in the battery pack.

The fuel gauge is an indication of approximate levels of charge remaining in the battery pack according to the following indicators:



To actuate the fuel gauge, press and hold the fuel gauge button. A combination of the three LED lights will illuminate designating the level of charge left. When the level of charge in the battery is below the usable limit, the fuel gauge will not illuminate and the battery will need to be recharged.



NOTE: The fuel gauge is only an indication of the charge left on the battery pack. It does not indicate tool functionality and is subject to variation based on product components, temperature and end-user application.

For more information regarding fuel gauge battery packs please contact CRAFTSMAN, call 1-888-331-4569 or visit our website www.craftsman.com.

The RBRC® Seal

The RBRC® (Rechargeable Battery Recycling Corporation) Seal on the nickel cadmium, nickel metal hydride or lithium-ion batteries (or battery packs) indicates that



the costs to recycle these batteries (or battery packs) at the end of their useful life have already been paid by CRAFTSMAN. In some areas, it is illegal to place spent nickel cadmium, nickel metal hydride or lithium-ion batteries in the trash or municipal solid waste stream and the Call 2 Recycle® program provides an environmentally conscious alternative.

Call 2 Recycle, Inc., in cooperation with CRAFTSMAN and other battery users, has established the program in the United States and Canada to facilitate the collection of spent nickel cadmium, nickel metal hydride or lithium-ion batteries. Help protect our environment and conserve natural resources by returning the spent nickel cadmium, nickel metal hydride or lithium-ion batteries to an authorized CRAFTSMAN service center or to your local retailer for recycling. You may also contact your local recycling center for information on where to drop off the spent battery. RBRC® is a registered trademark of Call 2 Recycle, Inc.

Transportation

⚠ WARNING: *Fire hazard. Do not store or carry the battery pack so that metal objects can contact exposed battery terminals. For example, do not place the battery pack in aprons, pockets, tool boxes, product kit boxes, drawers, etc., with loose nails, screws, keys, etc. Transporting batteries can possibly cause fires if the battery terminals inadvertently come in contact with conductive materials such as keys, coins, hand tools and the like. The US Department of Transportation Hazardous Material Regulations (HMR) actually prohibit transporting batteries in commerce or on airplanes in carry-on baggage UNLESS they are properly protected from short circuits. So when transporting individual battery packs, make sure that the battery terminals are protected and well insulated from materials that could contact them and cause a short circuit. NOTE: LI-ION batteries should not be put in checked baggage.*

Important Safety Instructions for All Battery Packs

⚠ WARNING: *Read all safety warnings and all instructions for the battery pack, charger and power tool. Failure to follow the warnings and instructions may result in electric shock, fire or serious injury.*

- **DO NOT attempt to charge the battery pack with any chargers other than the ones in this manual.** The charger and battery pack are specifically designed to work together.
- **These chargers are not intended for any uses other than charging CRAFTSMAN rechargeable batteries.** Any other uses may result in risk of fire, electric shock or electrocution.

- **Do not expose the charger to rain or snow.**
- **Pull by the plug rather than the cord when disconnecting the charger.** This will reduce the risk of damage to the electric plug and cord.
- **Make sure that the cord is located so that it will not be stepped on, tripped over or otherwise subjected to damage or stress.**
- **Do not use an extension cord unless it is absolutely necessary.** Use of improper extension cord could result in risk of fire, electric shock or electrocution.
- **When operating a charger outdoors, always provide a dry location and use an extension cord suitable for outdoor use.** Use of a cord suitable for outdoor use reduces the risk of electric shock.
- **An extension cord must have adequate wire size (AWG or American Wire Gauge) for safety.** The smaller the gauge number of the wire, the greater the capacity of the cable, that is, 16 gauge has more capacity than 18 gauge. An undersized cord will cause a drop in line voltage resulting in loss of power and overheating. When using more than one extension to make up the total length, be sure each individual extension contains at least the minimum wire size. The following table shows the correct size to use depending on cord length and nameplate ampere rating. If in doubt, use the next heavier gauge. The lower the gauge number, the heavier the cord.

Minimum Gauge for Cord Sets

Volts		Total Length of Cord in Feet (meters)			
120 V	25	50	100	150	
	(7.6)	(15.2)	(30.5)	(45.7)	
240 V	50	100	200	300	
	(15.2)	(30.5)	(61.0)	(91.4)	
Ampere Rating		American Wire Gauge			
More Than	Not More Than				
0	6	18	16	16	14
6	10	18	16	14	12
10	12	16	16	14	12
12	16	14	12	Not Recommended	

- **Do not place any object on top of the charger or place the charger on a soft surface that might block the ventilation slots and result in excessive internal heat.** Place the charger in a position away from any heat source. The charger is

ENGLISH

ventilated through slots in the top and the bottom of the housing.

- **Do not operate the charger with a damaged cord or plug.**
- **Do not operate the charger if it has received a sharp blow, been dropped or otherwise damaged in any way.** Take it to an authorized service center.
- **Do not disassemble the charger; take it to an authorized service center when service or repair is required.** Incorrect reassembly may result in a risk of electric shock, electrocution or fire.
- **Disconnect the charger from the outlet before attempting any cleaning.** This will reduce the risk of electric shock. Removing the battery pack will not reduce this risk.
- **NEVER** attempt to connect two chargers together.
- **The charger is designed to operate on standard 120V household electrical power. Do not attempt to use it on any other voltage.** This does not apply to the vehicular charger.

⚠ WARNING: Shock hazard. Do not allow any liquid to get inside the charger. Electric shock may result.

⚠ WARNING: Burn hazard. Do not submerge the battery pack in any liquid or allow any liquid to enter the battery pack. Never attempt to open the battery pack for any reason. If the plastic housing of the battery pack breaks or cracks, return to a service center for recycling.

⚠ CAUTION: Burn hazard. To reduce the risk of injury, charge only CRAFTSMAN rechargeable battery packs. Other types of batteries may overheat and bust resulting in personal injury and property damage.

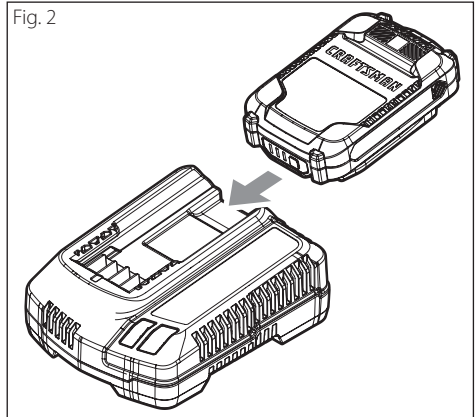
NOTICE: Under certain conditions, with the charger plugged into the power supply, the charger can be shorted by foreign material. Foreign materials of a conductive nature, such as, but not limited to, grinding dust, metal chips, steel wool, aluminum foil or any buildup of metallic particles should be kept away from the charger cavities. Always unplug the charger from the power supply when there is no battery pack in the cavity. Unplug the charger before attempting to clean.

Charging a Battery

1. Plug the charger into an appropriate outlet before inserting battery pack.
2. Insert the battery pack into the charger, making sure the battery pack is fully seated in the charger. The green (charging) light will blink continuously indicating that the charging process has started.
3. The completion of charge will be indicated by the green light remaining ON continuously. The battery pack is fully charged and may be used at this time or left in the charger. To remove the

battery pack from the charger, push the battery release button on the battery pack and then slide the battery pack out of the charger.

Fig. 2



NOTE: To ensure maximum performance and life of lithium-ion battery packs, charge the battery pack fully before first use.

Charger Operation

Refer to the indicators below for the charge status of the battery pack.



The green light will continue to blink, but a red indicator light will be illuminated during this operation. Once the battery pack has reached an appropriate temperature, the red light will turn off and the charger will resume the charging procedure.

The compatible charger(s) will not charge a faulty battery pack. The charger will indicate faulty battery pack by refusing to light.

NOTE: This could also mean a problem with a charger. If the charger indicates a problem, take the charger and battery pack to be tested at an authorized service center.

Hot/Cold Pack Delay

When the charger detects a battery pack that is too hot or too cold, it automatically starts a Hot/Cold Pack Delay, suspending charging until the battery pack has reached an appropriate temperature. The charger then automatically switches to the pack charging mode. This feature ensures maximum battery pack life.

A cold battery pack may charge at a slower rate than a warm battery pack.

Electronic Protection System

Li-Ion tools are designed with an Electronic Protection System that will protect the battery pack against overloading, overheating or deep discharge.

The tool will automatically turn off if the Electronic Protection System engages. If this occurs, place the lithium-ion battery pack on the charger until it is fully charged.

Wall Mounting

These chargers are designed to be wall mountable or to sit upright on a table or work surface. If wall mounting, locate the charger within reach of an electrical outlet, and away from a corner or other obstructions which may impede air flow. Use the back of the charger as a template for the location of the mounting screws on the wall. Mount the charger securely using drywall screws (purchased separately) at least 1" (25.4 mm) long, with a screw head diameter of 0.28–0.35" (7–9 mm), screwed into wood to an optimal depth leaving approximately 7/32" (5.5 mm) of the screw exposed. Align the slots on the back of the charger with the exposed screws and fully engage them in the slots.

VersaTrack™

CRAFTSMAN chargers can be mounted to the wall using CRAFTSMAN VersaTrack Trackwall. Hooks and accessories are sold separately. Please refer to the VersaTrack Trackwall accessory sheet for further information.

Charger Cleaning Instructions

⚠ WARNING: *Shock hazard. Disconnect the charger from the AC outlet before cleaning. Dirt and grease may be removed from the exterior of the charger using a cloth or soft non-metallic brush. Do not use water or any cleaning solutions.*

Important Charging Notes

1. Longest life and best performance can be obtained if the battery pack is charged when the air temperature is between 65 °F and 75 °F (18 ° – 24 °C). DO NOT charge the battery pack below +40 °F (+4.5 °C), or above +104 °F (+40 °C). This is important and will prevent serious damage to the battery pack.
2. The charger and battery pack may become warm to the touch while charging. This is a normal condition, and does not indicate a problem. To facilitate the cooling of the battery pack after use, avoid placing the charger or battery pack in a warm environment such as in a metal shed or an uninsulated trailer.

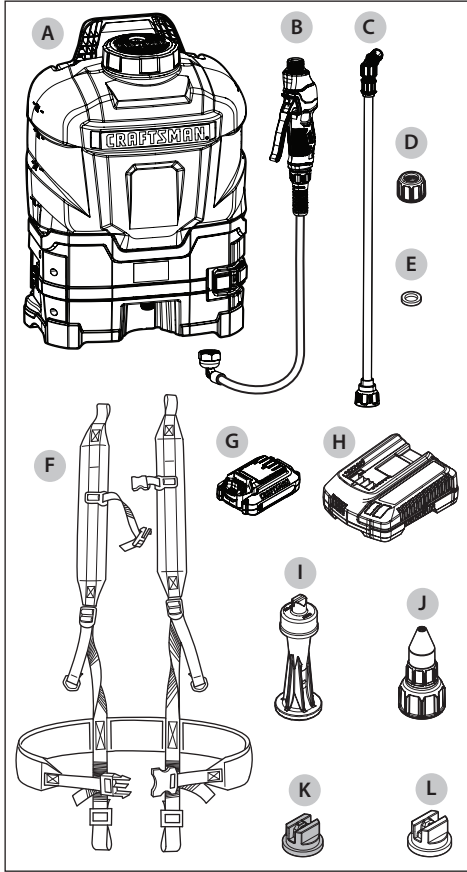
3. If the battery pack does not charge properly:
 - a. Check operation of receptacle by plugging in a lamp or other appliance.
 - b. Check to see if receptacle is connected to a light switch which turns power off when you turn out the lights.
 - c. Move the charger and battery pack to a location where the surrounding air temperature is approximately 65 °F – 75 °F (18 ° – 24 °C).
 - d. If charging problems persist, take the tool, battery pack and charger to your local service center.
5. The battery pack should be recharged when it fails to produce sufficient power on jobs which were easily done previously. DO NOT CONTINUE to use under these conditions. Follow the charging procedure. You may also charge a partially used pack whenever you desire with no adverse effect on the battery pack.
6. Foreign materials of a conductive nature such as, but not limited to, grinding dust, metal chips, steel wool, aluminum foil, or any buildup of metallic particles should be kept away from charger cavities. Always unplug the charger from the power supply when there is no battery pack in the cavity. Unplug the charger before attempting to clean.
7. Do not freeze or immerse the charger in water or any other liquid.

Storage Recommendations

1. The best storage place is one that is cool and dry, away from direct sunlight and excess heat or cold.
2. For long storage, it is recommended to store a fully charged battery pack in a cool dry place out of the charger for optimal results.

NOTE: *Battery packs should not be stored completely depleted of charge. The battery pack will need to be recharged before use.*

Package Contents



- | | |
|------------------------------------|---|
| A Sprayer | B Shut-off Assembly |
| C Wand | D Cap Nut |
| E Flat Seal | F Harness |
| G Battery | H Battery Charger |
| I Foaming Nozzle (Black) | J Poly Adjustable Cone Nozzle |
| K Low-Volume Wide Fan Nozzle (Red) | L Low-Volume Narrow Fan Nozzle (Yellow) |

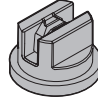
Nozzle Functionality and Uses

Foaming Nozzle (Black)



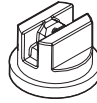
- Visibly marks treated weeds when used with weed killer or added surfactant.
- Spot spraying weeds in lawn, or around flower beds, trees, and shrubs.
- Edging along fences, driveways, and walkways.

Low-Volume Wide Fan Nozzle (Red)



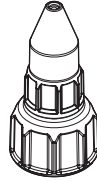
- Replacing lawns. Kills lawn and weeds before planting a new lawn.
- Preparing large areas for planting of ornamental and vegetable gardens.

Low-Volume Narrow Fan Nozzle (Yellow)



- Precision spraying in confined areas such as gardens and flower beds.

Poly Adjustable Cone Nozzle



- Spot spraying in flower beds, walkways, driveways, and patios, around trees and shrubs.
- Edging along fences, driveways, and walkways.
- Killing brush such as poison ivy, poison oak, kudzu, and wild blackberry.

ASSEMBLY

⚠ WARNING: RISK OF PERSONAL INJURY AND/OR PROPERTY DAMAGE DUE TO CHEMICAL EXPOSURE. After initial assembly, always inspect the sprayer for damage, and test it with plain water to check for proper function. Ensure all connections are secure and leak free, and the hose is free from damage, prior to using the sprayer with chemicals.

⚠ WARNING: Only use attachments recommended or sold by the manufacturer.

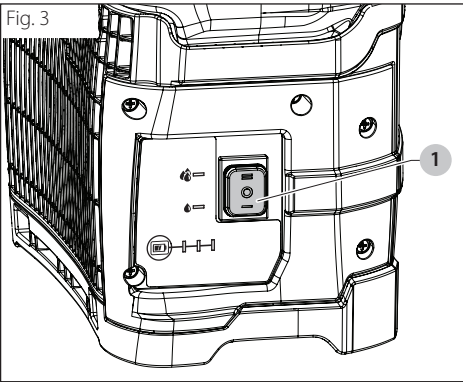
High/Low Flow Control

Flow can be controlled by switching between the high and low settings on the rocker-style switch (1).

The high setting uses nominal battery voltage to power the electric diaphragm pump within the sprayer.

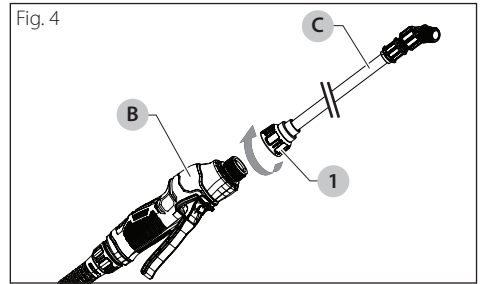
In instances where a lower pressure or flow is desired, the unit can be switched to the low setting, which will reduce the voltage being supplied to the pump. This low voltage is constant and is more ideal for precision spraying when low drift or chemical use is needed, as the spray pattern and flow rate will remain the same for the entire application.

See “Nozzle Flow Chart” on page 18.



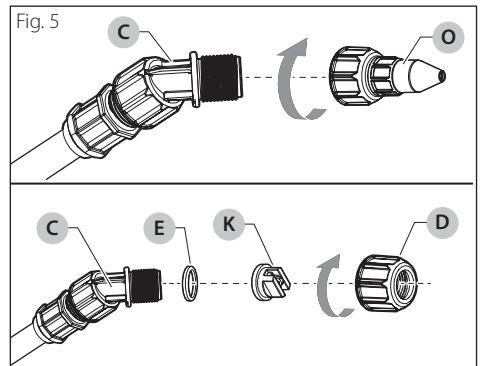
Assembling the Sprayer

1. Install the wand (C) onto the shut-off assembly (B) and tighten the nut (1) on the wand (C) to secure together.



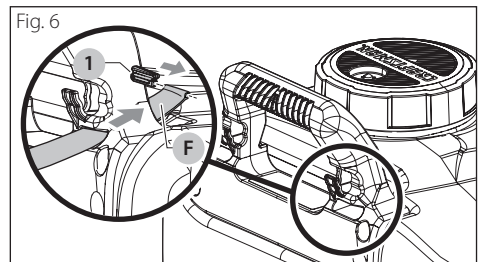
Attaching a Nozzle

Attach your selected nozzle (H – K) onto the end of the wand (C) using a flat seal (E) if required, and tighten securely using the cap nut (D).



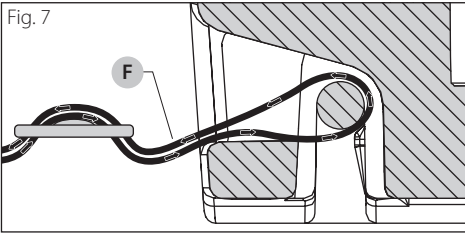
Harness Installation

1. For each side of the harness (F), remove the small plastic clips (1) from the two shoulder strap loops and thread each loop through the slots at the top of the sprayer handle.
2. Replace the clips (1) through the loops and pull the strap securing the two harness (F) straps in place.

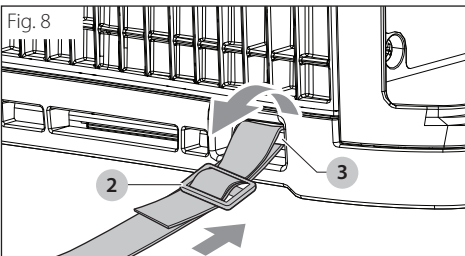


ENGLISH

3. Insert the strap into the “back” cutout of the lower base below the steel harness rod. Pull excess length through to allow for step 2.
 4. Loop excess strap below and back through the “bottom” cutout. Be sure that the strap loops around below the harness rod.
 5. As the strap is pushed, it will follow the curved surface of the plastic lower base, and come back outward from the “back” cutout.
 6. Pull excess material through to loop back through first section of buckle.
- NOTE:** If the strap comes right out of the lower base when pulling through the buckle (or prior), this shows that the strap was not properly looped around the harness rod, and steps 3-6 will need to be repeated.
7. Loop through second portion of buckle above lower strap section, and adjust accordingly.
 8. Harness in assembled position as shown in Fig 7.



9. Loop the strap through the first section of the buckle (2). Then loop the strap through the other section of the buckle (2) to tighten. Adjust the shoulder pads and strap lengths for a comfortable fit.



OPERATION

⚠ WARNING: RISK OF PERSONAL INJURY DUE TO CHEMICAL EXPOSURE. Use the appropriate Personal Protective Equipment (PPE) as recommended by the chemical manufacturer and/or refer to the chemical Safety Data Sheet (SDS) of the chemical being used. This includes at least goggles, gloves, and protective clothing.

⚠ WARNING: To reduce the risk of serious personal injury, turn unit OFF and remove the battery pack before making any adjustments or removing / installing attachments or accessories. An accidental start-up can cause injury.

NOTICE: The battery pack is not fully charged out of the carton. Before using the battery pack and charger, read the safety instructions below and then follow the charging procedures outlined.

Filling the Sprayer

⚠ DANGER: RISK OF DEATH, SEVERE PERSONAL INJURY, AND/OR PROPERTY DAMAGE FROM IMPROPER CHEMICAL USE OR MIXTURE.

- Never use flammable or combustible chemicals in this sprayer. Spraying flammable or combustible chemicals can create combustible fumes that could be ignited, causing an explosion.
- Use only chemicals indicated for spraying applications. Some chemicals may create a toxic or other hazardous atmosphere when sprayed.
- Always refer to chemical manufacturer's instructions and/or the chemical Safety Data Sheet (SDS) for proper mixture and safe application.

⚠ WARNING: Inspect the sprayer, hose, shut-off, wand, and all connections for damage before each use. A damaged or loose hose connection can result in unintended exposure to the pressurized chemicals, resulting in serious injury or property damage.

Before you Begin

Test the sprayer with plain water before use with chemicals, prior to initial use, and after prolonged storage.

Place the sprayer on a stable surface and ensure it is OFF.

Remove the battery from the battery compartment. See “Removing the Battery” on page 14.

Filling Procedure

1. Unscrew the cap (1) and place it on a clean surface where it will not collect dirt, dust, grass clippings, or other debris.
2. Remove the filter basket (2) and remove any debris. Place the filter basket (2) on a clean surface where it will not collect dirt, dust, grass clippings, or other debris.
3. Inspect the tank interior for debris, and clean as needed.
4. Check to make sure the in-tank filter (3) is in place, the mesh is intact, and it is not clogged with debris. See "In-Tank Filter Maintenance" on page 17.
5. Ensure the shut-off assembly is connected to the tank. Otherwise, liquid will pour out of the open connection.
6. Follow the chemical manufacturer's instructions for preparing the chemical. Fill the sprayer by pouring liquid into the top opening and through the filter basket, to the desired volume, according to the volume graduation markings on the side of the tank.
7. Clean up any spilled, splashed, or overflowed liquid on the sprayer.
8. Insert the battery according to the instructions in *Installing the Battery*.

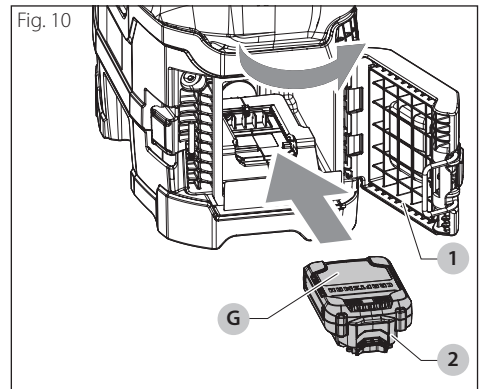
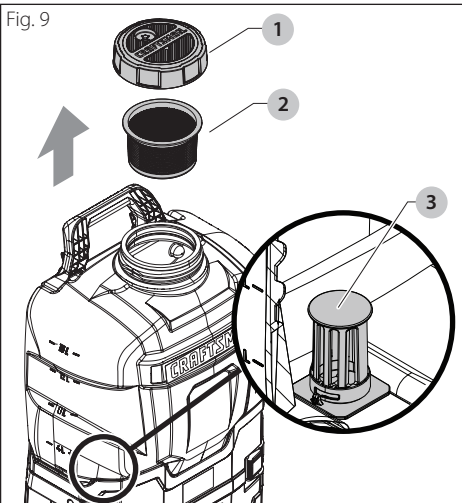
Installing the Battery

⚠ WARNING: RISK OF FIRE, BURNS, OR ELECTRICAL SHOCK. To reduce risk of battery fire or bursts, use only CMCB202, CMCB204, CMCB206, CMCB209 batteries that are in good condition. Do not use batteries that are wet or have been damaged.

⚠ WARNING: Prevent unintentional spraying. Ensure the switch is in the OFF position before connecting the battery pack, picking up, or carrying the sprayer. Carrying the sprayer with your finger on the switch or energizing the sprayer which has the switch on invites accidents.

⚠ CAUTION: RISK OF UNINTENDED SPRAYING. Ensure the sprayer is OFF and that the shut-off lever is released before inserting the battery. The sprayer will spray when the battery is inserted if the sprayer is ON and the shut-off lever depressed.

1. Ensure the sprayer is on a stable surface and turned OFF.
2. Open the battery compartment by releasing the metallic latch attached to the side door, and swing the door open sideways.
3. Align the battery (G) with the rails inside the battery compartment and slide it into the compartment until the battery (G) is firmly seated. Ensure it does not disengage.
4. Close the door and ensure that the metallic door latch (1) is engaged.



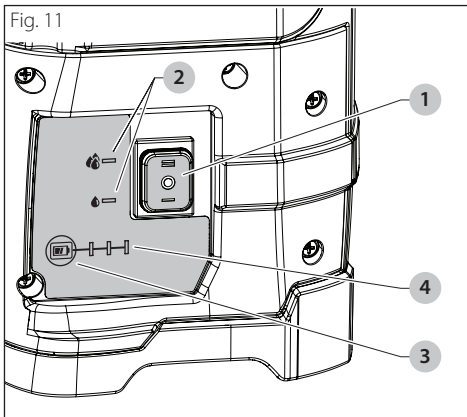
Removing the Battery

1. Ensure the sprayer is on a stable surface and turned OFF.
2. Open the battery compartment by releasing the metallic latch attached to the side door, and swing the door open sideways.
3. Press the battery release button (2) and remove the battery from the compartment.
4. Close the door and ensure that the metallic door latch (1) is engaged.

Battery Life Indicator

1. When the battery is installed, you can check the battery life. This feature is active whether the device is turned ON or OFF. A red indicator light will illuminate to the left of the rocker switch for the corresponding High/Low setting when it is ON.
2. The power interface has a rocker-style switch (1), power ON indicator lights (2), a battery indicator push button (3), and indicator lights (4) as shown in Fig 11.
3. Press and hold the battery indicator button (3) to illuminate indicator lights (4).
4. Battery indicator lights:
 - a. Three white lights indicate: 100%–75%.
 - b. Two white lights indicate: 74%–51%.
 - c. One white light indicates: 50%–25%.
 - d. One yellow light indicates: <25%.

NOTE: The LED on the battery may still show a remaining charge even though the sprayer does not operate.

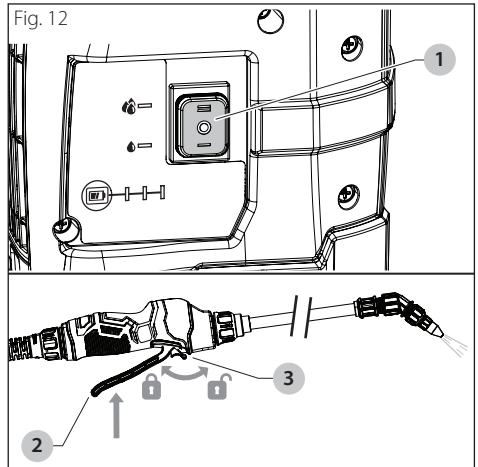


Spraying

⚠ WARNING: RISK OF PERSONAL INJURY AND/OR PROPERTY DAMAGE DUE TO UNINTENDED SPRAYING OF CHEMICALS. Ensure the shut-off lever is released before powering ON the sprayer. Once powered ON, the pump will pressurize the system and spray if shut-off lever is depressed.

NOTICE: RISK OF PROPERTY DAMAGE. Only spray when the air is calm (no wind or air movement) to prevent chemical spray from drifting onto non-targeted surfaces.

1. Switch the Power button (1) to ON position to turn the sprayer ON. If the sprayer has not been used recently, you may hear a low, audible sound. This indicates the pump has turned on and is building pressure in the system.
- NOTE:** If the sprayer was used recently, and still has pressure in the system, the pump may not turn on until the shut-off lever (2) is squeezed.
2. Aim the wand in the desired direction of spraying and squeeze the shut-off lever (2).



3. For continuous spraying, squeeze the shut-off lever (2) and rotate the lock (3) clockwise to hold the shut-off lever (2) in the depressed position.
4. Unlock by rotating counterclockwise, if needed, and release the shut-off lever (2) to stop spraying.
5. To turn off the sprayer, switch the power button to the OFF position (1).
6. Always remove any chemicals, and clean the sprayer when finished. See the *Cleaning and Storage* sections of this manual.

CLEANING

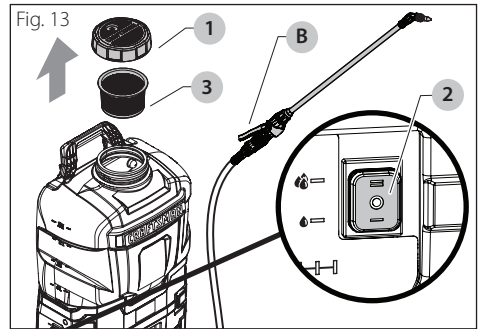
⚠ WARNING: Always release pressure from the sprayer prior to cleaning. Disassembly of a sprayer that is still pressurized may result in the high-speed ejection of components.

⚠ WARNING: RISK OF PERSONAL INJURY DUE TO CHEMICAL EXPOSURE. Use the appropriate Personal Protective Equipment (PPE) as recommended by the chemical manufacturer and/or refer to the chemical Safety Data Sheet (SDS) of the chemical being used. This includes at least goggles, gloves, and protective clothing.

⚠ WARNING: RISK OF DAMAGE TO INTERNAL COMPONENTS. Failure to properly rinse out the sprayer may allow chemical residue build-up that can clog or damage the filters, pump, shut-off, wand, and nozzle. Chemical residue build-up can also contaminate subsequent applications. Leaving chemical liquids in the sprayer when not in use can lead to premature sprayer wear. Never store the sprayer with chemicals in any part of the sprayer.

1. Ensure the sprayer is OFF and remove the battery according to the *Removing the Battery* section.
2. Remove the cap (1) and empty any extra chemical from the tank into a suitable container for later use or dispose according to the chemical manufacturer's instructions.
3. Use clean water to thoroughly rinse and empty the tank until all chemicals and residues are removed.
4. Add approximately 1 quart (1 liter) of clean water to the tank.
5. Insert the battery according to the *Installing the Battery* instructions and switch the Power button to ON position (2) to turn the sprayer ON.
6. Flush water through the pump, hose, shut-off, wand, and nozzle for at least 30 seconds to rinse them out. Failure to rinse out these components may allow chemical residue build-up that can clog or damage the components. After heavy use, rinsing the nozzles may not be enough to remove residue. The nozzles may need to be soaked or cleaned with a small brush.
7. Empty out any remaining water from the tank then continue to spray until water no longer comes out of the nozzle. This indicates that most of the water in the system has been removed.
8. Switch the Power button (2) to OFF position to turn the sprayer OFF and then remove the battery.
9. Squeeze the shut-off lever (B) to release any remaining pressure in the hose.

10. Allow the sprayer to dry. This is best done by removing the cap (1) and filter basket (3) and hanging the sprayer upside down to let it drain.
11. Once the sprayer is dried, turn the sprayer upright and reinstall the filter basket (3) and cap (1) to prevent debris from entering the tank.



Battery Pack Cleaning

Remove dirt and grease from the exterior of the battery using a cloth or soft non-metallic brush. Do not use water or any cleaning solutions.

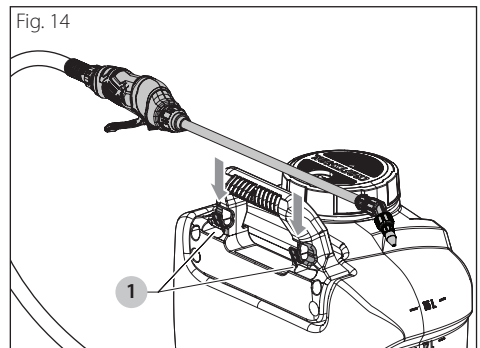
⚠ WARNING: Burn hazard. Do not submerge the battery pack in any liquid or allow any liquid to enter the battery pack. Never attempt to open the battery pack for any reason. If the plastic housing of the battery pack breaks or cracks, return to a service center for recycling.

Charger Cleaning Instructions

⚠ WARNING: Shock hazard. Disconnect the charger from the AC outlet before cleaning. Dirt and grease may be removed from the exterior of the charger using a cloth or soft non-metallic brush. Do not use water or any cleaning solutions.

HORIZONTAL WAND STORAGE

There are horizontal wand storage clips (1) located below the backpack handle.



STORAGE

Store the sprayer and battery indoors in a warm, dry location out of direct sunlight and away from any sources of moisture or intense heat. Do not store the sprayer where freezing temperatures (below 32° F / 0° C) will occur. Allowing water to freeze inside the sprayer may cause damage to the pump, seals, shut-off, or other components, and void the sprayer warranty.

TRANSPORTATION

⚠ WARNING: FIRE HAZARD. Do not store, carry, or transport the battery pack so that metal objects can contact exposed battery terminals. For example, do not place the battery pack in aprons, pockets, tool boxes, product kit boxes, drawers, etc., with loose nails, screws, keys, coins, hand tools, etc. When transporting individual battery packs, make sure that the battery terminals are protected and well insulated from materials that could contact them and cause a short circuit.

NOTE: Li-ion battery packs should not be put in checked baggage on airplanes and must be properly protected from short circuits if they are in carry-on baggage.

MAINTENANCE

⚠ WARNING: To reduce the risk of serious personal injury, turn unit OFF and remove the battery pack before making any adjustments or removing / installing attachments or accessories. An accidental start-up can cause injury.

⚠ WARNING: RISK OF PERSONAL INJURY AND/OR PROPERTY DAMAGE DUE TO CHEMICAL EXPOSURE. Always ensure that all chemicals have been removed from the sprayer and the sprayer has been cleaned prior to performing any maintenance.

⚠ WARNING: Disconnect the battery pack from the sprayer before making any adjustments, changing accessories, or storing the sprayer. Such preventative measures reduce the risk of starting the sprayer accidentally.

⚠ WARNING: RISK OF PERSONAL INJURY. Always release pressure from the sprayer prior to performing any maintenance. Disassembly of a sprayer that is still pressurized may result in the high-speed ejection of components. Ensure the sprayer is OFF and squeeze the shut-off lever until all pressure is released.

Repairs

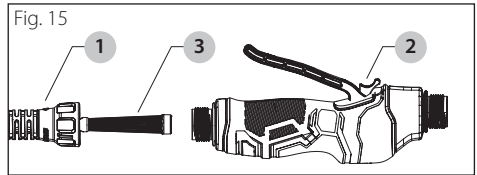
The charger and battery pack are not serviceable.

⚠ WARNING: To assure product SAFETY and RELIABILITY, repairs, maintenance and adjustment (including brush inspection and replacement, when applicable) should be performed by a CRAFTSMAN factory service center or a CRAFTSMAN authorized service center. Always use identical replacement parts.

Shut-off Assembly Maintenance

⚠ WARNING: Prior to performing maintenance, always depressurize the sprayer by turning the sprayer OFF and squeezing the shut-off lever to spray until liquid flow stops.

1. Unscrew the hose nut (1) from the shut-off assembly (2).
2. Remove the hose with attached filter (3) from the shut-off assembly (2).
3. Clean any debris from inside the shut-off assembly (2), or the filter (3) by rinsing with cool, clean water.
4. Reassemble the components as shown and tighten all connections securely.



Nozzle Maintenance

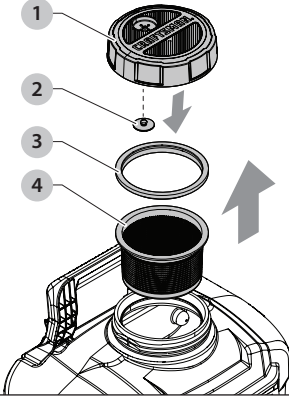
⚠ WARNING: Prior to performing maintenance, always depressurize sprayer by ensuring the sprayer is OFF and then squeezing the shut-off lever to spray until liquid flow stops.

- If a nozzle clogs, remove and disassemble the nozzle assembly.
- Clean the openings of any obstructions or residue.
- Do not use sharp tools that could scratch or damage the nozzles as spray pattern could be affected.
- Do not hit nozzle against surfaces to unclog.

Cap and Filter Basket Maintenance

- Check the check valve (2) on the cap (1) and the filter basket gasket (3) on the filter basket (4) to ensure they do not show signs of wear and are operating properly.
- Replace them as required.

Fig. 16



In-Tank Filter Maintenance

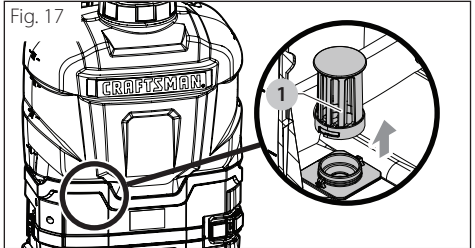
⚠ CAUTION: RISK OF DAMAGE TO INTERNAL COMPONENTS. Do not operate the sprayer without the in-tank filter properly installed. Doing so could allow debris to enter the pump and cause clogging or damage to the pump.

1. Ensure the sprayer is OFF and remove the battery according to the *Removing the Battery* instructions.
2. Remove the cap and filter basket. Rinse with clean water to remove any debris.
3. Place the filter basket and cap on a clean surface where they will not collect dirt, dust, grass clippings, or other debris.
4. Pour any liquid from the tank into an appropriate container for later use or proper disposal according to chemical manufacturer's instructions.
5. Rinse and empty the tank to remove any dirt, debris, or residue.
6. Reach into the tank and carefully grasp the in-tank filter (1) located at the bottom of the tank.
7. Turn the in-tank filter approximately 1/8 of a turn counterclockwise until it stops turning and pull up to remove it from the tank.

8. Clean the in-tank filter carefully rinsing from the inside to the outside. Be sure not to tear or damage the mesh. Any damage to the mesh may allow debris to enter the pump and cause clogging or damage to the pump.

NOTE: If the in-tank filter is damaged or too dirty to permit cleaning, replace with a new in-tank filter.

9. To re-install the in-tank filter, gently set it back over the filter base in the bottom of the tank, and slowly turn the filter clockwise until the locking tabs on the filter base align with the grooves in the filter. The in-tank filter will drop downward approximately 1/8 in. when this happens.
10. Push down on the in-tank filter until it stops, approximately another 1/4 in., then turn the in-tank filter approximately 1/8 turn clockwise until it stops.



NOZZLE FLOW CHART

NOTICE: RISK OF PROPERTY DAMAGE. Always turn switch setting to low when switching to a low-flow nozzle.

NOTICE: RISK OF PROPERTY DAMAGE. Failure to abide by Nozzle Flow Chart recommendations may result in a damaged pump and void warranty.

Nozzles Included with Product

Nozzle	Power Switch Setting			
	Low		High	
	Flow Rate (gpm)	Pressure (psi)	Flow Rate (gpm)	Pressure (psi)
Foaming (Black)	0.21	27	0.29	51
Low-Volume Narrow Fan (Yellow)	0.22	20	0.32	42
Low-Volume Wide Fan (Red)	0.23	19	0.33	39
Poly Adjustable (Straight Stream)	0.26	10	0.39	24
Poly Adjustable (Full Cone)	0.17	42	Not recommended; may overwork and damage the pump with frequent use.	

Note: All values represent spraying with water or similar viscosity liquid product.

Note: Pressure and flow may vary by 10%.

TROUBLESHOOTING

PROBLEM	CAUSE	SOLUTION
The sprayer does not turn ON (no audible hum of the pump).	Ensure the battery is correctly installed.	Install the battery correctly. See <i>Installing the Battery</i> .
	Ensure the battery is charged.	Charge the battery. See <i>Charging the Battery</i> .
	The battery may be damaged or may have overheated. Visually inspect the battery for damage.	Replace the battery if it is damaged or not working. If the battery overheated, allow the battery to cool.
	The hose is pressurized. The pump turned OFF automatically.	Squeeze the shut-off lever to see if the sprayer starts and the pump turns ON.
The sprayer turns ON (pump head hums) but it will not spray.	There is no liquid in the tank.	Add liquid to the tank. See <i>Filling the Sprayer</i> .
	The shut-off lever is clogged.	Clean the shut-off lever. See <i>Shut-off Assembly Maintenance</i> .
	The nozzle is clogged.	Clean the nozzle. See <i>Nozzle Maintenance</i> .
	The pump is not primed.	Allow at least 30 seconds for the pump to prime.
The sprayer turns ON but only sprays at low pressure.	The shut-off lever is clogged.	Clean the shut-off lever. See <i>Shut-off Assembly Maintenance</i> .
	The nozzle is clogged.	Clean the nozzle. See <i>Nozzle Maintenance</i> .
	The pump is not primed.	Allow at least 30 seconds for the pump to prime.
The pump does not fully prime.	The liquid level in the tank is low.	Add liquid to the tank. See <i>Filling the Sprayer</i> .
	The pump was run dry (without liquid) before the tank was refilled.	Ensure the sprayer is OFF and squeeze the shut-off lever until all pressure is relieved.
	There is chemical residue or build-up in the tank and/or pump due to improper or inadequate cleaning.	Clean the sprayer. See <i>Cleaning</i> . If necessary, repeat with warm water and a mild detergent mixture. Allow the mixture to stay in the pump for up to 1 hour prior to rinsing. Replace the pump if necessary.
	The in-tank filter is improperly installed, missing, or damaged, allowing debris to enter the pump.	Clean the sprayer. See <i>Cleaning</i> . If necessary, repeat with warm water and a mild detergent mixture. Allow the mixture to stay in the pump for up to 1 hour prior to rinsing. Replace the pump if necessary.
The hose leaks at the tank connection.	The hose is cracked, swollen, or faulty.	Replace the shut-off assembly.
	The connection is damaged.	Replace the shut-off assembly.
The hose leaks at the shut-off assembly.	The hose is cracked, swollen, or faulty.	Replace the shut-off assembly.
	The connection is damaged.	Replace the shut-off assembly.

PROBLEM	CAUSE	SOLUTION
The nozzle drips when the shut-off lever is released.	There is dirt or debris in the shut-off lever.	Clean the shut-off assembly.
	There is a damaged O-ring or seal in the shut-off assembly.	Replace the shut-off assembly.
The nozzle tip leaks.	The flat seal is missing.	Install the flat seal behind the nozzle tip. See <i>Assembly</i> .
	The flat seal is damaged.	Replace the flat seal.
The spray pattern is poor.	The nozzle is partially clogged.	Clean the nozzle. See <i>Cleaning</i> .
	The nozzle is damaged.	Replace the nozzle.
The unit shuts off abruptly.	The battery pack has reached its maximum thermal limit.	Allow the battery pack to cool down.
	The battery is out of charge. To maximize the life of the battery, it is designed to shut off abruptly when the charge is depleted.	Place the battery on the charger and allow it to charge.
The battery pack does not charge.	The battery pack is not inserted in the charger.	Insert the battery pack into the charger until the red (charging) light illuminates.
	The charger is not plugged in.	Plug the charger into a working outlet.
	The surrounding air temperature is too hot or too cold.	Move the battery pack to a surrounding air temperature of above 40° F (4.5° C) or below 104° F (40° C).
Battery will not charge.	No lights illuminated on charger (not plugged into outlet).	Plug charger into outlet.
	No lights illuminated on charger (plugged into outlet).	Check that outlet is functioning.
	No lights illuminated on charger (plugged into outlet, the outlet is functioning).	Replace charger.
	No lights illuminated on charger (plugged into outlet, the outlet is functioning, new/functioning battery inserted in the charger).	Replace battery.
	Green light blinking on charger, but a red indicator light is also illuminated (battery temperature too high for safe charging).	Allow battery to cool.

REGISTER ONLINE

Thank you for your purchase. Register your product now for:

- **WARRANTY SERVICE:** Registering your product will help you obtain more efficient warranty service in case there is a problem with your product.
- **CONFIRMATION OF OWNERSHIP:** In case of an insurance loss, such as fire, flood or theft, your registration of ownership will serve as your proof of purchase.
- **FOR YOUR SAFETY:** Registering your product will allow us to contact you in the unlikely event a safety notification is required under the Federal Consumer Safety Act.

Register online at www.craftsman.com/registration.

Three Year Limited Warranty

CRAFTSMAN will repair or replace, without charge, any defects due to faulty materials or workmanship for three years from the date of purchase (two years for batteries). This warranty does not cover part failure due to normal wear or tool abuse. For further detail of warranty coverage and warranty repair information, visit www.craftsman.com or call **1-888-331-4569**. This warranty does not apply to accessories or damage caused where repairs have been made or attempted by others. THIS LIMITED WARRANTY IS GIVEN IN LIEU OF ALL OTHERS, INCLUDING THE IMPLIED WARRANTY OF MERCHANTABILITY AND FITNESS FOR A PARTICULAR PURPOSE, AND EXCLUDES ALL INCIDENTAL OR CONSEQUENTIAL DAMAGES.

Some states do not allow limitations on how long an implied warranty lasts or the exclusion or limitation of incidental or consequential damages, so these limitations may not apply to you. This warranty gives you specific legal rights and you may have other rights which vary in certain states or provinces. In no event shall FGI be liable for any incidental, special, consequential or punitive damages, or for any attorney fees, expenses, losses or delays alleged to be as a consequence of any damage to, failure of, or inadequate product training, but not limited to, any claims for loss of profits.

Warranty on Batteries and Chargers

2 YEARS FREE SERVICE ON CRAFTSMAN BATTERY PACKS

CMCB201, CMCB2011

3 YEARS FREE SERVICE ON CRAFTSMAN BATTERY PACKS

CMCB202, CMCB204, CMCB206, CMCB209

NOTE: Battery warranty voided if the battery pack is tampered with in any way. CRAFTSMAN is not responsible for any injury caused by tampering and may prosecute warranty fraud to the fullest extent permitted by law.

90 DAY MONEY BACK GUARANTEE

If you are not completely satisfied with the performance of your CRAFTSMAN Power Tool, Laser, or Nailer for any reason, you can return it within 90 days from the date of purchase with a receipt for a full refund—no questions asked.

FREE WARNING LABEL REPLACEMENT: If your warning labels become illegible or are missing, call **1-888-331-4569** for a free replacement.

Manufactured under license and distributed by:
The Fountainhead Group, Inc.
23 Garden Street
New York Mills, NY 13417 U.S.A.

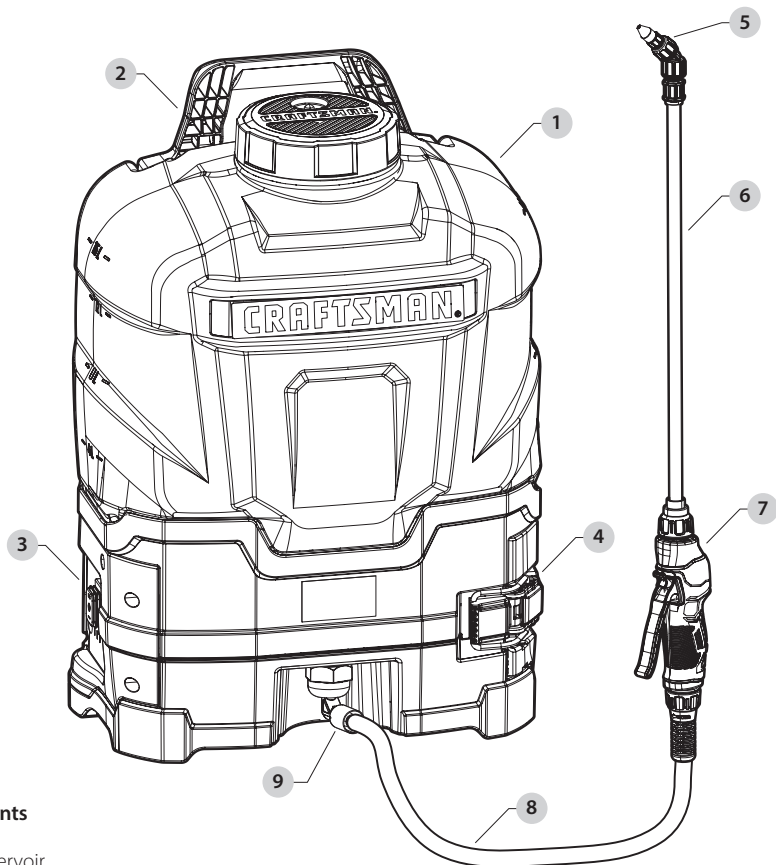
Telephone: (315) 736-0037

Email: Info@TheFGL.com

www.TheFountainheadGroup.com

Définitions : Symboles et termes d'alerte de sécurité

- ⚠ **DANGER** : Indique une situation extrêmement dangereuse qui entraînera la mort ou des blessures graves si elle n'est pas évitée.
- ⚠ **AVERTISSEMENT** : Indique une situation potentiellement dangereuse qui pourrait entraîner la mort ou des blessures graves si elle n'est pas évitée.
- ⚠ **ATTENTION** : Indique une situation potentiellement dangereuse qui, si elle n'est pas évitée, peut entraîner des blessures mineures ou modérées.
- ⚠ Utilisé sans terme indique un message de sécurité.
- AVIS** : Indique une pratique non associée aux blessures corporelles qui peut entraîner des dommages matériels si elle n'est pas évitée.



Composants

- 1 Réservoir
- 2 Poignée de transport avec rangement horizontal intégré de la tige
- 3 Contrôle du débit faible/élevé
- 4 Compartiment à batterie scellé et étanche
- 5 Buse réglable en poly (buses éventail également incluses)
- 6 Tige en poly ultra robuste de 21"
- 7 Système d'arrêt avec poignée confortable, verrou et filtre
- 8 Boyau ultra robuste antitortillement
- 9 Raccordement de flexible pivotant

⚠ **AVERTISSEMENT** : Lisez tous les avertissements de sécurité et toutes les consignes. Le non-respect des avertissements et des consignes peut entraîner des blessures graves.

⚠ **AVERTISSEMENT** : Pour réduire le risque de blessure, veuillez consulter le manuel d'instructions.

CONSIGNES DE SÉCURITÉ IMPORTANTES

LIRE TOUTES LES CONSIGNES AVANT D'UTILISER CE PULVÉRISATEUR

⚠ AVERTISSEMENT : L'utilisation d'un pulvérisateur électrique implique toujours la prise de précautions de base pour réduire le risque d'incendie, de décharge électrique et de blessures personnelles, notamment celles qui suivent:

- **Ne pas laisser le pulvérisateur sans surveillance lorsqu'il est branché à la source d'alimentation.** Retirer le bloc-batterie lorsqu'il n'est pas utilisé et avant de procéder à l'entretien.
- **Ne pas permettre l'utilisation du pulvérisateur comme un jouet.** Une attention particulière est nécessaire lors de l'utilisation du pulvérisateur par ou près des enfants.
- **Utiliser cet appareil SEULEMENT** comme indiqué dans ce manuel. N'utiliser que les accessoires recommandés.
- **Ne pas utiliser ce pulvérisateur s'il présente quel que signe de mauvais fonctionnement que ce soit.** Si le pulvérisateur ne fonctionne pas correctement, s'il est tombé, s'il a été endommagé, s'il a été laissé à l'extérieur ou s'il est tombé dans l'eau, le renvoyer dans un centre de service.
- Tenir les cheveux, les vêtements amples, les doigts et toutes les parties du corps éloignés des ouvertures et des pièces mobiles.
- Éteindre toutes les commandes avant de débrancher l'appareil de la source d'alimentation.
- Faire très attention lors du nettoyage des escaliers.

Consignes de sécurité supplémentaires

⚠ AVERTISSEMENT : Lire tous les avertissements de sécurité et toutes les consignes. Le non-respect des avertissements et des consignes peut entraîner des décharges électriques, des incendies et des blessures graves.

Pour réduire le risque de blessure :

- **Éviter les conditions environnementales dangereuses** – Ne pas utiliser les appareils électriques dans des endroits humides ou mouillés. Ne pas utiliser l'appareil sous la pluie.
- **Utiliser l'appareil approprié** – Ne pas utiliser cet appareil pour un travail autre que celui pour lequel il a été conçu.
- **Tenir les enfants, les passants et les animaux à une distance** d'au moins 10 m (30 pi) de la zone de travail lors de l'utilisation de l'appareil.
- **Effectuer un entretien minutieux de l'appareil.** Maintenir l'appareil propre pour un rendement optimal et sécuritaire. Suivre les consignes pour un entretien adéquat.

- **Demeurer vigilant** - Toujours garder les yeux sur la tâche. Faire preuve de bon sens. Ne pas utiliser l'appareil lorsque l'on ressent de la fatigue.
- **Ne pas** diriger le pulvérisateur vers d'autres personnes ou soi-même.
- **Ne pas** tenter de déboucher l'appareil sans retirer la batterie au préalable.
- **Ne pas** immerger des parties de l'appareil dans un liquide.
- **Ne pas** utiliser l'appareil si l'interrupteur ne permet pas de l'allumer ou de l'éteindre. Un appareil qui ne peut pas être contrôlé au moyen de l'interrupteur est dangereux et doit être réparé.
- **Ne pas trop tendre le bras.** Maintenir une bonne assise et rester en équilibre en tout temps.
- **Ne jamais laisser le pulvérisateur fonctionner sans surveillance.** Mettre hors tension.
- **Entreposer l'appareil entre les utilisations.** Lorsqu'il n'est pas utilisé, l'appareil doit être rangé dans un endroit sec, en hauteur ou fermé à clé, hors de portée des enfants.
- **Les consignes relatives aux batteries et aux chargeurs compatibles sont incluses dans ce manuel à titre de référence.** Lire tous les manuels d'instructions fournis avec le bloc-batterie ou le chargeur. Lire toutes les indications d'avertissement sur le chargeur et le bloc-batterie.
- **Déconnecter le bloc-batterie du pulvérisateur avant d'effectuer tout ajustement, changer les accessoires, déplacer ou entreposer l'appareil.** Ces précautions réduisent le risque de pulvérisation accidentelle.

Consignes de sécurité supplémentaires






⚠ AVERTISSEMENT : TOUJOURS utiliser des Lunettes de sécurité. Les lunettes de tous les jours ne sont PAS des lunettes de sécurité. TOUJOURS PORTER UN ÉQUIPEMENT DE SÉCURITÉ CERTIFIÉ :

- Protection oculaire ANSI Z87.1 (CAN/CSA Z94.3),
- **ATTENTION :** Lorsqu'il n'est pas utilisé, placer l'outil sur le côté, sur une surface stable où il ne risque pas de faire trébucher ou tomber. Certains outils se tiennent debout, mais peuvent être facilement renversés.

L'étiquette de votre outil peut comporter les symboles ci-dessous. Les symboles et leurs définitions sont les suivants :

V	volts	~	ou c.a.....	courant alternatif
Hz	hertz	⌚	ou c.a./c.c....	courant alternatif ou continu
min	minutes	Ⓜ	construction de classe II (double isolation)
==	ou c.c.	courant continu vitesse à vide
Ⓜ	construction de classe I(avec mise à la terre)	n	vitesse nominale
.../min	...par minute	Ⓧ	borne de terre

FRANÇAIS

BPMpulsations par minute	 symbole d'alerte de sécurité
IPMimpacts par minute	 radiation visible
tr/minrévolutions par minute	 porter une protection respiratoire
plpmpieds linéaires par minute	 porter une protection oculaire
SPMcoups par minute	 porter une protection auditive
A.....ampères	 lire toute la documentation
Wwatts		

CONSIGNES DE SÉCURITÉ IMPORTANTES

▲ DANGER : RISQUE DE DÉCÈS, DE BLESSURES GRAVES ET DE DOMMAGES MATÉRIELS DÉCOULANT DE L'UTILISATION D'UNE SUBSTANCE CHIMIQUE OU D'UN MÉLANGE INAPPROPRIÉ.

- Ne jamais utiliser des substances inflammables ou combustibles chimiques dans ce pulvérisateur. Pulvériser des substances chimiques combustibles ou inflammables peut créer des vapeurs combustibles qui pourraient s'enflammer et créer une explosion.
- Utiliser seulement des substances chimiques conçues pour la pulvérisation. Certaines substances chimiques peuvent créer une atmosphère toxique ou d'autres atmosphères dangereuses lorsqu'elles sont pulvérisées.
- Pour un mélange approprié et une application sécuritaire, toujours respecter les directives du fabricant concernant les substances chimiques et la fiche signalétique relative aux substances chimiques.

▲ AVERTISSEMENT : RISQUE DE BLESSURES PERSONNELLES ET DE DOMMAGES MATÉRIELS DÉCOULANT D'UNE EXPOSITION À UNE SUBSTANCE CHIMIQUE.

- Lire et comprendre tout le manuel d'instructions avant d'utiliser ce pulvérisateur.
- Suivre toutes les directives et les précautions de ce manuel d'instructions lors de l'utilisation de ce pulvérisateur.
- Lire et suivre toutes les instructions et précautions sur l'étiquette du fabricant des substances chimiques qui seront utilisées dans ce pulvérisateur.
- Utiliser l'équipement de protection individuelle (EPI) approprié comme recommandé par le fabricant de la substance chimique ou consulter la fiche signalétique de la substance chimique utilisée. L'EPI comprend au moins des lunettes de sécurité, des gants et des vêtements de protection. Ne pas utiliser l'EPI approprié pourrait entraîner une exposition à la substance chimique par contact avec la peau ou les yeux, l'inhalation ou autres.
- Après l'assemblage initial, le rangement à long terme ou tout autre événement possiblement dommageable comme une chute, inspecter toujours le pulvérisateur pour y détecter tout dommage et effectuer un test avec de l'eau pure

afin de vérifier qu'il fonctionne normalement. Avant d'utiliser le pulvérisateur avec une substance chimique, s'assurer que toutes les connexions sont bien serrées et qu'il n'y a pas de fuite, également que le flexible n'est pas endommagé.

- Toujours inspecter le flexible et toutes ses connexions avant chaque utilisation. Un flexible endommagé ou qui n'est pas bien fixé pourrait entraîner une décharge à pression élevée non contrôlée de la substance chimique.
- Ne pas pulvériser près d'une flamme nue, une surface chaude ou toute autre chose qui pourrait créer une vapeur avec la substance pulvérisée. Cela pourrait créer une atmosphère chimique dangereuse.
- Ne jamais utiliser d'agent caustique, eau de javel, acides, eau chaude ou de substances chimiques produisant de la pression dans ce pulvérisateur.
- Garder le pulvérisateur et toute substance chimique hors de la portée des enfants ou des animaux de compagnie.
- N'utiliser le pulvérisateur que par temps calme (aucun vent ou mouvement de l'air) afin d'empêcher la substance chimique pulvérisée d'atterrir sur des surfaces non ciblées.
- Toujours relâcher la pression lorsque le pulvérisateur n'est pas utilisé et avant d'effectuer tout entretien.
- Ne jamais entreposer des substances chimiques dans le pulvérisateur.
- Entreposer ou éliminer les substances chimiques non utilisées selon les directives du fabricant de la substance chimique en raison des dommages possibles à l'environnement s'il advenait un déversement ou une fuite, ou consulter les critères de mise au rebut indiqués sur la fiche signalétique.
- Nettoyer et rincer le pulvérisateur après chaque utilisation pour éviter une exposition non prévue à une substance chimique et éviter la contamination lors d'applications suivantes.
- Entreposer le pulvérisateur dans un endroit chaud, sec et sans poussière, à l'écart de la lumière directe du soleil.

▲ AVERTISSEMENT : RISQUE DE BLESSURE PERSONNELLE ET DE DOMMAGES MATÉRIELS DÉCOULANT D'UN BRIS OU D'UNE DÉCHARGE DE LIQUIDES CHIMIQUES À PRESSION ÉLEVÉE INCONTRÔLÉE.

- Ne jamais modifier le pulvérisateur par rapport à sa condition d'origine. Ne jamais chauffer ou modifier le flexible, l'écrou du flexible ou la barbelure. Ne pas respecter cette consigne pourrait entraîner l'affaiblissement des composants et/ou des connexions.
- Utiliser seulement les pièces de rechange du fabricant. Les autres pièces de rechange ne sont pas compatibles avec ce pulvérisateur.
- Ne jamais pressuriser le pulvérisateur avec un autre dispositif que la pompe fournie par le fabricant d'origine. L'utilisation d'un compresseur à air ou autre dispositif non standard pour pressuriser le réservoir pourrait dépasser la pression sécuritaire de fonctionnement du pulvérisateur.

- Ne pas soulever, transporter ou tirer le pulvérisateur par le flexible, le robinet d'arrêt ou l'extension de la lance. Ne pas respecter cette consigne pourrait entraîner l'affaiblissement des composants et/ou des connexions. Transporter seulement par la poignée ou le harnais en s'assurant que les connexions sont solidement fixées avant de le soulever.
- Afin de réduire les risques de décharges électriques, ne pas mettre le pulvérisateur dans l'eau ou autre liquide. Ne pas mettre ni ranger le pulvérisateur à un endroit où il peut tomber ou être entraîné dans une baignoire ou un évier.

CONSERVER CES INSTRUCTIONS

Consignes de sécurité supplémentaires

- ⚠ AVERTISSEMENT :** Ne jamais modifier le pulvérisateur ou une de ses pièces. Il pourrait en découler des dommages ou des blessures personnelles.

BATTERIES ET CHARGEURS

Le bloc-batterie n'est pas complètement chargé à la sortie de l'emballage. Avant d'utiliser le bloc-batterie et le chargeur, lire les consignes de sécurité ci-dessous et suivre ensuite les procédures de chargement décrites. Lors de la commande de blocs-batteries de rechange, s'assurer d'inclure le numéro du catalogue et la tension.

Votre outil utilise un chargeur CRAFTSMAN Veiller à lire toutes les instructions de sécurité avant d'utiliser le chargeur. Consulter le tableau à la fin de ce manuel pour connaître la compatibilité des chargeurs et des blocs-batteries.

Directives de sécurité importantes pour tous les blocs-batteries

- ⚠ AVERTISSEMENT :** Lire tous les avertissements de sécurité et toutes les consignes concernant le bloc-batterie, le chargeur et l'outil électrique. Le non-respect des avertissements et des directives peut entraîner des décharges électriques, des incendies et des blessures graves.

- **Ne pas charger ou utiliser le bloc-batterie dans une atmosphère explosive, comme en présence de liquides, de gaz ou de poussières inflammables.** Insérer ou retirer le bloc-batterie du chargeur peut mettre feu aux poussières ou aux vapeurs.
- **NE JAMAIS forcer le bloc-batterie dans le chargeur. NE PAS modifier le bloc-batterie de quelque façon que ce soit pour le charger dans un chargeur non compatible, car cela pourrait causer la rupture du bloc-batterie et causer des blessures corporelles graves.** Consulter le tableau à la fin de ce manuel pour connaître la compatibilité des chargeurs et des blocs-batteries.
- Charger les blocs-batteries uniquement dans les chargeurs CRAFTSMAN désignés.
- **NE PAS** arroser ou immerger dans l'eau ou autres liquides.
- **Ne pas entreposer ou utiliser l'outil et le bloc-batterie dans un endroit où la température pourrait atteindre 104 °F (40 °C) ou être plus élevée (comme dans une remise extérieure ou**

un bâtiment en métal l'été). Pour une durée de vie optimale, ranger les blocs-batteries dans un endroit frais et sec.

REMARQUE : Ne pas ranger les blocs-batteries dans un outil dont la gâchette est verrouillée en position de marche. Ne jamais fixer au moyen d'un ruban adhésif la gâchette en position ON (marche).

- **Ne pas incinérer le bloc-batterie même s'il est gravement endommagé ou complètement usé.** Le bloc-batterie peut exploser dans un incendie. Des vapeurs et matériaux toxiques sont créés lorsque le bloc-batterie au lithium-ion est brûlé.
- **Ne pas exposer le bloc-batterie ou l'outil/appareil au feu ou à une température excessive.** L'exposition au feu ou à des températures au-dessus de 265 °F (130 °C) peut entraîner une explosion.
- **Si le contenu de la batterie entre en contact avec la peau, nettoyer immédiatement l'endroit touché avec un savon doux et de l'eau.** Si le liquide de la batterie entre dans l'œil, rincer l'œil ouvert pendant 15 minutes ou jusqu'à ce que l'irritation cesse. Si une assistance médicale est nécessaire, l'électrolyte de la batterie est composé d'un mélange de carbone organique et de sels de lithium.
- **Le contenu des éléments de batteries ouverts peut provoquer une irritation respiratoire.** Mettre la personne à l'air frais. Si les symptômes persistent, consulter un médecin.

⚠ AVERTISSEMENT : Risque de brûlure. Le liquide de la batterie peut être inflammable s'il est exposé à des étincelles ou une flamme.

⚠ AVERTISSEMENT : Risque d'incendie. Ne jamais essayer d'ouvrir un bloc-batterie pour une quelconque raison. Si le boîtier du bloc-batterie est craqué ou endommagé, ne pas l'insérer dans le chargeur. Ne pas écraser, échapper ou endommager le bloc-batterie. Ne pas utiliser un bloc-batterie ou un chargeur qui a reçu un coup brusque, a été échappé, sur lequel on a roulé, a été endommagé de quelque façon que ce soit (p. ex., percé avec un clou, frappé avec un marteau, sur lequel on a marché). Les blocs-batteries doivent être amenés au centre de service aux fins de recyclage.

Blocs-batteries à indicateur de niveau

Certains blocs-batteries CRAFTSMAN comprennent un indicateur de niveau qui se compose de trois voyants qui indiquent la charge restante dans le bloc.

On obtient ainsi une indication du niveau de charge approximatif restant dans la batterie selon les indicateurs suivants :

 Batterie 75 à 100 % chargée

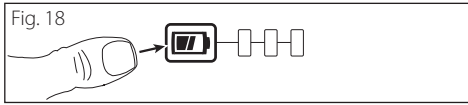
 Batterie 51 à 74 % chargée

 Batterie moins de 50 % chargée

 Le bloc doit être rechargé

FRANÇAIS

Pour actionner l'indicateur de niveau de charge, appuyez et maintenez le bouton de l'indicateur. Une combinaison des trois voyants à DEL s'allume pour indiquer le niveau de charge restant. Lorsque le niveau de charge de la batterie est inférieur à la limite utilisable, l'indicateur de niveau ne s'allume pas et la batterie doit être rechargée.



REMARQUE : L'indicateur ne fournit qu'une estimation de la charge restante de la batterie. Il n'indique pas la fonctionnalité de l'outil et peut varier en fonction des composants du produit, de la température et de l'application de l'utilisateur final.

Pour plus d'informations sur les blocs-batteries à indicateur de niveau, veuillez composer le 1-888-331-4569 ou visiter notre site Web au www.craftsman.com.

Le sceau RBRC®

Le sceau RBRC® (Rechargeable Battery Recycling Corporation) apposé sur les batteries (ou blocs-batteries) au nickel-cadmium, au nickel-hydrure métallique ou au lithium-ion indique que les coûts de recyclage de ces batteries (ou blocs-batteries) à la fin de leur vie utile ont déjà été payés par CRAFTSMAN. Dans certaines régions, il est illégal de mettre les batteries nickel-cadmium, à hydrure métallique de nickel ou lithium-ion usagées à la poubelle ou dans les déchets solides municipaux; le programme Appel à Recycler offre à cet égard une solution respectueuse de l'environnement.

Appel à Recycler Inc, en collaboration avec CRAFTSMAN et d'autres utilisateurs de batteries, a mis en place ce programme aux États-Unis et au Canada pour faciliter la collecte des batteries nickel-cadmium, à hydrure métallique de nickel ou lithium-ion usagées. Contribuez à la protection de notre environnement et à la conservation des ressources naturelles en renvoyant les batteries nickel-cadmium, à hydrure métallique de nickel ou lithium-ion usagées dans un centre de service CRAFTSMAN agréé ou chez votre détaillant local pour qu'elles soient recyclées. Vous pouvez également communiquer avec votre centre de recyclage local pour obtenir des renseignements au sujet de l'endroit où vous pouvez apporter votre batterie usagée. RBRC® est une marque déposée d'Appel à Recycler, Inc.



Transport

⚠ AVERTISSEMENT : Risque d'incendie. Ne pas entreposer ou transporter le bloc-batterie de façon à ce que des objets en métal puissent entrer en contact avec les bornes apparentes de la batterie. Par exemple, ne jamais placer le bloc-batterie dans un tablier, une poche, un coffre à outils, une trousse de produits, un tiroir, etc. à proximité de clous, de vis ou de clés. Le transport de batteries peut possiblement causer un incendie si les bornes de la batterie entrent

accidentellement en contact avec des matériaux conducteurs tels des clés, des pièces de monnaie, des outils à main, et autres objets semblables. Les règlements sur les marchandises dangereuses (HMR) du United States Department of Transportation interdisent le transport de batteries dans une soute à bagages ou dans les bagages de cabine À MOINS qu'elles ne soient adéquatement protégées d'un court-circuit. Donc, lorsque vous transportez un bloc-batterie, il faut s'assurer que les bornes sont protégées et bien isolées des matériaux avec lesquels elles pourraient entrer en contact et court-circuiter. À NOTER : les batteries Li-ion ne devraient pas être transportés dans les bagages enregistrés.

Directives de sécurité importantes pour tous les blocs-batteries

⚠ AVERTISSEMENT : Lire tous les avertissements de sécurité et toutes les consignes concernant le bloc-batterie, le chargeur et l'outil électrique. Le non-respect des avertissements et des consignes peut entraîner des décharges électriques, des incendies et des blessures graves.

- **NE PAS tenter de recharger le bloc-batterie au moyen d'un chargeur autre que ceux décrits dans ce manuel.** Le chargeur et la batterie sont spécialement conçus pour fonctionner ensemble.
- **Ces chargeurs ne sont pas destinés à d'autres utilisations que la charge des batteries rechargeables CRAFTSMAN.** Toute autre utilisation pourrait entraîner un risque d'incendie, de décharge électrique ou d'électrocution.
- **Ne pas exposer le chargeur à la pluie ou à la neige.**
- **Lors de la déconnexion du chargeur, tirer par la fiche au lieu de tirer sur le cordon.** Cela réduira le risque de dommage à la fiche et au cordon.
- **S'assurer que le cordon est situé à un endroit où personne ne marchera dessus, auquel cas, il pourrait être endommagé ou brisé.**
- **Ne pas utiliser une rallonge électrique à moins que cela ne soit absolument nécessaire.** L'utilisation d'une rallonge électrique inappropriée pourrait entraîner un risque d'incendie, de décharges électriques ou d'électrocution.
- **Lors de l'utilisation du chargeur à l'extérieur, toujours le placer dans un endroit sec et utiliser une rallonge électrique qui convient à une utilisation extérieure.** L'utilisation d'une rallonge électrique qui convient à une utilisation extérieure réduit le risque de décharges électriques.
- **Pour des raisons de sécurité, une rallonge électrique doit être munie d'un fil de calibre approprié (AWG ou calibre américain normalisé des fils).** Plus le numéro de calibre du fil est petit, plus la capacité du câble est grande, c'est-à-dire que le calibre 16 a plus de capacité que le calibre 18. Un cordon sous-dimensionné provoquera une chute de tension entraînant une perte de puissance et une surchauffe. Si vous utilisez plus d'une rallonge pour

constituer la longueur totale, assurez-vous que chaque rallonge individuelle contient au moins la taille de fil minimale. Le tableau suivant présente les calibres appropriés à utiliser selon la longueur de cordon et la plaque nominative de puissance. En cas de doute, utiliser le prochain calibre plus lourd. Plus le numéro de calibre est petit, plus le cordon est lourd.

Calibre minimum de l'ensemble de cordons

Volts		Longueur totale des cordons en pieds (mètres)			
120 V		7,6 (25)	15,2 (50)	30,5 (100)	45,7 (150)
240 V		15,2 (50)	30,5 (100)	61 (200)	91,4 (300)
Valeur nominale en ampères		AWG			
0	6	18	16	16	14
6	10	18	16	14	12
10	12	16	16	14	12
12	16	14	12	Déconseillé	

- **Ne placer aucun objet sur le chargeur ou sur une surface souple qui pourrait bloquer les fentes de ventilation et entraîner une chaleur interne excessive.** Placer le chargeur dans un endroit éloigné de toute source de chaleur. Le chargeur est ventilé par des fentes situées en haut et en bas du boîtier.
- **Ne pas faire fonctionner le chargeur dont le cordon ou la fiche est endommagé.**
- **Ne pas faire fonctionner le chargeur s'il a reçu un coup brusque, a été échappé ou autrement endommagé de quelque façon.** Le déposer dans un centre de réparation autorisé.
- **Ne pas désassembler le chargeur. Le déposer dans un centre de réparation autorisé lorsqu'une réparation ou un entretien est requis.** Le réassemblage incorrect peut entraîner un risque de décharges électriques, une électrocution ou un incendie.
- **Avant le nettoyage, déconnecter le chargeur de la prise. Cela réduira les risques de décharge électriques.** Le retrait du bloc-batterie ne réduira pas ce risque.
- **NE JAMAIS** tenter de brancher deux chargeurs ensemble.
- **Le chargeur est conçu pour fonctionner selon une alimentation électrique de résidence standard de 120 V. Ne pas essayer de l'utiliser avec toute autre tension.** Ceci ne s'applique pas au chargeur pour véhicule.

⚠ AVERTISSEMENT : Risque de décharges électriques. Ne laisser aucun liquide pénétrer à l'intérieur du chargeur. Risque de décharge électrique.

⚠ AVERTISSEMENT : Risque de brûlure. Ne pas plonger le bloc-batterie dans un liquide ou laisser un liquide

pénétrer dans le bloc-batterie. Ne jamais essayer d'ouvrir un bloc-batterie pour une quelconque raison. Si le boîtier en plastique du bloc-batterie se brise ou se fissure, le renvoyer dans un centre de service pour recyclage.

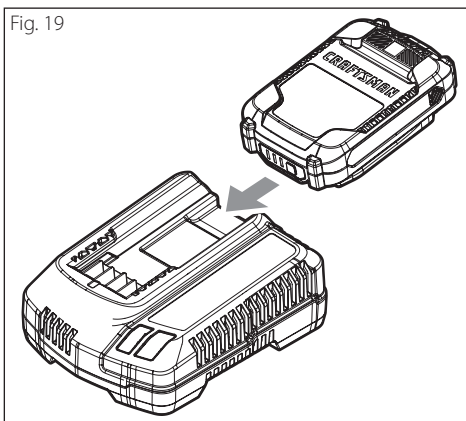
⚠ ATTENTION : Risque de brûlure. Pour réduire le risque de blessure, ne charger que les blocs-batteries rechargeables CRAFTSMAN. D'autres types de batteries peuvent surchauffer et éclater, entraînant des blessures corporelles et des dommages matériels.

AVIS : Dans certaines conditions, lorsque le chargeur est branché sur l'alimentation électrique, il peut être court-circuité par un corps étranger. Les matériaux étrangers conducteurs, par exemple la poussière de meulage, les particules métalliques, la laine d'acier, le papier d'aluminium ou toute autre accumulation de particules métalliques, doivent être éloignés des cavités du chargeur. Toujours débrancher le chargeur de l'alimentation électrique lorsqu'il n'y a pas de bloc-batterie dans la cavité. Débrancher le chargeur avant le nettoyage.

Chargement de la batterie

1. Brancher le chargeur sur une prise appropriée avant d'insérer le bloc-batterie.
2. Insérer le bloc-batterie dans le chargeur, en veillant à ce qu'il soit entièrement logé dans le chargeur. Le voyant vert (charge) clignote en continu pour indiquer que le processus de charge a commencé.
3. La fin de la charge est indiquée par un voyant vert qui reste allumé en permanence. Le bloc-batterie est entièrement chargé et peut être utilisé ou laissé dans le chargeur. Pour retirer le bloc-batterie du chargeur, appuyer sur le bouton de dégagement de la batterie sur le bloc-batterie, puis faire glisser le bloc hors du chargeur.

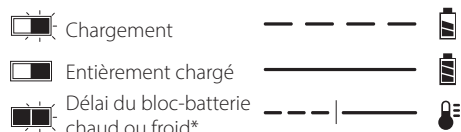
Fig. 19



REMARQUE : Pour garantir un rendement et une durée de vie maximaux des blocs-batteries lithium-ion, charger complètement le bloc avant la première utilisation.

Fonctionnement du chargeur

Consulter les indicateurs ci-dessous pour connaître l'état de charge du bloc-batterie.



*Le voyant vert continue à clignoter, mais un voyant rouge s'allume pendant cette opération. Une fois que le bloc-batterie a atteint une température appropriée, le voyant rouge s'éteint et le chargeur reprend la procédure de charge.

Le ou les chargeurs compatibles ne chargeront pas un bloc-batterie défectueux. Le chargeur indiquera qu'un bloc-batterie défectueux en refusant de s'allumer.

REMARQUE : Cela peut aussi révéler un problème avec un chargeur. Si le chargeur indique un problème, faire tester le chargeur et le bloc-batterie dans un centre de service autorisé.

Délai du bloc-batterie chaud ou froid

Lorsque le chargeur détecte un bloc-batterie trop chaud ou trop froid, il lance automatiquement un délai pour bloc-batterie chaud ou froid, suspendant la charge jusqu'à ce que le bloc-batterie ait atteint une température appropriée. Le chargeur passe alors automatiquement au mode de charge du bloc. Cette caractéristique garantit une longévité maximale de la batterie.

Un bloc-batterie froid se chargera plus lentement qu'un bloc-batterie chaud. Le bloc-batterie se chargera à ce rythme plus lent pendant tout le cycle de charge et ne reviendra pas au rythme de charge maximal même si le bloc-batterie se réchauffe.

Système de protection électronique

Les outils au lithium-ion sont munis d'un système de protection électronique qui protège le bloc-batterie contre la surcharge, la surchauffe ou une décharge importante.

L'outil s'éteint automatiquement si le système de protection électronique s'active. Si cela se produit, placer la batterie lithium-ion sur le chargeur jusqu'à ce qu'elle soit complètement chargée.

Installation au mur

Ces chargeurs sont conçus pour être fixés au mur ou pour être posés verticalement sur une table ou un plan de travail. En cas de montage mural, placer le chargeur à portée d'une prise électrique et à l'écart d'un coin ou d'autres obstructions qui pourraient entraver la circulation de l'air. Utiliser l'arrière du chargeur comme modèle pour l'emplacement des vis de montage sur le mur. Fixer solidement le chargeur à l'aide de vis pour cloison sèche (achetées séparément) d'au moins 25,4 mm (1 po) de long, avec un diamètre de tête de vis de 7-9 mm (0,28-0,35 po), vissées dans le bois à

une profondeur optimale en laissant environ 5,5 mm (7/32 po) de la vis exposée. Aligner les fentes à l'arrière du chargeur avec les vis exposées et les engager complètement dans les fentes.

Versatrack^{MC}

Les chargeurs CRAFTSMAN peuvent être installés au mur à l'aide des fixations VersaTrack^{MC} de CRAFTSMAN. Les crochets et les accessoires sont vendus séparément. Veuillez consulter la feuille d'accessoires des fixations VersaTrack^{MC} pour de plus amples renseignements.

Directives de nettoyage du chargeur

⚠ AVERTISSEMENT : *Risque de décharges électriques. Avant le nettoyage, déconnecter le chargeur de la prise c.a. La saleté et la graisse qui se trouvent à l'extérieur du chargeur peuvent être nettoyées à l'aide d'un chiffon ou d'une brosse souple non métallique. Ne pas utiliser de l'eau ou tout agent de nettoyage.*

Remarques importantes quant au chargement

- La durée de vie la plus longue et le meilleur rendement peuvent être obtenus si le bloc-batterie est chargé lorsque la température de l'air est comprise entre 18 ° et 24 °C (65 °F et 75 °F). NE PAS charger le bloc-batterie en dessous de + 4,5 °C (+40 °F), ou au-dessus de + 40 °C (+104 °F). Cela est important et évitera d'endommager gravement le bloc-batterie.
- Le chargeur et le bloc-batterie peuvent devenir chauds au toucher pendant le chargement. Cela est normal et ne veut pas dire qu'il y a un problème. Pour faciliter le refroidissement du bloc-batterie après l'utilisation, éviter de placer le chargeur ou le bloc-batterie dans un milieu chaud comme une remise en métal ou une remorque non isolée.
- Si le bloc-batterie ne charge pas de façon appropriée :
 - Vérifier le fonctionnement de la prise en y branchant une lampe ou un autre appareil.
 - Vérifier si la prise est connectée à un interrupteur d'éclairage qui coupe l'alimentation lorsque la lumière est éteinte.
 - Déplacer le chargeur et le bloc-batterie dans un endroit où la température de l'air ambiant est d'environ 18 ° à 24 °C (65 °F - 75 °F).
 - Si des problèmes de chargement persistent, déposer le produit, le bloc-batterie et le chargeur dans un centre de réparation local.
- Le bloc-batterie doit être rechargé lorsqu'il ne produit pas suffisamment de puissance pour des travaux qui étaient faciles à réaliser auparavant. CESSER L'UTILISATION dans ces conditions. Suivre la procédure de chargement. Vous pouvez également charger un bloc partiellement utilisé quand vous le souhaitez, sans effet négatif sur le bloc-batterie.

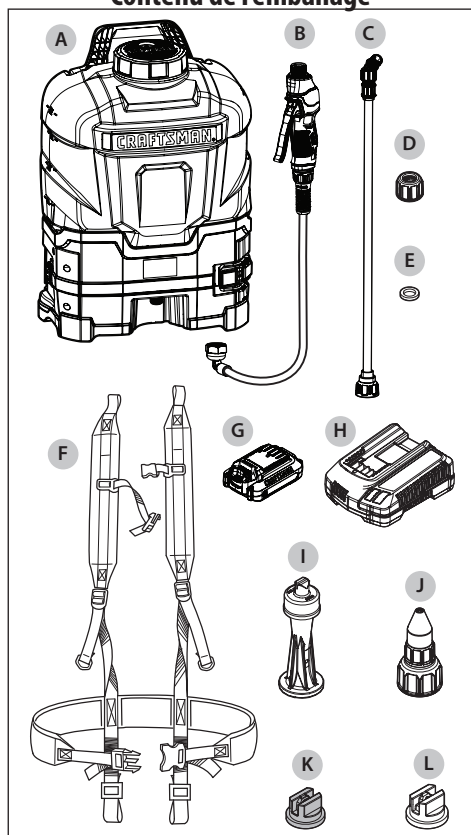
- Les matériaux étrangers conducteurs, par exemple la poussière de meulage, les particules métalliques, la laine d'acier, le papier d'aluminium ou toute autre accumulation de particules métalliques, doivent être éloignés des cavités du chargeur. Toujours débrancher le chargeur de l'alimentation électrique lorsqu'il n'y a pas de bloc-batterie dans la cavité. Débrancher le chargeur avant le nettoyage.
- Ne pas geler ou immerger le chargeur dans l'eau ou tout autre liquide.

Recommandations d'entreposage

- Le meilleur endroit pour l'entreposage est un endroit frais et sec, à l'abri de la lumière directe du soleil et des températures extrêmes.
- Pour un entreposage prolongé, il est recommandé de conserver une batterie entièrement chargée dans un endroit frais et sec, hors du chargeur, pour des résultats optimaux.

REMARQUE : Les blocs-batteries ne doivent pas être stockés complètement déchargés. Le bloc-batterie doit être rechargé avant l'utilisation.

Contenu de l'emballage



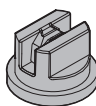
Fonctions et utilisations des buses

Buse à mousse (noire)



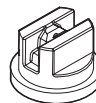
- Marque de façon visible les mauvaises herbes traitées lorsqu'utilisé avec un herbicide ou un produit tensio-actif.
- Pulvérisation localisée dans la pelouse, les massifs de fleurs, les arbres et les buissons.
- Pulvérisation des bordures le long des clôtures, entrées et voies piétonnières.

Buse à jet éventail large à débit faible (rouge)



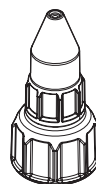
- Remplacement de la pelouse. Élimination de l'ancienne pelouse et des mauvaises herbes avant de planter une nouvelle pelouse.
- Préparation de vastes étendues avant de planter des jardins de plantes d'ornement et de légumes.

Buse à jet éventail étroit à débit faible (jaune)



- Pulvérisation de précision dans des endroits confinés comme les jardins et les massifs de fleurs.

Buse réglable en poly



- Pulvérisation localisée dans les massifs de fleurs, les entrées, et les patios et autour des arbres et des buissons.
- Pulvérisation des bordures le long des clôtures, entrées et voies piétonnières.
- Élimination des broussailles comme le sumac vénéneux, le sumac à feuille de chêne, la vigne japonaise et la ronce commune.

- | | |
|---|--|
| A) Pulvérisateur | B) Assemblage d'arrêt |
| C) Lance | D) Écrou borgne |
| E) Joint plat | F) Harnais |
| G) Batterie | H) Chargeur de batterie |
| I) Buse à mousse (noire) | J) Buse réglable en poly |
| K) Buse à jet éventail large à débit faible (Rouge) | L) Buse à jet éventail étroit à débit faible (Jaune) |

ASSEMBLAGE

⚠ AVERTISSEMENT : RISQUE DE BLESSURES PERSONNELLES ET DE DOMMAGES MATÉRIELS DÉCOULANT D'UNE EXPOSITION À UNE SUBSTANCE CHIMIQUE. Après l'assemblage initial, toujours inspecter le pulvérisateur pour détecter tout dommage et effectuer un test avec de l'eau pure pour vérifier qu'il fonctionne adéquatement. Avant d'utiliser le pulvérisateur avec une substance chimique, s'assurer que toutes les connexions sont bien serrées et qu'il n'y a pas de fuite, également que le flexible n'est pas endommagé.

⚠ AVERTISSEMENT : Utiliser seulement les accessoires recommandés par le fabricant ou vendus par celui-ci.

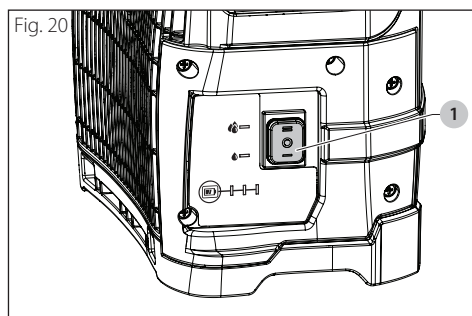
Contrôle du débit faible/élevé

Le débit peut être contrôlé de faible à élevé grâce au commutateur de style bascule (1).

Le réglage de haut débit utilise une tension nominale pour alimenter la pompe électrique à membrane à l'intérieur du pulvérisateur.

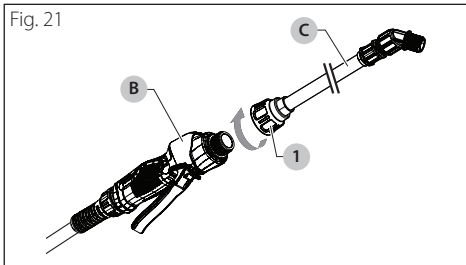
Dans le cas où vous désirez moins de pression ou un débit plus faible, le réglage de l'unité peut être fixé au réglage à faible intensité, réduisant la tension fournie à la pompe. Cette faible tension est constante et convient mieux à une pulvérisation précise si une faible dérive ou l'utilisation d'un produit chimique est nécessaire, car la pulvérisation et le débit demeureront uniformes pour toute la durée de l'application.

Consulter le « tableau de débit des buses » à la page 36.



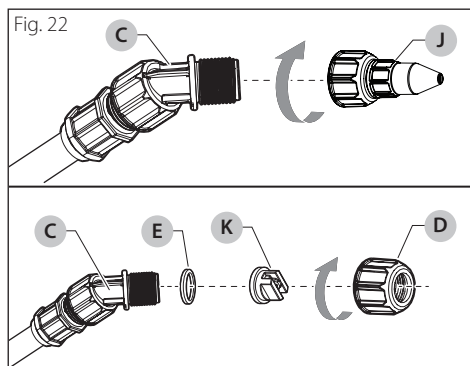
Assemblage du pulvérisateur

1. Installer la lance (C) dans l'assemblage d'arrêt (B) et serrer l'écrou (1) sur la lance (C) pour les raccorder.



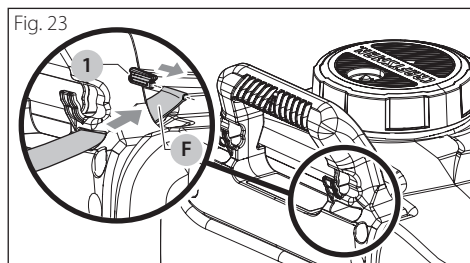
Fixation de la buse

Fixer la buse choisie (H à K) dans le bout de la lance (C) en utilisant un joint plat (E) au besoin, et bien serrer en utilisant l'écrou borgne (D).



Installation du harnais

1. Pour chacun des côtés du harnais (F), enlever les petites pinces en plastique (1) des deux boucles des courroies d'épaules et enfiler chaque boucle dans les emplacements prévus à cet effet en haut de la poignée du pulvérisateur.
2. Remplacer les pinces (1) à travers les boucles et tirer sur les courroies pour bien fixer les deux courroies du harnais (F) en place.

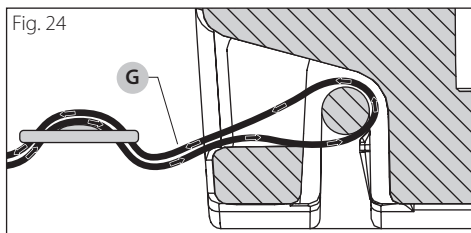


3. Insérer la courroie dans la découpe « arrière » de la base inférieure, sous la tige du harnais en acier. Tirer l'excédent de longueur pour permettre l'étape 2.

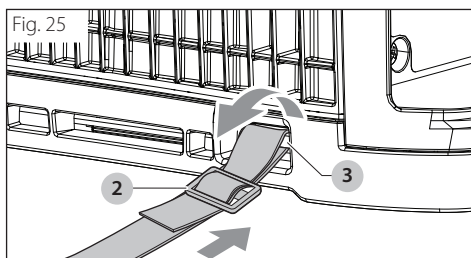
4. Faire passer l'excédent de courroie en dessous et en arrière par la découpe du « bas ». Veiller à ce que la courroie s'enroule sous la tige du harnais.
5. Lorsque la courroie est poussée, elle suit la surface incurvée de la base inférieure en plastique et revient vers l'extérieur à partir de la découpe « arrière ».
6. Tirer l'excédent de matériel pour le faire passer dans la première partie de la boucle.

REMARQUE : Si la courroie sort de la base inférieure lorsqu'elle est tirée par la boucle (ou avant), cela signifie que la courroie n'a pas été correctement enroulée autour de la tige du harnais, et les étapes 3 à 6 devront être répétées.

7. Passer la deuxième partie de la boucle au-dessus de la section inférieure de la courroie et l'ajuster en conséquence.
8. Harnais en position assemblée illustré à la Fig 24.



9. Passer la courroie dans la première section de la boucle (2). Ensuite, la passer dans l'autre section de la boucle (2) pour resserrer. Ajuster l'épaulière et la longueur de la courroie pour obtenir un soutien confortable.



MODE D'EMPLOI

⚠ AVERTISSEMENT : RISQUE DE BLESSURES PERSONNELLES DÉCOULANT D'UNE EXPOSITION À UNE SUBSTANCE CHIMIQUE. Utiliser l'équipement de protection individuelle (EPI) approprié comme recommandé par le fabricant de la substance chimique ou consulter la fiche signalétique de la substance chimique utilisée. L'EPI comprend au moins des lunettes de sécurité, des gants et des vêtements de protection.

⚠ AVERTISSEMENT : Pour réduire les risques de blessures personnelles graves, mettre l'appareil à l'ARRÊT et enlever le bloc-batterie avant d'effectuer tout ajustement ou d'enlever

ou d'installer tout accessoire ou pièce. Une mise en marche accidentelle de l'appareil peut causer des blessures.

AVIS : Le bloc-batterie n'est pas complètement chargé à la sortie de l'emballage. Avant d'utiliser le bloc-batterie et le chargeur, lire les directives de sécurité ci-dessous et suivre ensuite les procédures de chargement décrites.

Remplissage du pulvérisateur

⚠ DANGER : RISQUE DE DÉCÈS, DE BLESSURES GRAVES ET DE DOMMAGES MATÉRIELS DÉCOULANT DE L'UTILISATION D'UNE SUBSTANCE CHIMIQUE OU D'UN MÉLANGE INAPPROPRIÉ.

- Ne jamais utiliser des substances inflammables ou combustibles chimiques dans ce pulvérisateur. Pulvériser des substances chimiques combustibles ou inflammables peut créer des vapeurs combustibles qui pourraient s'enflammer et créer une explosion.
- Utiliser seulement des substances chimiques conçues pour la pulvérisation. Certaines substances chimiques peuvent créer une atmosphère toxique ou d'autres atmosphères dangereuses lorsqu'elles sont pulvérisées.
- Pour un mélange approprié et une application sécuritaire, toujours respecter les directives du fabricant concernant les substances chimiques et la fiche signalétique relative aux substances chimiques.

⚠ AVERTISSEMENT : Avant chaque utilisation, inspecter le pulvérisateur, le flexible, l'assemblage d'arrêt, la lance et toutes les connexions au cas où ces pièces seraient endommagées. Une connexion de flexible endommagée ou mal fixée peut occasionner une exposition accidentelle des substances chimiques pressurisées, entraînant des blessures graves ou des dommages matériels.

Avant de commencer

Effectuer un test du pulvérisateur avec de l'eau pure avant d'utiliser des substances chimiques, avant la première utilisation et après un entreposage prolongé.

Placer le pulvérisateur sur une surface stable et s'assurer qu'il est à l'arrêt.

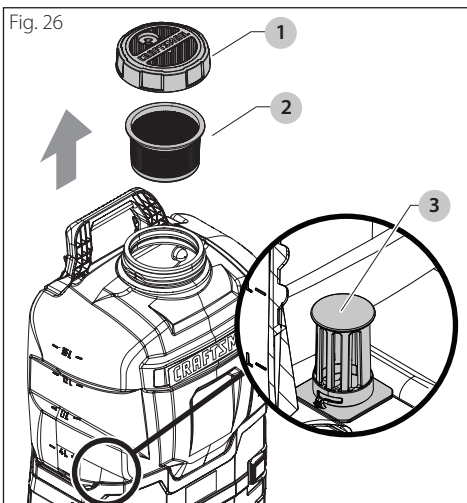
Enlever la batterie de son compartiment. Voir *Retrait de la batterie*.

Procédure de remplissage

1. Dévisser le capuchon (1) et le placer sur une surface propre où la saleté, la poussière, les résidus de coupe de pelouse ou autres débris ne s'y colleront pas.
2. Enlever le panier-filtre (2) et enlever tout débris. Placer le panier-filtre (2) sur une surface propre où la saleté, la poussière, les résidus de coupe de pelouse ou autres débris ne s'y colleront pas.

FRANÇAIS

3. Inspecter l'intérieur du réservoir pour en nettoyer les débris, le cas échéant.
4. S'assurer que le filtre intérieur du réservoir (3) est en place, que la maille est intacte et qu'il n'est pas bouché avec des débris. Voir *Entretien du filtre intérieur du réservoir*.
5. Veiller à ce que l'assemblage d'arrêt soit connecté au réservoir. Sinon, le liquide pourrait couler par la connexion ouverte.
6. Suivre les directives du fabricant de la substance chimique pour la préparation de la substance. Remplir le pulvérisateur en versant le liquide dans l'ouverture du haut à travers le panier-filtre jusqu'à l'atteinte de la quantité désirée selon les traits de gradation sur le côté du réservoir.
7. Nettoyer tout déversement, éclaboussure ou débordement de liquide sur le pulvérisateur.
8. Insérer la batterie selon les directives qui se trouvent à *Installation de la batterie*.



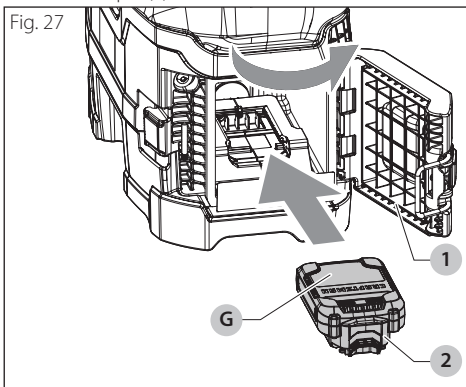
Installation de la batterie

⚠ AVERTISSEMENT : RISQUE DE FEU, DE BRÛLURE OU DE DÉCHARGES ÉLECTRIQUES. Pour réduire le risque d'incendie ou d'éclatement des batteries, utiliser uniquement des batteries CMCB202, CMCB204, CMCB206 et CMCB209 en bon état. Ne pas utiliser de batteries qui sont mouillées ou qui ont été endommagées.

⚠ AVERTISSEMENT : Empêcher toute pulvérisation involontaire. S'assurer que l'interrupteur est en position de mise à l'arrêt avant de connecter le bloc-batterie, de soulever le pulvérisateur ou de le transporter. Transporter le pulvérisateur en ayant vos doigts sur l'interrupteur ou mettre sous tension le pulvérisateur avec l'interrupteur à la position de marche, favorise les accidents.

⚠ ATTENTION : RISQUE DE PULVÉRISATION NON INTENTIONNELLE s'assurer que le pulvérisateur est à la position arrêt et que le levier d'arrêt est relâché avant d'insérer la batterie. Le pulvérisateur fonctionnera lorsque la batterie sera insérée si le pulvérisateur est à la position de mise en marche et que le levier d'arrêt est abaissé.

1. S'assurer que le pulvérisateur est sur une surface stable et à l'ARRÊT.
2. Ouvrir le compartiment à batterie en relâchant le loquet métallique fixé à la porte latérale, et faire pivoter la porte vers le côté.
3. Aligner la batterie (G) avec les rails à l'intérieur du compartiment à batterie et la glisser dans le compartiment jusqu'à ce que la batterie (G) soit fermement installée. S'assurer qu'elle ne bouge pas.
4. Fermer la porte et s'assurer que le loquet métallique (1) est bien fermé.



Retrait de la batterie.

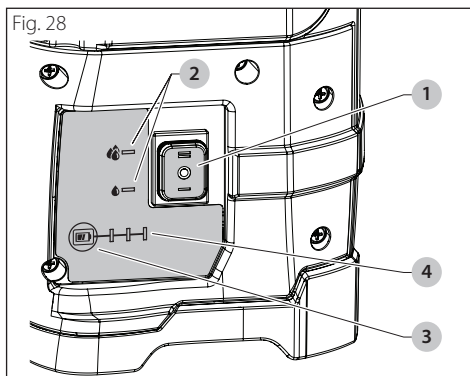
1. S'assurer que le pulvérisateur est sur une surface stable et à l'ARRÊT.
2. Ouvrir le compartiment à batterie en relâchant le loquet métallique fixé à la porte latérale, et faire pivoter la porte vers le côté.
3. Appuyer sur le bouton de dégageage de la batterie (2) et retirer la batterie du compartiment.
4. Fermer la porte et s'assurer que le loquet métallique (1) est bien fermé.

Voyant de charge de la batterie

1. Lorsque la batterie est installée, vous pouvez vérifier la charge de la batterie. Cette fonction est activée que l'appareil soit mis en marche ou à l'ARRÊT. L'interrupteur s'allume lorsqu'il est en MARCHE.
2. L'interface d'alimentation est munie d'un interrupteur basculant (1), d'un voyant à DEL blanc (1) qui sera allumé lorsque l'interrupteur est à la position de marche, d'un bouton-poussoir indicateur de batterie (3) et de voyants indicateurs (2), illustrés à la Fig 11.
3. Appuyer en continu sur le bouton de la batterie (3) pour allumer les voyants indicateurs (2).
4. Voyants indicateurs de la batterie :

- Trois voyants blancs indiquent : 100 % à 75 %.
- Deux voyants blancs indiquent : 74 % à 51 %.
- Un voyant blanc indique : 50 % à 25 %.
- Un voyant jaune indique : <25 %.

REMARQUE: Le voyant à DEL de la batterie peut indiquer une charge restante même si le pulvérisateur ne fonctionne pas.



Pulvérisation

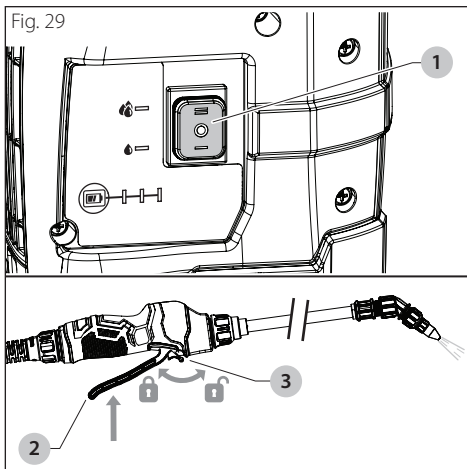
⚠ AVERTISSEMENT : RISQUE DE BLESSURES PERSONNELLES ET DE DOMMAGES MATÉRIELS CAUSÉS PAR LA PULVÉRISATION NON INTENTIONNELLE DE SUBSTANCES CHIMIQUES. S'assurer que le levier d'arrêt est relâché avant de mettre le pulvérisateur en marche. Lorsque le pulvérisateur est mis en position de marche, la pompe mettra le système sous pression et pulvérisera si le levier d'arrêt est abaissé.

AVIS : RISQUE DE DÉGÂTS MATÉRIELS. N'utiliser le pulvérisateur que par temps calme (aucun vent ou mouvement de l'air) afin d'empêcher la substance chimique pulvérisée d'atterrir sur des surfaces non ciblées.

- Mettre le bouton d'alimentation (1) en position ON pour mettre le pulvérisateur en MARCHÉ. Si le pulvérisateur n'a pas été utilisé récemment, un faible ronronnement peut être audible. Cela indique que la pompe est en marche et que la pression s'accumule dans le système.

REMARQUE: Si le pulvérisateur a été utilisé récemment et qu'il y a encore de la pression dans le système, la pompe peut ne pas se mettre en marche jusqu'à ce que le levier d'arrêt (2) soit pressé.

- Viser avec la lance dans la direction désirée et appuyer sur le levier d'arrêt (2).



Pour un jet continu, appuyer sur le levier d'arrêt (2) et tourner le loquet (3) dans le sens horaire pour maintenir le levier d'arrêt (2) dans la position abaissée.

- Au besoin, pour arrêter la pulvérisation, débarrer dans le sens antihoraire et relâcher le levier d'arrêt (2).
- Pour éteindre le pulvérisateur, mettre le bouton d'alimentation en position OFF (1).
- Toujours enlever toute substance chimique et nettoyer le pulvérisateur lorsque la pulvérisation est terminée. Voir les sections *Nettoyage* et *Entreposage* de ce manuel.

NETTOYAGE

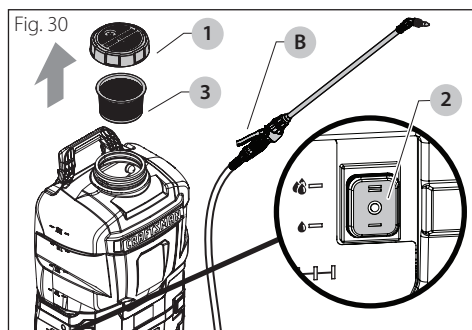
⚠ AVERTISSEMENT : Toujours relâcher la pression du pulvérisateur avant de le nettoyer. Le désassemblage du pulvérisateur qui est encore pressurisé peut entraîner l'éjection de composants à une vitesse élevée.

⚠ AVERTISSEMENT : RISQUE DE BLESSURES DÉCOULANT D'UNE EXPOSITION À UNE SUBSTANCE CHIMIQUE. Utiliser l'équipement de protection individuelle (EPI) approprié comme recommandé par le fabricant de la substance chimique ou consulter la fiche signalétique de la substance chimique utilisée. L'EPI comprend au moins des lunettes de sécurité, des gants et des vêtements de protection.

⚠ AVERTISSEMENT : RISQUE DE DOMMAGE AUX COMPOSANTS INTERNES. Si le pulvérisateur n'est pas bien rincé, des résidus de substances chimiques peuvent s'accumuler et boucher ou endommager les filtres, la pompe, l'assemblage d'arrêt, la lance et la buse. Les résidus de substances chimiques peuvent également contaminer les applications futures. Laisser des substances chimiques liquides dans le pulvérisateur lorsqu'il n'est pas utilisé peut entraîner une usure prématurée. Ne jamais entreposer le pulvérisateur s'il contient des substances chimiques dans n'importe quelle de ses pièces.

- S'assurer que le pulvérisateur est en position d'ARRÊT et enlever la batterie comme décrit à la section *Retrait de la batterie*.

2. Enlever le capuchon (1) et vider ce qui reste de substance chimique du réservoir dans un contenant qui convient pour une utilisation future ou mettre au rebut selon les directives du fabricant de la substance chimique.
3. Utiliser de l'eau propre pour rincer à fond et vider le réservoir jusqu'à ce que toute substance chimique et tout résidu soient éliminés.
4. Ajouter environ 1 litre d'eau propre dans le réservoir.
5. Insérer la batterie selon les directives de la section *Installation de la batterie* et appuyer sur le bouton d'alimentation (2) pour mettre le pulvérisateur en marche.
6. Faire passer de l'eau dans la pompe, le flexible, l'assemblage d'arrêt, la lance et la buse pendant au moins 30 secondes pour rincer ces composants. Ne pas rincer ces composants pour déloger les résidus de substances chimiques s'accumulent et bouchent ou endommagent les composants. Après une utilisation intense, rincer les buses pourrait ne pas être suffisant pour déloger les résidus. Les buses peuvent être mises à tremper ou nécessiter un nettoyage à l'aide d'une petite brosse.
7. Vider toute l'eau qui reste dans le réservoir, continuer ensuite à pulvériser jusqu'à ce qu'il n'y ait plus d'eau qui sorte de la buse. Cela indique que la majeure partie de l'eau a été retirée du système.
8. Appuyer sur le bouton d'alimentation (2) pour mettre le pulvérisateur à l'ARRÊT et enlever la batterie.
9. Presser le levier d'arrêt (B) pour relâcher toute pression qui serait encore dans le flexible.
10. Laisser le pulvérisateur sécher. Il est plus facile d'exécuter cette étape en enlevant le capuchon (1) et le panier-filtre (3) et en suspendant le pulvérisateur à l'envers pour qu'il puisse s'égoutter.
11. Lorsque le pulvérisateur est sec, le remettre à l'endroit et réinstaller le panier-filtre (3) et le capuchon (1) pour éviter que des débris entrent dans le réservoir.



Nettoyage du bloc-batterie

Nettoyer la saleté et la graisse qui se trouvent à l'extérieur de la batterie en utilisant un chiffon ou une brosse souple non métallique. Ne pas utiliser de l'eau ou tout agent de nettoyage.

⚠ AVERTISSEMENT : *Risque de brûlure. Ne pas plonger le bloc-batterie dans un liquide ou laisser un liquide pénétrer dans le bloc-batterie. Ne jamais essayer d'ouvrir un bloc-batterie pour une quelconque raison. Si le boîtier en plastique du bloc-batterie se brise ou se fissure, le renvoyer dans un centre de service pour recyclage.*

Directives de nettoyage du chargeur

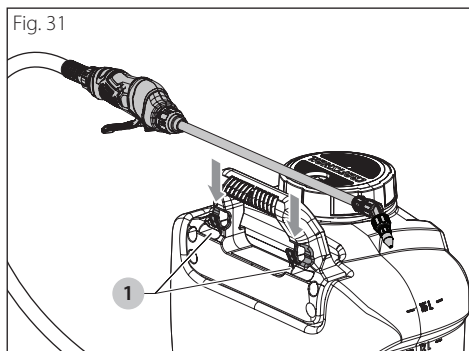
⚠ AVERTISSEMENT : *Risque de décharges électriques. Avant le nettoyage, déconnecter le chargeur de la prise c.a. La saleté et la graisse qui se trouvent à l'extérieur du chargeur peuvent être nettoyées à l'aide d'un chiffon ou d'une brosse souple non métallique. Ne pas utiliser de l'eau ou tout agent de nettoyage.*

PINCE D'ENTREPOSAGE VERTICAL DE LA LANCE

Muni d'une pince pour l'entreposage vertical de la lance (1) sur le côté du réservoir dans laquelle la lance peut être fixée. La pince pour l'entreposage vertical de la lance est utile pour l'entreposage, car cette façon de faire réduit l'espace nécessaire autour du pulvérisateur. La pince pour l'entreposage horizontal de la lance (2) est située sous la poignée du pulvérisateur sac à dos et peut également être utilisée.

RANGEMENT HORIZONTAL DE LA TIGE

Des pinces pour le rangement horizontal (1) de la tige sont situées sous la poignée du sac à dos.



ENTREPOSAGE

Entreposer le pulvérisateur et la batterie à l'intérieur dans un endroit sec et tempéré à l'écart de la lumière directe du soleil et loin de toute source d'humidité ou de chaleur intense. Ne pas entreposer le pulvérisateur où les températures descendent sous 0 °C ou 32 °F. Si l'eau gèle à l'intérieur du pulvérisateur, cela pourrait endommager la pompe, les joints, l'assemblage d'arrêt et autres composants, et annuler la garantie du pulvérisateur.

TRANSPORT

⚠ AVERTISSEMENT : RISQUE D'INCENDIE. Ne pas entreposer ou transporter le bloc-batterie alors que des objets de métal pourraient entrer en contact avec les bornes exposées de la batterie. Par exemple, ne pas placer le bloc-batterie dans un tablier, une poche, une boîte à outils, la boîte d'un ensemble du produit, un tiroir, etc., avec des clous, des vis, des clés, de la monnaie, des outils à main, etc.

Lors du transport de blocs-batteries individuels, s'assurer que les bornes de la batterie sont protégées et bien isolées des matériaux qui pourraient entrer en contact avec elles et ainsi causer un court-circuit.

REMARQUE : Le bloc-batterie aux ions de lithium ne doit pas être placé dans les bagages enregistrés à bord d'un avion et doit être adéquatement protégé de tout court-circuit s'il est dans un bagage en cabine.

ENTRETIEN

⚠ AVERTISSEMENT : Pour réduire les risques de blessures personnelles graves, mettre l'appareil à l'ARRÊT et enlever le bloc-batterie avant d'effectuer tout ajustement ou d'enlever ou d'installer tout accessoire ou pièce. Une mise en marche accidentelle peut entraîner des blessures.

⚠ AVERTISSEMENT : RISQUE DE BLESSURES PERSONNELLES ET DE DOMMAGES MATÉRIELS DÉCOULANT D'UNE EXPOSITION À UNE SUBSTANCE CHIMIQUE. Toujours s'assurer que toute substance chimique a été retirée du pulvérisateur et que ce dernier a été nettoyé avant tout entretien.

⚠ AVERTISSEMENT : Déconnecter le bloc-batterie du pulvérisateur avant d'effectuer tout ajustement, changer les accessoires ou entreposer le pulvérisateur. De telles mesures de prévention réduisent le risque de mise en marche accidentelle du pulvérisateur.

⚠ AVERTISSEMENT : RISQUE DE BLESSURES PERSONNELLES. Toujours relâcher la pression du pulvérisateur avant d'effectuer tout entretien. Le désassemblage du pulvérisateur qui est encore pressurisé peut entraîner l'éjection de composants à une vitesse élevée. S'assurer que le pulvérisateur est arrêté et presser le levier d'arrêt jusqu'à ce que toute pression soit relâchée.

Réparations

Aucune réparation ne peut être effectuée sur le chargeur et le bloc-batterie.

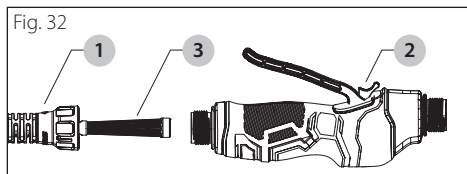
⚠ AVERTISSEMENT : Pour garantir la SÉCURITÉ et la FIABILITÉ du produit, les réparations, l'entretien et l'ajustement (y compris l'inspection et le remplacement de la brosse, le cas échéant) doivent être effectués par un centre de service de l'usine CRAFTSMAN ou un centre de service autorisé CRAFTSMAN.

AVERTISSEMENT : Toujours utiliser des pièces de remplacement identiques.

Entretien de l'assemblage d'arrêt

⚠ AVERTISSEMENT : Avant d'effectuer l'entretien, toujours dépressuriser le pulvérisateur en mettant le pulvérisateur à l'ARRÊT et en pressant le levier d'arrêt pour pulvériser jusqu'à ce que l'écoulement de liquide cesse.

1. Dévisser l'écrou du tuyau (1) de l'assemblage d'arrêt (2).
2. Retirer le flexible avec le filtre fixé (3) de l'assemblage d'arrêt (2).
3. Nettoyer tout débris qui se trouve à l'intérieur de l'assemblage d'arrêt (2) ou du filtre (3) en rinçant avec de l'eau froide et propre.
4. Assembler de nouveau les composants comme démonté et bien serrer toutes les connexions.
- 5.



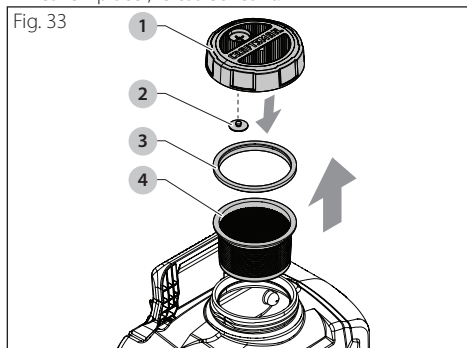
Entretien de la buse

⚠ AVERTISSEMENT : Avant d'effectuer l'entretien, toujours dépressuriser le pulvérisateur en s'assurant que l'alimentation est coupée et presser ensuite le levier d'arrêt pour pulvériser jusqu'à ce que l'écoulement de liquide cesse.

- Si la buse est bouchée, enlever et désassembler l'assemblage de la buse.
- Nettoyer les ouvertures de toute obstruction ou de tout résidu.
- Ne pas utiliser un outil pointu qui pourrait égratigner ou endommager les buses, car les différents jets pourraient être affectés.
- Ne pas frapper la buse contre les surfaces à déboucher.

Entretien du capuchon et du panier-filtre

- Vérifier la valve de vérification (2) sur le capuchon (1) et le joint du panier-filtre (3) sur le panier-filtre (4) pour s'assurer qu'ils ne montrent pas de signe d'usure et qu'ils fonctionnent adéquatement.
- Les remplacer, le cas échéant.



Entretien du filtre intérieur du réservoir

⚠ ATTENTION : RISQUE DE DOMMAGE AUX COMPOSANTS INTERNES. Ne pas faire fonctionner le pulvérisateur sans que le filtre intérieur du réservoir ne soit installé adéquatement. Sinon, des débris pourraient entrer dans la pompe et l'engorger ou l'endommager.

1. S'assurer que le pulvérisateur est en position d'ARRÊT et enlever la batterie comme décrit à la section *Retrait de la batterie*.
2. Enlever le capuchon et le panier-filtre. Rincer avec de l'eau propre pour enlever tout débris.
3. Placer le panier-filtre et le capuchon sur une surface propre où la saleté, la poussière, les résidus de coupe de pelouse ou autres débris ne s'y colleront pas.
4. Verser tout liquide provenant du réservoir dans un contenant approprié pour une utilisation future ou mettre aux rebuts selon les directives du fabricant de la substance chimique.
5. Rincer et vider le réservoir pour enlever tout débris, résidu ou saleté.
6. Atteindre le filtre à l'intérieur du réservoir (1) situé au bas du réservoir et le retirer délicatement.
7. Tourner le filtre intérieur du réservoir d'environ 1/8 de tour dans le sens horaire jusqu'à ce qu'il arrête de tourner et tirer vers le haut pour l'enlever du réservoir.

8. Nettoyer soigneusement le filtre en rinçant de l'intérieur vers l'extérieur. S'assurer de ne pas déchirer ou endommager la maille. Sinon, des débris pourraient entrer dans la pompe et l'engorger ou l'endommager.

REMARQUE : Si le filtre intérieur du réservoir est endommagé ou trop sale pour pouvoir le nettoyer, le remplacer avec un nouveau filtre d'intérieur du réservoir.

9. Pour réinstaller le filtre intérieur du réservoir, le replacer doucement sur la base du filtre au bas du réservoir et le tourner lentement jusqu'à ce que les languettes de sûreté à la base du filtre soient alignées avec les rainures dans le filtre. Le filtre à l'intérieur du réservoir s'abaissera d'environ 3 mm (1/8 po) lorsque les rainures sont alignées.
10. Pousser vers le bas sur le filtre intérieur du réservoir jusqu'à l'arrêt, environ un autre 6 mm (1/4 po), tourner ensuite le filtre intérieur du réservoir d'environ 3 mm (1/8 po) dans le sens horaire jusqu'à l'arrêt.

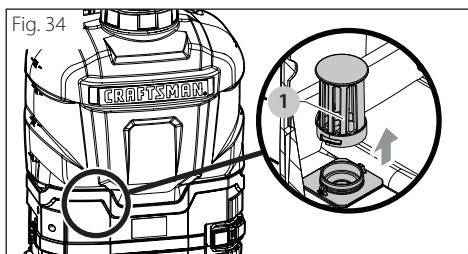


TABLEAU DE DÉBIT DES BUSES

AVIS : RISQUE DE DÉGÂTS MATÉRIELS. Toujours régler le débit à «LOW» lorsque vous utilisez une buse à faible débit.

AVIS : RISQUE DE DÉGÂTS MATÉRIELS. Si les recommandations qui se trouvent dans le tableau de débits des buses ne sont pas suivies, cela pourrait entraîner des dommages à la pompe et l'annulation de la garantie.

Buses incluses avec le produit

REMARQUE : La pression et le débit peuvent varier d'environ 10 %

Buse	Commutateur d'alimentation			
	Basse		Élevé	
	Débit (gal/min)	Pression (psi)	Débit (gal/min)	Pression (psi)
Moussant (Noire)	0.21	27	0.29	51
Éventail étroit à débit faible (Jaune)	0.22	20	0.32	42
Éventail large à débit faible (Rouge)	0.23	19	0.33	39
Poly réglable (jet droit)	0.26	10	0.39	24
Poly réglable (jet conique)	0.17	42	Non recommandé, car pourrait faire trop travailler et endommager la pompe lors d'une utilisation fréquente.	

REMARQUE : Toutes les valeurs représentent les calculs de pulvérisation d'eau ou d'un liquide ayant une viscosité semblable.

DÉPANNAGE

PROBLÈME	CAUSE	SOLUTION
Le pulvérisateur ne fonctionne pas (il n'y a pas de son de ronflement de la pompe).	S'assurer que la batterie est installée correctement.	Installer la batterie correctement. Voir <i>Installation de la batterie</i> .
	S'assurer que la batterie est chargée.	Charger la batterie. Voir <i>Chargement de la batterie</i> .
	La batterie peut être endommagée ou peut avoir surchauffé. Regarder s'il y a des dommages sur la batterie.	Remplacer la batterie si elle est endommagée ou ne fonctionne pas. Si la batterie a surchauffé, la laisser refroidir.
	Le flexible est pressurisé. La pompe s'est arrêtée automatiquement.	Presser le levier d'arrêt pour voir si le pulvérisateur démarre et la pompe se met en marche.
Le pulvérisateur se met en marche (la tête de la pompe émet un son de ronflement), mais il ne pulvérise pas.	Il n'y a pas de liquide dans le réservoir.	Ajouter du liquide dans le réservoir. Voir <i>Remplissage du réservoir</i> .
	Le levier d'arrêt est bouché.	Nettoyer le levier d'arrêt. Voir <i>Entretien de l'assemblage d'arrêt</i> .
	La buse est bouchée.	Nettoyer la buse. Voir <i>Entretien de la buse</i> .
	La pompe n'est pas amorcée.	Attendre au moins 30 secondes pour que la pompe s'amorce.
Le pulvérisateur se met en marche, mais ne pulvérise qu'avec une faible pression.	Le levier d'arrêt est bouché.	Nettoyer le levier d'arrêt. Voir <i>Entretien de l'assemblage d'arrêt</i> .
	La buse est bouchée.	Nettoyer la buse. Voir <i>Entretien de la buse</i> .
	La pompe n'est pas amorcée.	Attendre au moins 30 secondes pour que la pompe s'amorce.
La pompe ne s'amorce pas complètement.	Le niveau du liquide dans le réservoir est bas	Ajouter du liquide dans le réservoir. Voir <i>Remplissage du réservoir</i> .
	La pompe a fonctionné à sec (sans liquide) avant que le réservoir ne soit rempli.	S'assurer que le pulvérisateur est arrêté et presser le levier d'arrêt jusqu'à ce que toute pression soit relâchée.
	Des résidus ou accumulations de substances chimiques se trouvent dans le réservoir ou la pompe en raison d'un nettoyage inapproprié ou inadéquat.	Nettoyer le pulvérisateur. Voir <i>Nettoyage</i> . Au besoin, répéter avec un mélange d'eau tiède et de détergent doux. Laisser le mélange dans la pompe pendant au plus une heure avant de rincer. Au besoin, remplacer la pompe.
	Le filtre intérieur du réservoir est mal installé, n'est pas présent ou est endommagé permettant aux débris de pénétrer dans la pompe.	Nettoyer le pulvérisateur. Voir <i>Nettoyage</i> . Au besoin, répéter avec un mélange d'eau tiède et de détergent doux. Laisser le mélange dans la pompe pendant au plus une heure avant de rincer. Au besoin, remplacer la pompe.
Le flexible fuit au niveau du raccord avec le réservoir.	Le flexible est craqué, gonflé ou défectueux.	Remplacer l'assemblage d'arrêt.
	La connexion est endommagée.	Remplacer l'assemblage d'arrêt.

PROBLÈME	CAUSE	SOLUTION
Le flexible fuit au niveau de l'assemblage d'arrêt.	Le flexible est craqué, gonflé ou défectueux.	Remplacer l'assemblage d'arrêt.
	La connexion est endommagée.	Remplacer l'assemblage d'arrêt.
La buse coule lorsque le levier d'arrêt est relâché.	De la saleté ou des débris se trouvent dans le levier d'arrêt.	Nettoyer l'assemblage d'arrêt.
	Un joint torique ou un joint est endommagé dans l'assemblage d'arrêt.	Remplacer l'assemblage d'arrêt.
La pointe de la buse coule.	Le joint plat est manquant.	Installer un joint plat derrière la pointe de la buse. Voir <i>Assemblage</i> .
	Le joint plat est endommagé.	Remplacer le joint plat.
Le jet est faible.	La buse est partiellement bouchée.	Nettoyer la buse. Voir <i>Nettoyage</i> .
	La buse est endommagée.	Remplacer la buse.
L'appareil cesse brusquement de fonctionner.	Le bloc-batterie a atteint sa limite thermique maximale.	Laisser le bloc-batterie refroidir.
	La batterie est déchargée. Pour maximiser la durée de vie de la batterie, elle est conçue pour arrêter brusquement de fonctionner lorsque la charge est épuisée.	Placer la batterie sur le chargeur et la laisser recharger.
Le bloc-batterie ne charge pas.	Le bloc-batterie n'est pas bien inséré dans le chargeur.	Insérer le bloc-batterie dans le chargeur jusqu'à ce que le voyant rouge (charge) s'allume.
	Le chargeur n'est pas branché.	Brancher le chargeur dans une prise qui fonctionne.
	La température ambiante est trop chaude ou trop froide.	Déplacer le bloc-batterie dans un endroit où la température de l'air est au-dessus de 40 °F (4,5 °C) ou au-dessous de 104 °F (40 °C).
La batterie ne charge pas.	Aucun voyant ne s'allume sur le chargeur (n'est pas branché dans une prise).	Brancher le chargeur dans une prise.
	Aucun voyant ne s'allume sur le chargeur (branché dans une prise).	Vérifier si la prise fonctionne.
	Aucun voyant ne s'allume sur le chargeur (branché dans une prise et la prise fonctionne).	Remplacer le chargeur.
	Aucun voyant ne s'allume sur le chargeur (branché dans une prise et la prise fonctionne; nouvelle batterie ou batterie fonctionnelle insérée dans le chargeur).	Remplacer la batterie.
	Le voyant verte clignote sur le chargeur, mais un voyant rouge est également allumé (température de la batterie trop élevée pour une recharge sécuritaire).	Laisser la batterie refroidir.

Enregistrement en ligne

Merci de votre achat. Enregistrez votre produit dès maintenant pour :

- **ENTRETIEN AU TITRE DE LA GARANTIE :**
L'enregistrement de votre produit vous permettra d'obtenir un service au titre de la garantie plus efficace en cas de problème avec votre produit.
- **CONFIRMATION DE PROPRIÉTÉ :** En cas de sinistre, tel qu'un incendie, une inondation ou un vol, votre certificat de propriété servira de preuve d'achat.
- **POUR VOTRE SÉCURITÉ :** L'enregistrement de votre produit nous permettra de communiquer avec vous dans le cas peu probable où un avis de sécurité serait requis en vertu de la loi fédérale sur la sécurité des consommateurs.

Inscrivez-vous en ligne à l'adresse www.craftsman.com/register.

Garantie limitée de trois ans

CRAFTSMAN réparera ou remplacera sans frais tout appareil défectueux pour cause de défaut de matériau ou de main-d'œuvre sur une période de trois ans à partir de la date d'achat de l'outil (deux ans par les bloc-piles). Cette garantie ne couvre pas les pièces en panne pour cause d'abus ou d'usure normale de l'outil. Pour plus de détails au sujet de la couverture de la garantie et l'information de réparation sous garantie, visitez www.craftsman.com ou composez le **1-888-331-4569**. Cette garantie ne s'applique pas aux accessoires ou dommages causés par des réparations effectuées ou tentées par d'autres. CETTE GARANTIE REMPLACE TOUTES LES AUTRES, INCLUANT LES GARANTIES IMPLICITES DE LA QUALITÉ MARCHANDE ET L'APTITUDE POUR UN BUT PARTICULIER, ET EXCLUT TOUS LES DOMMAGES ACCIDENTELS OU CONSÉCUTIFS. Certaines provinces ne permettent pas de limitation sur la durée de la garantie implicite ou l'exclusion ou la limitation de dommages indirects, alors ces limitations peuvent ne pas s'appliquer à vous. Cette garantie vous donne des droits légaux particuliers et vous pouvez avoir d'autres droits qui varient selon les états ou les provinces.

Garantie sur les batteries et les chargeurs

2 ANS D'ENTRETIEN GRATUIT SUR LES BLOCS-BATTERIES CRAFTSMAN

CMCB201, CMCB2011

3 ANS D'ENTRETIEN GRATUIT SUR LES BLOCS-BATTERIES CRAFTSMAN

CMCB202, CMCB204, CMCB206, CMCB209

REMARQUE : La garantie de ce produit sera annulée si le bloc-piles a été altéré de quelque façon que ce soit. CRAFTSMAN ne peut être tenu responsable de tout dommage corporel causé par l'altération du produit et

pourra poursuivre toute fraude en matière de garantie dans toute l'étendue permise par la loi.

GARANTIE DE REMBOURSEMENT DE 90 JOURS

Si, pour quelque raison que ce soit, vous n'êtes pas entièrement satisfait du rendement de votre outil électrique, laser ou cloueur CRAFTSMAN, vous pouvez le retourner dans les 90 jours suivant la date d'achat, accompagné d'un reçu, pour un remboursement complet; aucune question ne vous sera posée.

REMPLACEMENT GRATUIT DES ÉTIQUETTES

D'AVERTISSEMENT : Si vos étiquettes d'avertissement deviennent illisibles ou sont manquantes, composez le **1-888-331-4569** pour un remplacement gratuit.

Fabriqué sous licence et distribué par :

The Fountainhead Group, Inc.
23 Garden Street
New York Mills, NY 13417 U.S.A.

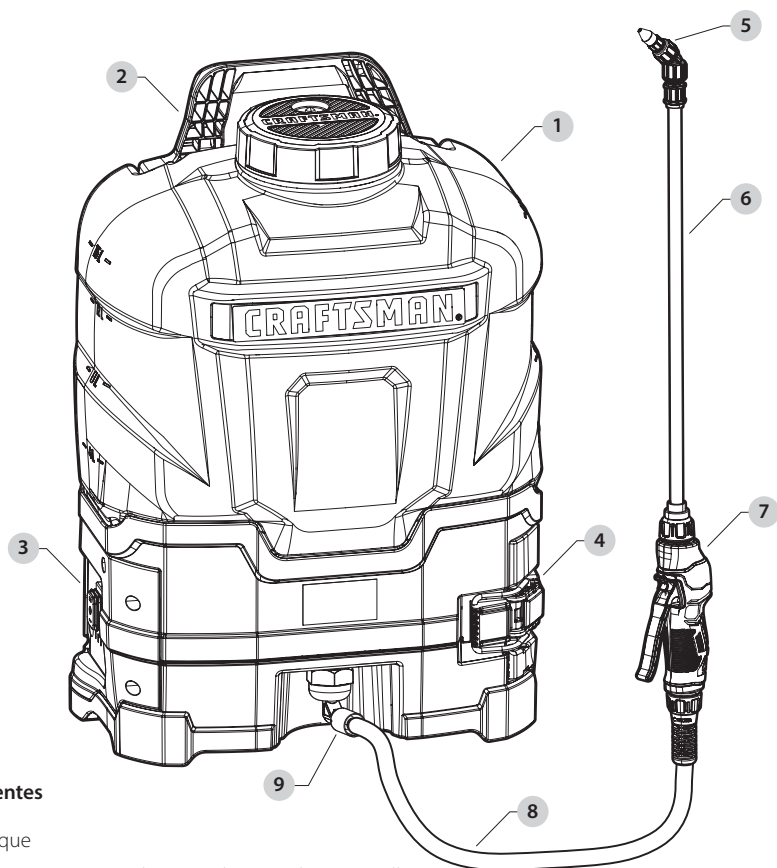
Tél. : (315) 736-0037

Courriel : Info@TheFGL.com

www.TheFountainheadGroup.com

Definiciones: Símbolos y palabras de alerta de seguridad

- ⚠ PELIGRO:** Indica una situación peligrosa inminente la cual, si no se evita, provocará la muerte o lesiones graves.
- ⚠ ADVERTENCIA:** Indica una posible situación peligrosa la cual, si no se evita, puede provocar la muerte o lesiones graves.
- ⚠ PRECAUCIÓN:** Indica una posible situación peligrosa la cual, si no se evita, podría provocar lesiones leves o moderadas.
- ⚠ Usado sin palabra indica un mensaje relacionado con la seguridad.**
- AVISO:** Indica una práctica no relacionada con las lesiones personales la cual, si no se evita, podría provocar daños a la propiedad.



Componentes

- 1 Tanque
- 2 Mango con soporte horizontal integrado para varilla
- 3 Control de flujo alto/bajo
- 4 Compartimento de batería sellado y resistente al agua
- 5 Boquilla de poly ajustable (también se incluyen boquillas de abanico)
- 6 Varilla plástica de uso pesado de 21 pulg
- 7 Apagado con empuñadura cómoda, bloqueo y filtro
- 8 Manguera de uso pesado resistente a torceduras
- 9 Conexión de manguera giratoria

⚠ ADVERTENCIA: Lea todas las advertencias de seguridad y todas las instrucciones. No cumplir con las advertencias e instrucciones puede provocar lesiones graves.

⚠ ADVERTENCIA: Para reducir el riesgo de lesiones, lea el manual de instrucciones.

INSTRUCCIONES IMPORTANTES DE SEGURIDAD

ANTES DE USAR EL PULVERIZADOR, LEA TODAS LAS INSTRUCCIONES

⚠ ADVERTENCIA: Al utilizar un pulverizador eléctrico, se deben seguir siempre las precauciones de seguridad básicas para reducir el riesgo de incendio, descarga eléctrica y lesiones, incluidas las siguientes:

- **No deje el pulverizador cuando esté conectado a la fuente de alimentación.** Retire la batería cuando no esté en uso y antes de realizar el mantenimiento.
- **No permita que el pulverizador se utilice como juguete.** Es necesario prestar mucha atención cuando lo utilicen niños o cerca de ellos.
- **Use este aparato solo como se describe en el manual.** Utilice solo los accesorios recomendados.
- **No utilice este pulverizador si de alguna manera muestra signos de mal funcionamiento.** Si el pulverizador no funciona correctamente, se ha caído, dañado, dejado al aire libre o se ha caído al agua, devuélvalo a un centro de servicio.
- Mantenga el cabello, la ropa suelta, los dedos y todas las partes del cuerpo alejados de las aberturas y las partes móviles.
- Apague todos los controles antes de desconectarlo de la fuente de alimentación.
- Tenga especial cuidado al limpiar en escaleras.

Instrucciones de seguridad adicionales

⚠ ADVERTENCIA: Lea todas las advertencias de seguridad y todas las instrucciones. El incumplimiento de las advertencias e instrucciones puede provocar descargas eléctricas, incendios y/o lesiones graves.

Para reducir el riesgo de lesiones:

- **Evite las condiciones ambientales peligrosas:** no utilice unidades eléctricas en lugares húmedos o mojados. No use la unidad bajo la lluvia.
- **Use la unidad adecuada:** no use esta unidad para ningún trabajo que no sea para el que está diseñada.
- **Mantenga a los niños, a otras personas y a los animales alejados** del área de trabajo a un mínimo de 30 pies (10 metros) de distancia cuando utilice la unidad.
- **Mantenga la unidad con cuidado.** Mantenga la unidad limpia para un tener un mejor rendimiento y más seguro. Siga las instrucciones para un mantenimiento adecuado.
- **Manténgase alerta:** preste atención a lo que hace. Use el sentido común. No utilice la unidad cuando esté cansado.
- **No** apunte el chorro del pulverizador a nadie, ni siquiera a usted mismo.
- **No** intente quitar las obstrucciones de la unidad sin antes quitar la batería.










- **No** sumerja ninguna parte de la unidad en líquido.
- **No** use la unidad si el interruptor no la enciende o apaga. Una unidad que no se puede controlar con el interruptor es peligrosa y debe repararse.
- **No se estire demasiado.** Mantenga una buena postura y equilibrio en todo momento.
- **Nunca deje el pulverizador en funcionamiento sin supervisión.** Apague el aparato.
- **Guarde las unidades que no se usen.** Cuando no esté en uso, la unidad debe almacenarse en un lugar seco, elevado o bajo llave, fuera del alcance de los niños.
- **Las instrucciones para baterías y cargadores compatibles se incluyen como referencia en este manual.** Lea todos los manuales de instrucciones incluidos con su batería o cargador. Lea todas las marcas de precaución en el cargador y la batería.
- **Desconecte la batería del pulverizador antes de hacer cualquier ajuste, cambiar los accesorios, dar servicio, mover o guardar la unidad.** Estas medidas de seguridad preventivas reducen el riesgo de rociado accidental.




Información de seguridad adicional

⚠ ADVERTENCIA: SIEMPRE use gafas de seguridad. Los anteojos de uso diario NO son gafas de seguridad. SIEMPRE UTILICE EQUIPO DE SEGURIDAD CERTIFICADO:

- Protección ocular ANSI Z87.1 (CAN / CSA Z94.3),
- **⚠ PRECAUCIÓN:** Cuando no esté en uso, coloque la herramienta de costado sobre una superficie estable donde no provoque un tropiezo o caída. Algunas herramientas que permanecen en posición vertical pueden volcarse fácilmente.

La etiqueta de su herramienta puede incluir los siguientes símbolos. Los símbolos y sus definiciones son los siguientes:

V	voltios		o AC... corriente alterna
Hz	hercios		o AC/DC... corriente alterna o continua
min	minutos	construcción de Clase II (doble aislamiento)
	o DCcorriente continua	n ₀ velocidad sin carga
 construcción de clase I (puesta a tierra)	n velocidad nominal
... /min	por minuto	 terminal de tierra
BPM	pulsaciones por minuto	 símbolo de alerta de seguridad
IPM	impactos por minuto	 radiación visible
RPM	revoluciones por minuto	 usar protección respiratoria

- sfpmpies de superficie por minuto  usar protección para los ojos
- SPMmovimientos por minuto  usar protección auditiva
- Aamperios  leer toda la documentación
- Wvatios

INSTRUCCIONES IMPORTANTES DE SEGURIDAD

⚠ PELIGRO: RIESGO DE MUERTE, LESIONES GRAVES Y/O DAÑOS A LA PROPIEDAD DEBIDO AL USO O LA MEZCLA DE SUSTANCIAS QUÍMICAS INDEBIDAS.

- Nunca use productos químicos inflamables o combustibles en este pulverizador. Rociar productos químicos inflamables o combustibles puede crear vapores combustibles que pueden encenderse y causar una explosión.
- Use solo los productos químicos indicados para aplicaciones de rociado. Algunos productos químicos pueden crear una atmósfera tóxica o peligrosa cuando se rocían.
- Consulte siempre las instrucciones del fabricante de los productos químicos y/o la hoja de datos de seguridad (SDS) de los productos químicos para una mezcla y aplicación seguras.

⚠ ADVERTENCIA: RIESGO DE LESIONES Y/O DAÑOS A LA PROPIEDAD DEBIDO A LA EXPOSICIÓN A PRODUCTOS QUÍMICOS.

- Lea y comprenda todo el manual de instrucciones antes de usar este pulverizador.
- Siga todas las instrucciones y precauciones del manual de instrucciones cuando utilice este pulverizador.
- Lea y siga todas las instrucciones y precauciones de la etiqueta del fabricante de los productos químicos que se utilicen en este pulverizador.
- Utilice el equipo de protección personal (EPP) adecuado según las recomendaciones del fabricante del producto químico y/o consulte la hoja de datos de seguridad (SDS) del producto químico que se utilizará. Esto incluye al menos gafas, guantes y ropa de protección. De no usar el EPP adecuado podría causar una exposición química a través del contacto con la piel o con los ojos, por inhalación u otros medios.
- Después del ensamblaje inicial, un almacenamiento prolongado o cualquier evento que pueda haberlo dañado, como una caída, inspeccione siempre si el pulverizador está dañado y pruebe con agua corriente si funciona correctamente. Asegúrese de que todas las conexiones estén firmes y no tengan fugas, y que la manguera no esté dañada, antes de usar el pulverizador con productos químicos.
- Inspeccione siempre las mangueras y las conexiones antes de cada uso. Una manguera dañada o conexiones flojas pueden causar una descarga sin control de los productos químicos a alta presión.

- No rocíe cerca de llamas expuestas, superficies calientes o cualquier cosa que podría vaporizar el líquido. De hacerlo, se podría generar una atmósfera química peligrosa.
- Nunca use sustancias cáusticas, cloro, ácidos, agua caliente o productos químicos que produzcan presión en este pulverizador.
- Mantenga el pulverizador y todos los productos químicos fuera del alcance de niños y mascotas.
- Rocíe solo cuando no haya viento ni brisa para evitar que el rociado del producto químico se desvíe hacia superficies no deseadas.
- Libere siempre la presión cuando el pulverizador no esté en uso y antes de realizar el mantenimiento.
- Nunca guarde productos químicos en el pulverizador.
- Almacene o deseche los productos químicos sin usar conforme a las instrucciones de sus respectivos fabricantes debido al potencial de daño ambiental por un derrame o fuga, y/o consulte los criterios de desecho a los que se hace referencia en la hoja de datos de seguridad (SDS).
- Limpie y enjuague el pulverizador después de cada uso para evitar la exposición no intencional a productos químicos y evitar contaminación en usos subsiguientes.
- Almacene el pulverizador en un lugar cálido, seco y sin polvo lejos de la luz solar directa.

⚠ ADVERTENCIA: RIESGO DE LESIONES Y/O DAÑOS A LA PROPIEDAD DEBIDO A LA RUPTURA Y/O DESCARGA SIN CONTROL DE PRODUCTOS QUÍMICOS LÍQUIDOS A ALTA PRESIÓN.

- Nunca modifique o altere el estado original del pulverizador. Nunca caliente ni modifique la manguera, la tuerca de la manguera o la lengüeta. Hacerlo podría debilitar los componentes y/o las conexiones.
- Use solo piezas de repuesto del fabricante original. Otras piezas de repuesto no son compatibles con este pulverizador.
- Nunca presurice el pulverizador con ningún dispositivo que no sea la bomba suministrada por el fabricante original. El uso de un compresor de aire u otro dispositivo no estándar para presurizar el tanque podría exceder la presión segura de funcionamiento del pulverizador.
- No levante, transporte o jale el pulverizador por la manguera, la válvula de cierre o la extensión de la varilla. Hacerlo podría debilitar los componentes y/o las conexiones. Lleve por el asa o el arnés solamente, asegurándose de que las conexiones estén bien aseguradas antes de levantar.
- Para reducir el riesgo de descarga eléctrica, no ponga el aparato en agua u otro líquido. No coloque ni guarde el aparato donde pueda caerse o ser empujado dentro de una bañera o lavabo.

GUARDE ESTAS INSTRUCCIONES

Información de seguridad adicional

⚠ ADVERTENCIA: No modifique nunca el pulverizador ni ninguna de sus partes. Podrían producirse daños o lesiones.

BATERÍAS Y CARGADORES

La batería no se entrega completamente cargada. Antes de utilizar la batería y el cargador, lea las instrucciones de seguridad que se indican a continuación y siga los procedimientos de carga que se indican. Cuando pida baterías de repuesto, asegúrese de incluir el número de catálogo y el voltaje.

Su herramienta utiliza un cargador CRAFTSMAN. Asegúrese de leer todas las instrucciones de seguridad antes de usar su cargador. Consulte la tabla al final de este manual para conocer la compatibilidad de cargadores y baterías.

Instrucciones de seguridad importantes para todas las baterías

⚠ ADVERTENCIA: Lea todas las advertencias de seguridad y todas las instrucciones de las baterías, el cargador y la herramienta eléctrica. El incumplimiento de las advertencias e instrucciones puede provocar descargas eléctricas, incendios y/o lesiones graves.

- **No cargue ni utilice la batería en atmósferas explosivas, como en presencia de líquidos, gases o polvo inflamables.** Insertar o quitar la batería del cargador puede encender el polvo o los vapores.
- **Nunca fuerce la batería en el cargador. NO modifique la batería de ninguna manera para que encaje en un cargador no compatible, ya que la batería puede romperse y causar lesiones graves.** Consulte la tabla al final de este manual para conocer la compatibilidad de cargadores y baterías.
- Cargue las baterías solo en los cargadores designados por CRAFTSMAN.
- **NO** salpique o sumerja en agua u otros líquidos.
- **No almacene ni utilice la herramienta y la batería en lugares donde la temperatura pueda alcanzar o superar los 104 °F (40 °C) (como cobertizos exteriores o edificios metálicos en verano).** Para obtener la mayor vida útil, guarde las baterías en un lugar fresco y seco.

NOTA: No guarde las baterías en una herramienta con el interruptor de gatillo bloqueado. No utilice nunca cinta adhesiva para mantener el interruptor en la posición de ENCENDIDO.

- **No incinere la batería, incluso si está muy dañada o completamente gastada.** La batería puede explotar al quemarse. Al quemarse, las baterías de iones de litio producen gases y materiales tóxicos.
- **No exponga una batería o herramienta al fuego o a una temperatura excesiva.** La exposición al fuego o temperaturas superiores a 265 °F (130 °C) puede provocar una explosión.
- **Si el contenido de la batería entra en contacto con la piel, lave inmediatamente el área con agua y jabón suave.** Si el líquido de la batería entra

en el ojo, enjuague con agua con el ojo abierto durante 15 minutos o hasta que cese la irritación. Si se necesita atención médica, el electrolito de la batería está compuesto por una mezcla de carbonatos orgánicos líquidos y sales de litio.

- **El contenido de las celdas de la batería abiertas puede causar irritación respiratoria.** Proporcione aire fresco. Si los síntomas persisten, busque atención médica.

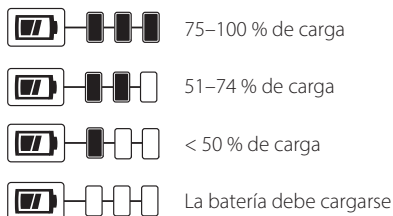
⚠ ADVERTENCIA: Peligro de quemaduras. El líquido de la batería puede ser inflamable si se expone a chispas o llamas.

⚠ ADVERTENCIA: Peligro de incendio. No intente abrir nunca la batería por ninguna razón. Si la carcasa de la batería está agrietada, no la inserte en el cargador. No aplaste, deje caer ni dañe la batería. No utilice una batería o cargador que hayan recibido un golpe fuerte, se hayan caído, hayan sido aplastados por un vehículo o se hayan dañado de alguna manera (por ejemplo, perforados con un clavo, golpeados con un martillo, pisados). Las baterías dañadas deben devolverse al centro de servicio para su reciclaje.

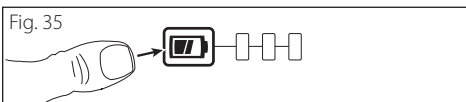
Baterías con indicador de carga

Algunas baterías CRAFTSMAN incluyen un indicador de carga que consta de tres luces LED que indican el nivel de carga restante en las baterías.

El indicador de carga es una indicación de los niveles aproximados de carga que quedan en las baterías de acuerdo con los siguientes indicadores:



Para activar el indicador de carga, mantenga presionado el botón del indicador de carga. Una combinación de las tres luces LED se iluminará para indicar el nivel de carga restante. Cuando el nivel de carga de la batería se encuentra por debajo del límite utilizable, el indicador de carga no se iluminará y será necesario recargar la batería.



NOTA: El indicador de carga sirve solo para indicar la carga que queda en las baterías. No indica la funcionalidad de la herramienta y está sujeto a variaciones según los componentes del producto, la temperatura y la aplicación del usuario final.

Para obtener más información sobre las baterías con indicador de carga, llame al 1-888-331-4569- o visite nuestro sitio web www.craftsman.com.

El sello RBRC®

El sello RBRC® (Rechargeable Battery Recycling Corporation) en las baterías de níquel cadmio, hidruro metálico de níquel o iones de litio (o de baterías) indica que CRAFTSMAN ya ha cubierto los costos de reciclar estas baterías (o juegos de baterías). En algunas zonas, es ilegal desechar las baterías de níquel cadmio, hidruro metálico de níquel o iones de litio en la basura o el sistema de desechos sólidos municipales. El programa Call 2 Recycle® ofrece una alternativa de eliminación respetuosa con el medio ambiente.

Call 2 Recycle, Inc., en cooperación con CRAFTSMAN y otros usuarios de baterías, ha establecido el programa en los Estados Unidos y Canadá para facilitar la recolección de baterías gastadas de níquel cadmio, hidruro metálico de níquel o iones de litio. Ayude a proteger nuestro medio ambiente y conservar los recursos naturales devolviendo las baterías de níquel cadmio, hidruro metálico de níquel o iones de litio a su distribuidor local para su reciclaje. También puede ponerse en contacto con su centro de reciclaje local para obtener información sobre dónde entregar las baterías gastadas. RBRC® es una marca registrada de Call 2 Recycle, Inc.



Transporte

⚠️ ADVERTENCIA: Peligro de incendio. No almacene o transporte el paquete de baterías de modo que las terminales expuestas puedan tocar objetos metálicos. Por ejemplo, no coloque el paquete de baterías en delantales, bolsillos, cajas de herramientas, cajas de productos, cajones, etc. donde haya clavos, tornillos, llaves, etc. El transporte de las baterías podría provocar incendios si las terminales de la batería accidentalmente entran en contacto con materiales conductores como llaves, monedas, herramientas o similares. Las Regulaciones sobre Materiales Peligrosos (HMR, por sus siglas en inglés) del Departamento de Transporte de EE. UU. prohíben transportar baterías en transportes comerciales y en equipaje de mano en aviones, EXCEPTO cuando tienen protección apropiada contra cortocircuitos. Así que, al transportar paquetes de baterías en lo individual, asegúrese de que las terminales de la batería estén protegidas y aisladas de los materiales que podrían entrar en contacto con ellas y provocar un cortocircuito. *NOTA: las baterías de iones de litio no deben colocarse en equipaje documentado.*

Instrucciones de seguridad importantes para todas las baterías

⚠️ ADVERTENCIA: Lea todas las advertencias de seguridad y todas las instrucciones de las baterías, el cargador y la herramienta eléctrica. El incumplimiento de las advertencias e instrucciones puede provocar descargas eléctricas, incendios y/o lesiones graves.

- **NO intente cargar la batería con otros cargadores que no sean los indicados en este manual.** El cargador y la batería están diseñados específicamente para que funcionen juntos.
- **Estos cargadores no están concebidos para ningún otro uso que no sea la carga de baterías recargables CRAFTSMAN.** Cualquier otro uso puede provocar un riesgo de incendio, descarga eléctrica o electrocución.
- **No exponga el cargador a la lluvia ni a la nieve.**
- **Tire del enchufe en lugar del cable al desconectar el cargador.** Esto reducirá el riesgo de que se dañe el enchufe eléctrico y el cable.
- **Asegúrese de que el cable esté ubicado de manera que no se pise, no cause tropiezos ni se someta a daños o tensiones.**
- **No use una extensión a menos que sea absolutamente necesario.** El uso de una extensión inadecuada podría provocar riesgo de incendio, descarga eléctrica o electrocución.
- **Cuando utilice un cargador al aire libre, hágalo siempre en un lugar seco y utilice una extensión adecuada para uso en exteriores.** El uso de un cable apto para uso en exteriores reduce el riesgo de ocasionar una descarga eléctrica.
- **La extensión debe ser del calibre adecuado (AWG o American Wire Gauge) por seguridad.** Cuanto menor sea el número de calibre del cable, mayor será la capacidad del cable, es decir, el calibre 16 tiene más capacidad que el calibre 18. Un cable de tamaño insuficiente causará una caída en el voltaje de la línea que provocará la pérdida de potencia y sobrecalentamiento. Cuando utilice más de una extensión para completar la longitud total, asegúrese de que cada extensión individual contenga por lo menos el tamaño mínimo de cable. La siguiente tabla muestra el tamaño correcto a utilizar dependiendo de la longitud del cable y el amperaje indicado en la placa de características. En caso de duda, use el siguiente calibre de más capacidad. Cuanto menor sea el número de calibre, mayor será la capacidad del cable.

Calibre mínimo para los juegos de cables

Voltaje		Longitud total del cable en pies (metros)			
120 V		25 (7.6)	50 (15.2)	100 (30.5)	150 (45.7)
240 V		50 (15.2)	100 (30.5)	200 (61.0)	300 (91.4)
Amperaje		AWG			
Más de	No más de				
0	6	18	16	16	14
6	10	18	16	14	12
10	12	16	16	14	12
12	16	14	12	No recomendado	

• **No coloque ningún objeto encima del cargador ni coloque el cargador sobre una superficie blanda que pueda bloquear las ranuras de ventilación y provocar un calor interno excesivo.**

Ponga el cargador en un lugar alejado de toda fuente de calor. El cargador se ventila a través de ranuras en la parte superior e inferior de la carcasa.

• **No utilice el cargador con un cable o enchufe dañado.**

• **No utilice el cargador si ha recibido un golpe fuerte, se ha caído o se ha dañado de alguna manera.** Llévelo a un centro de servicio autorizado.

• **No desmonte el cargador; llévelo a un centro de servicio autorizado cuando requiera mantenimiento o reparación.** El reensamblado incorrecto puede provocar un riesgo de descarga eléctrica, electrocución o incendio.

• **Desconecte el cargador de la toma de corriente antes de limpiarlo. Esto reducirá el riesgo de una descarga eléctrica.** Quitar la batería no reducirá este riesgo.

• **NUNCA** intente conectar dos cargadores juntos.

• **El cargador está diseñado para funcionar con energía eléctrica doméstica estándar de 120 V. No intente utilizarlo con ningún otro voltaje.**

Esto no es aplicable al cargador para vehículos.

⚠ ADVERTENCIA: Riesgo de descarga. No permita que ningún líquido entre en el cargador. Puede producirse una descarga eléctrica.

⚠ ADVERTENCIA: Peligro de quemaduras. No sumerja la batería en ningún líquido ni permita que ningún líquido entre en la batería. No intente abrir nunca la batería por ninguna razón. Si la carcasa de plástico de las baterías se rompe o agrieta, devuélvala a un centro de servicio para su reciclaje.

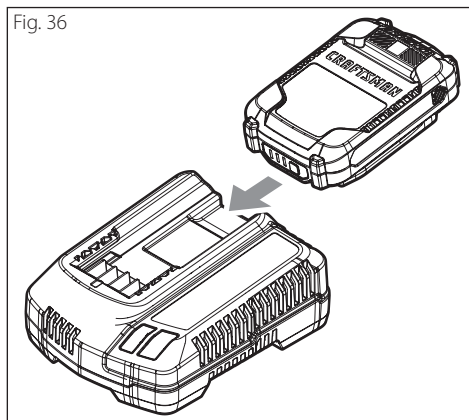
⚠ PRECAUCIÓN: Peligro de quemaduras. Para reducir el riesgo de lesiones, cargue solo las baterías recargables CRAFTSMAN. Otros tipos de baterías pueden sobrecalentarse y reventarse y provocar lesiones personales y daños a la propiedad.

AVISO: En ciertas circunstancias, con el cargador enchufado a la fuente de alimentación, este puede sufrir un cortocircuito debido a materiales extraños. Los materiales extraños de naturaleza conductora, tales como, entre otros, polvo de esmerilado, virutas de metal, lana de acero, papel de aluminio o cualquier acumulación de partículas metálicas, deben mantenerse alejados de los puertos de carga del cargador. Desconecte siempre el cargador de la fuente de alimentación cuando no haya una batería puesta. Desenchufe el cargador antes de intentar limpiarlo.

Carga de la batería

1. Enchufe el cargador en una toma de corriente apropiada antes de insertar la batería.
2. Inserte la batería en el cargador, asegurándose de que quede completamente asentada en este. La luz verde (cargando) parpadeará continuamente para indicar que el proceso de carga ha comenzado.
3. La finalización de la carga se mostrará por la luz verde que permanece encendida de forma fija. La batería está completamente cargada y puede usarse en este momento o dejarse en el cargador. Para quitar la batería del cargador, presione el botón de liberación de la batería y a continuación deslicela para sacarla.

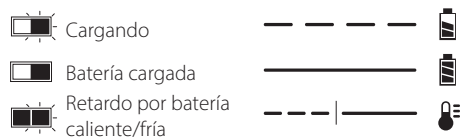
Fig. 36



NOTA: Para garantizar el máximo rendimiento y vida útil de las baterías de iones de litio, cárguelas por completo antes del primer uso. Funcionamiento del cargador

Funcionamiento del cargador

Consulte los indicadores a continuación para conocer el estado de carga de la batería.



* La luz verde seguirá parpadeando, pero un indicador rojo se iluminará durante esta operación. Una vez que la batería haya alcanzado la temperatura adecuada, la luz roja se apagará y el cargador reanudará el proceso de carga.

Los cargadores compatibles no cargarán una batería defectuosa. El cargador indicará la batería defectuosa negándose a encender.

NOTA: Esto también podría significar que el cargador tiene un problema. Si el cargador indica que hay un problema, lleve el cargador y la batería para que los revisen en un centro de servicio autorizado.

Retardo por batería caliente/fría

Cuando el cargador detecta una batería que está demasiado caliente o demasiado fría, automáticamente inicia un Retardo por batería caliente/fría, suspendiendo la carga hasta que la batería haya alcanzado la temperatura adecuada. El cargador cambia entonces automáticamente al modo de carga de batería. Esta función asegura la máxima duración de la batería.

Una batería fría puede cargarse a un ritmo más lento que una batería caliente. La batería se cargará a esa velocidad más lenta durante todo el ciclo de carga y no volverá a la velocidad máxima de carga incluso si la batería se calienta.

El cargador DCB118 está equipado con un ventilador interno diseñado para enfriar la batería. El ventilador se encenderá automáticamente cuando se necesite enfriar la batería.

Nunca utilice el cargador si el ventilador no funciona correctamente o si las ranuras de ventilación están bloqueadas. No permita la entrada de objetos extraños en el interior del cargador.

Sistema de protección electrónica

Las herramientas con baterías de iones de litio están diseñadas con un sistema de protección electrónica que protege la batería contra la sobrecarga, sobrecalentamiento o descarga completa.

La herramienta se apagará automáticamente si se activa el sistema de protección electrónica. De ser el caso, coloque la batería de iones de litio en el cargador hasta que esté completamente cargada.

Montaje en la pared

Estos cargadores están diseñados para montarse en la pared o para descansar en posición vertical sobre una mesa o superficie de trabajo. Si lo monta en la pared, ubique el cargador cerca de una toma de corriente y lejos de una esquina u otras obstrucciones que puedan impedir el flujo de aire. Utilice la parte posterior del cargador como plantilla para la ubicación de los tornillos de montaje en la pared. Monte el cargador de forma segura con tornillos para paneles de yeso (se compran por separado) de al menos 1" (25.4 mm) de largo, con un diámetro de cabeza de tornillo de 0.28 a 0.35" (7 a 9 mm), atornillados a la madera a una profundidad óptima, dejando aproximadamente 7/32" (5.5 mm) del tornillo expuesto. Alinee las ranuras en la parte posterior del cargador con los tornillos expuestos y encájelos completamente en ellas.

VersaTrack™

Los cargadores CRAFTSMAN pueden montarse en la pared con VersaTrack™Trackwall de CRAFTSMAN. Los ganchos y accesorios se venden por separado. Consulte la hoja de accesorios VersaTrack™Trackwall para obtener más información.

Instrucciones de limpieza del cargador

⚠ ADVERTENCIA: Riesgo de descarga. Desconecte el cargador de la toma de corriente antes de limpiarlo. La suciedad y la grasa pueden eliminarse del exterior del cargador con un paño o un cepillo suave no metálico. No use agua ni ninguna solución de limpieza.

Observaciones importantes sobre la carga

- Se puede obtener una vida útil más prolongada y un mejor rendimiento si la batería se carga a una temperatura ambiente entre 65 °F y 75 °F (18 ° - 24 °C). NO cargue la batería a una temperatura inferior a +40 °F (+4.5 °C) ni superior a +104 °F (+40 °C). Esto es importante y evitará daños graves a la batería.
- El cargador y la batería pueden sentirse calientes al tacto durante la carga. Esto es normal y no indica ningún problema. Para facilitar el enfriamiento de la batería después del uso, evite colocar el cargador o la batería en un entorno cálido como un cobertizo de metal o un remolque sin aislamiento.
- Si la batería no se carga correctamente:
 - Compruebe el funcionamiento de la toma de corriente enchufando una lámpara u otro aparato.
 - Compruebe si la toma de corriente está conectada a un interruptor que corte la alimentación eléctrica al accionarlo.

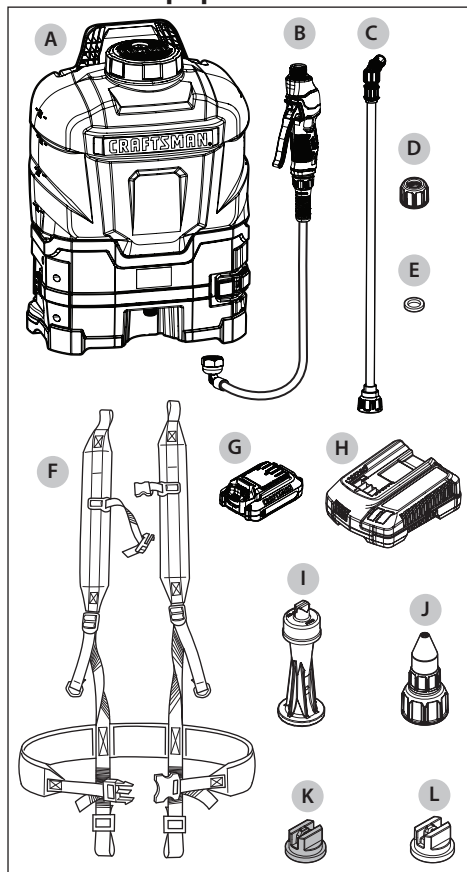
- c. Mueva el cargador y la batería a un lugar donde la temperatura del aire circundante sea aproximadamente de 65 °F a 75 °F (18 °C a 24 °C).
 - d. Si los problemas de carga persisten, lleve el producto, la batería y el cargador a su centro de servicio local.
4. La batería debe recargarse cuando no produzca suficiente energía en trabajos que antes se realizaban con facilidad. NO SIGA utilizándola en estas condiciones. Siga el procedimiento de carga. También puede cargar la batería parcialmente usada cuando lo desee sin ningún efecto adverso en ella.
 5. Los materiales extraños de naturaleza conductora, tales como, entre otros, polvo de esmerilado, virutas de metal, lana de acero, papel de aluminio o cualquier acumulación de partículas metálicas, deben mantenerse alejados de los puertos de carga del cargador. Desconecte siempre el cargador de la fuente de alimentación cuando no haya una batería puesta. Desenchufe el cargador antes de intentar limpiarlo.
 6. No congele ni sumerja el cargador en agua ni en ningún otro líquido.

Recomendaciones para el almacenamiento

1. El mejor lugar para el almacenamiento es uno que sea fresco y seco, alejado de la luz solar directa y del exceso de calor o frío.
2. Para un almacenamiento prolongado, se recomienda almacenar la batería completamente cargada en un lugar fresco y seco lejos del cargador para obtener resultados óptimos.

NOTA: Las baterías no deben almacenarse completamente descargadas. La batería deberá recargarse antes de su uso.

Contenido del paquete



- | | |
|---|--|
| A) Pulverizador | B) Conjunto de cierre |
| C) Varilla | D) Tuerca de sombrerete |
| E) Junta plana | F) Arnés |
| G) Batería | H) Cargador de batería |
| I) Boquilla de espuma (negra) | J) Boquilla de poly ajustable |
| K) Boquilla de abanico ancho de bajo volumen (roja) | L) Boquilla de abanico estrecho de bajo volumen (amarilla) |

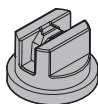
Funcionalidad y usos de la boquilla

Boquilla de espuma (negra)



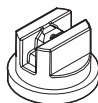
- Marca visiblemente las malas hierbas tratadas cuando se usa con herbicidas o surfactantes.
- Rociado localizado de malas hierbas en pasto o alrededor de arriates, árboles y arbustos.
- Bordeado de cercas, entradas para vehículos y caminos.

Boquilla de abanico ancho de bajo volumen (roja)



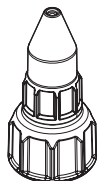
- Reemplazo del césped. Elimina el césped y las malas hierbas antes de plantar un nuevo césped.
- Preparación de áreas grandes para plantar plantas ornamentales y huertos.

Boquilla de abanico estrecho de bajo volumen (amarilla)



- Rociado de precisión en áreas como jardines y arriates.

Boquilla de Poly ajustable



- Rociado focalizado en arriates, caminos, entradas para vehículos y patios, alrededor de árboles y arbustos.
- Bordeado de cercas, entradas para vehículos y caminos.
- Eliminación de arbustos como hiedra venenosa, roble venenoso, kudzu y mora silvestre.

ENSAMBLAJE

⚠ ADVERTENCIA: RIESGO DE LESIONES Y/O DAÑOS A LA PROPIEDAD DEBIDO A LA EXPOSICIÓN A PRODUCTOS QUÍMICOS. Después del ensamblaje inicial, inspeccione siempre si el pulverizador está dañado y pruebe con agua corriente para verificar el funcionamiento correcto. Asegúrese de que todas las conexiones estén firmes y no tengan fugas, y que la manguera no esté dañada, antes de usar el pulverizador con productos químicos.

⚠ ADVERTENCIA: Solo use accesorios recomendados por el fabricante.

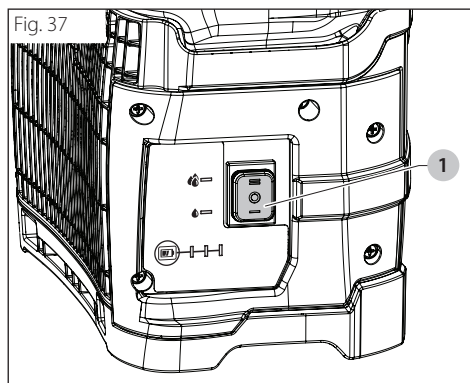
Control de flujo alto/bajo

Puede controlar el flujo cambiando la configuración entre alto y bajo en el interruptor de dos posiciones (1).

La configuración alta usa el voltaje nominal de la batería para activar la bomba eléctrica de diafragma dentro del rociador.

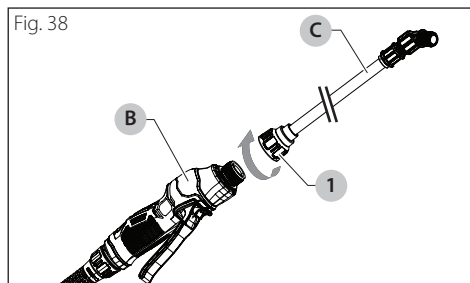
Cuando desee una presión o flujo más bajos, puede cambiar la unidad a la configuración baja, con lo que reducirá el voltaje que se suministra a la bomba. Este voltaje bajo es constante y es más apropiado para el rociado de precisión cuando se necesite menor dispersión de sustancia química, ya que el patrón de rociado y la tasa de flujo no cambiarán durante la aplicación.

Consulte la "Tabla de caudal de las boquillas" en la página 55.



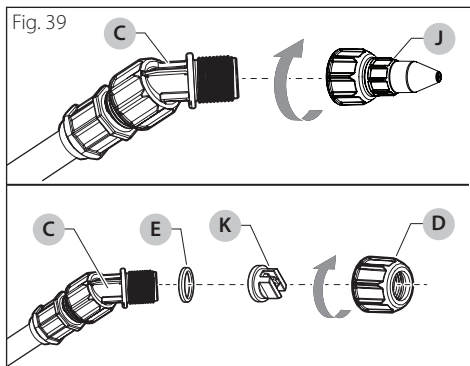
Ensamblaje del pulverizador

1. Instale la varilla (C) en el conjunto de cierre (B) y apriete la tuerca (1) en la varilla (C) para asegurarlos.



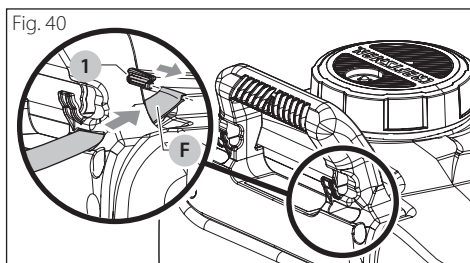
Conexión de una boquilla

Fije la boquilla seleccionada (H - K) al extremo de la varilla (C) con un sello plano (E) de ser necesario, y apriete bien con la tuerca de sombrerete (D).



Instalación del arnés

1. En cada lado del arnés (F), retire los pequeños clips de plástico (1) de los dos bucles de la correa para el hombro y pase cada bucle por las ranuras en la parte superior del asa del pulverizador.
2. Vuelva a colocar los clips (1) a través de los bucles y tire de la correa que sujeta las dos correas del arnés (F) en su lugar.

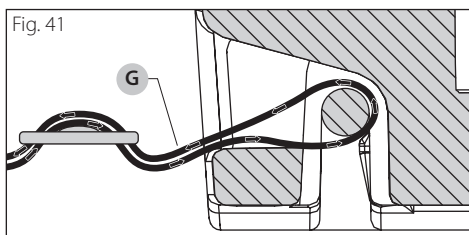


3. Inserte la correa en el corte "trasero" de la base inferior debajo de la varilla de acero del arnés. Tire de la correa sobrante para permitir continuar con el paso 2.
4. Pase la correa sobrante por debajo y hacia atrás a través del corte "inferior". Asegúrese de que la correa pase por debajo de la varilla del arnés.
5. A medida que se empuja la correa, seguirá la superficie curva de la base inferior de plástico y volverá hacia afuera a través del corte "trasero".
6. Tire del material sobrante de forma que vuelva a pasar a través de la primera sección de la hebilla.

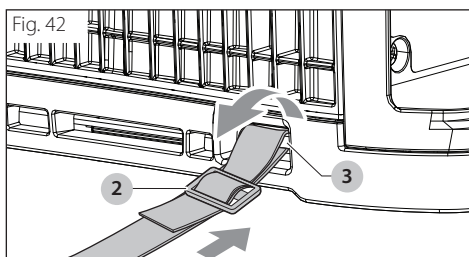
NOTA: Si la correa sale directamente de la base inferior al pasarla por la hebilla (o antes), quiere decir que la correa no se colocó correctamente alrededor de la varilla del arnés y es necesario repetir los pasos 3 a 6.

7. Pase la segunda parte de la hebilla por encima de la sección inferior de la correa y ajuste en consecuencia.

8. Arnés en posición ensamblada como se muestra en la Fig 41.



9. Pase la correa por la primera sección de la hebilla (2). A continuación, pase la correa por la otra sección de la hebilla (2) para apretarla. Ajuste las hebilleras y la longitud de las correas para un ajuste cómodo.



FUNCIONAMIENTO

- ⚠ **ADVERTENCIA: RIESGO DE LESIONES DEBIDO A LA EXPOSICIÓN A PRODUCTOS QUÍMICOS.** Utilice el equipo de protección personal (EPP) adecuado según las recomendaciones del fabricante del producto químico y/o consulte la hoja de datos de seguridad (SDS) del producto químico que se utilizará. Esto incluye al menos gafas, guantes y ropa de protección.
- ⚠ **ADVERTENCIA:** Para reducir el riesgo de lesiones graves, apague la unidad y quite la batería antes de realizar cualquier ajuste o de retirar o instalar accesorios. Una puesta en marcha accidental puede causar lesiones.

AVISO: La batería no se entrega completamente cargada. Antes de utilizar la batería y el cargador, lea las instrucciones de seguridad que se indican a continuación y siga los procedimientos de carga que se indican.

Llenado del pulverizador

- ⚠ **PELIGRO: RIESGO DE MUERTE, LESIONES GRAVES Y/O DAÑOS A LA PROPIEDAD DEBIDO AL USO O LA MEZCLA DE SUSTANCIAS QUÍMICAS INDEBIDAS.**

- Nunca use productos químicos inflamables o combustibles en este pulverizador. Rociar productos químicos inflamables o combustibles puede crear vapores combustibles que pueden encenderse y causar una explosión.

ESPAÑOL

- Use solo los productos químicos indicados para aplicaciones de rociado. Algunos productos químicos pueden crear una atmósfera tóxica o peligrosa cuando se rocían.
- Consulte siempre las instrucciones del fabricante de los productos químicos y/o la hoja de datos de seguridad (SDS) de los productos químicos para una mezcla y aplicación seguras.

⚠ ADVERTENCIA: *Inspeccione el pulverizador, la manguera, el cierre, la varilla y todas las conexiones para descartar daños antes de cada uso. Una conexión de manguera dañada o suelta puede dar lugar a una exposición involuntaria a los productos químicos presurizados, lo que provocará lesiones graves o daños a la propiedad.*

Antes de empezar

Pruebe el pulverizador con agua corriente antes de usarlo con productos químicos, antes de su uso inicial y después de un almacenamiento prolongado.

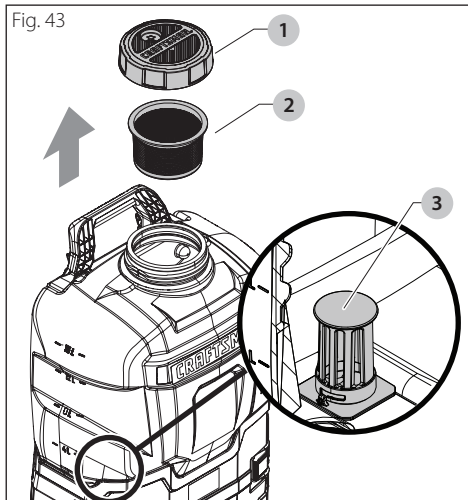
Coloque el pulverizador en una superficie estable y asegúrese de que esté apagado.

Retire la batería del compartimiento de la batería. Ver *Retirar batería*.

Procedimiento de llenado

1. Desenrosque la tapa (1) y colóquela sobre una superficie limpia en la que no se acumule suciedad, polvo, recortes de hierba u otros desechos.
2. Retire la cesta del filtro (2) y retire cualquier residuo. Coloque la cesta del filtro (2) sobre una superficie limpia en la que no se acumule suciedad, polvo, recortes de hierba u otros desechos.
3. Inspeccione el interior del tanque en busca de suciedad y límpielo si es necesario.
4. Compruebe que el filtro del depósito (3) está en su sitio, que la malla está intacta y que no está obstruida por suciedad. Ver *Mantenimiento del filtro del tanque*.
5. Asegúrese de que el conjunto de cierre (B) esté conectado al tanque. De lo contrario, saldrá líquido por la conexión abierta.
6. Siga las instrucciones del fabricante del producto químico para prepararlo. Llene el pulverizador vertiendo el líquido en la abertura superior y a través de la cesta del filtro, hasta alcanzar el volumen deseado, guiándose con las marcas de volumen en el lateral del tanque.
7. Limpie todos los derrames, salpicaduras o desbordamientos de líquido en el pulverizador.

8. Inserte la batería de acuerdo con las instrucciones en la sección *Instalación de la batería*.



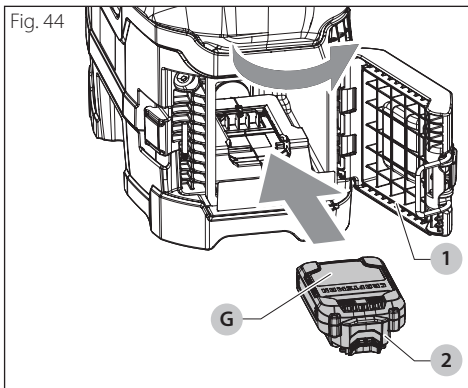
Instalación de la batería

⚠ ADVERTENCIA: *RIESGO DE INCENDIO, QUEMADURAS O DESCARGA ELÉCTRICA. Para reducir el riesgo de incendio o explosión de la batería, utilice solo las baterías CMCB202, CMCB204, CMCB206, CMCB209 que estén en buenas condiciones. No utilice baterías que estén mojadas o que se hayan dañado.*

⚠ ADVERTENCIA: *Evite el rociado involuntario. Asegúrese de que el interruptor esté en la posición de apagado antes de conectar la batería, levantar o transportar el pulverizador. Llevar el pulverizador con el dedo en el interruptor o activar el pulverizador con el interruptor encendido puede provocar accidentes.*

⚠ PRECAUCIÓN: *RIESGO DE ROCIADO INESPERADO. Asegúrese de que el pulverizador esté apagado y de que la palanca de cierre no esté presionada antes de insertar la batería. El pulverizador rociará al insertar la batería si está encendido y la palanca de cierre presionada.*

1. Asegúrese de que el pulverizador esté apagado y sobre una superficie estable.
2. Abra el compartimiento de la batería liberando el pestillo metálico de la puerta lateral y abra la puerta lateralmente.
3. Alinee la batería (G) con los rieles dentro del compartimiento de la batería y deslícela para insertarla en el compartimiento hasta que la batería (G) esté firmemente asentada. Asegúrese de que no se desenganche.
4. Cierre la puerta y asegúrese de que el pestillo metálico de la puerta (1) esté enganchado.
- 5.



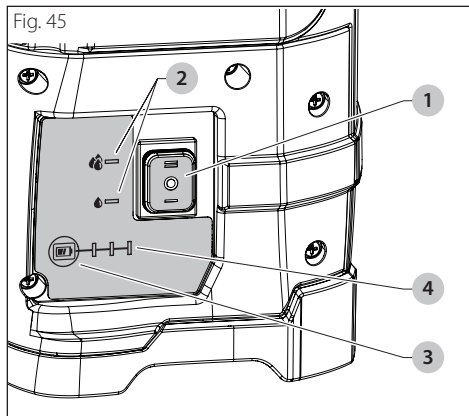
Retirar la batería

1. Asegúrese de que el pulverizador esté apagado y sobre una superficie estable.
2. Abra el compartimento de la batería liberando el pestillo metálico de la puerta lateral y abra la puerta lateralmente.
3. Presione el botón de liberación de la batería (2) y retirela del compartimiento.
4. Cierre la puerta y asegúrese de que el pestillo metálico de la puerta (1) esté enganchado.

Indicador de carga de la batería

1. Cuando la batería está instalada, puede verificar la carga de la misma. Esta función está activa tanto si el dispositivo está encendido como apagado. El interruptor se ilumina cuando está en ENCENDIDO.
2. La interfaz de alimentación tiene un interruptor de tipo basculante (1), un LED blanco que se enciende cuando hay alimentación, un botón pulsador indicador de la batería (3) y luces indicadoras (2) como se muestra en la figura 11.
3. Mantenga presionado el botón indicador de la batería (3) para encender las luces indicadoras (2).
4. Luces indicadoras de la batería:
 - a. Tres luces blancas indican: 100%–75 %.
 - b. Dos luces blancas indican: 74 %–51 %.
 - c. Una luz blanca indica: 50 %–25 %.
 - d. Una luz amarilla indica: <25 %.

NOTA: El LED de la batería aún puede mostrar una carga restante aunque el pulverizador no funcione.

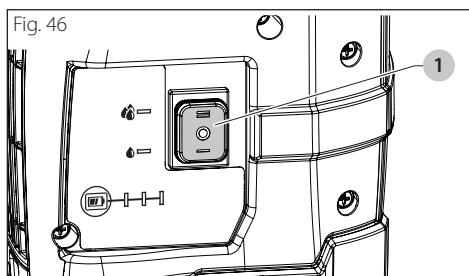


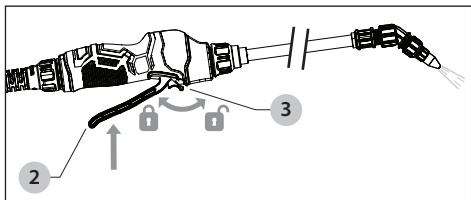
Rociado

⚠ ADVERTENCIA: RIESGO DE LESIONES PERSONALES Y/O DAÑOS A LA PROPIEDAD DEBIDO AL ROCIADO NO DESEADA DE PRODUCTOS QUÍMICOS. Asegúrese de que la palanca de cierre está libre antes de encender el pulverizador. Una vez encendido, la bomba presurizará el sistema y pulverizará si la palanca de cierre está presionada.

AVISO: RIESGOS DE DAÑO A LA PROPIEDAD. Rocíe solo cuando no haya viento ni brisa para evitar que el rociado del producto químico se desvíe hacia superficies no deseadas.

1. Coloque el botón de encendido (1) en la posición de ENCENDIDO para ENCENDER el pulverizador. Si el pulverizador no se ha utilizado recientemente, es posible que escuche un zumbido bajo y audible. Esto indica que la bomba se ha encendido y está acumulando presión en el sistema.
- NOTA:** Si el pulverizador se utilizó recientemente, y todavía tiene presión en el sistema, la bomba podría no encenderse hasta que se apriete la palanca de cierre (2).
2. Apunte la varilla en la dirección deseada de rociado y apriete la palanca de cierre (2).





3. Para un rociado continuo, apriete la palanca de cierre (2) y gire el sistema de bloqueo (3) en sentido horario para mantener la palanca de cierre (2) en la posición presionada.
4. Desbloquee, si es necesario, y libere la palanca de cierre (2) girando en sentido antihorario para detener el rociado.
5. Para apagar el pulverizador, coloque el botón de encendido en la posición de APAGADO (1).
6. Vacíe siempre los productos químicos del pulverizador y límpielo cuando termine. Ver las secciones *Limpeza* y *Almacenamiento* de este manual.

LIMPIEZA

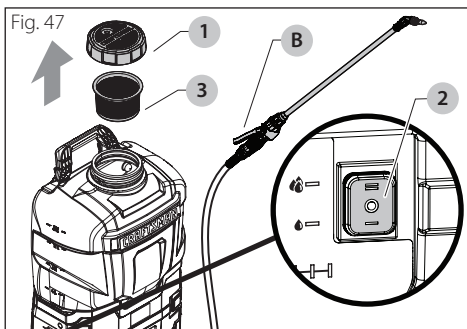
⚠ ADVERTENCIA: Libere siempre la presión del pulverizador antes de la limpieza. Desmontar un pulverizador que todavía está presurizado puede provocar la expulsión a alta velocidad de los componentes.

⚠ ADVERTENCIA: RIESGO DE LESIONES DEBIDO A LA EXPOSICIÓN A PRODUCTOS QUÍMICOS. Utilice el equipo de protección personal (EPP) adecuado según las recomendaciones del fabricante del producto químico y/o consulte la hoja de datos de seguridad (SDS) del producto químico que se utilizará. Esto incluye al menos gafas, guantes y ropa de protección.

⚠ ADVERTENCIA: RIESGO DE DAÑO A LOS COMPONENTES INTERNOS. Si el pulverizador no se enjuaga adecuadamente, se pueden acumular residuos químicos que pueden obstruir o dañar los filtros, la bomba, el cierre, la varilla y la boquilla. La acumulación de residuos químicos también puede contaminar las aplicaciones posteriores. Dejar líquidos químicos en el pulverizador cuando no se usa puede dar lugar a un desgaste prematuro del mismo. No almacene nunca el pulverizador con productos químicos en ninguna parte del mismo.

1. Asegúrese de que el pulverizador esté apagado y quite la batería conforme a la sección *Retirar la batería*.
2. Retire la tapa (1) y vierta cualquier producto químico que quede en el tanque en un recipiente adecuado para su uso posterior o deséchelo de acuerdo con las instrucciones del fabricante del producto químico.
3. Use agua limpia para enjuagar y vacíe el tanque hasta eliminar todos los productos químicos y residuos.
4. Añada aproximadamente 1 cuarto (1 litro) de agua limpia al tanque.
5. Inserte la batería según las instrucciones de la sección *Instalación de la batería* y presione el botón de encendido (2) para encender el pulverizador.

6. Descargue agua a través de la bomba, la manguera, el cierre, la varilla y la boquilla durante al menos 30 segundos para enjuagarlos. No enjuagar estos componentes puede permitir la acumulación de residuos químicos que pueden obstruir o dañar los componentes. Después de un uso intenso, enjuagar las boquillas puede no ser suficiente para eliminar los residuos. Puede ser necesario poner en remojo o limpiar las boquillas con un cepillo pequeño.
7. Vacíe el agua restante del tanque y continúe rociando hasta que ya no salga agua de la boquilla. Esto indica que se ha eliminado la mayor parte de agua del sistema.
8. Ponga el botón de encendido (2) en la posición de APAGADO para apagar el pulverizador y a continuación retire la batería.
9. Apriete la palanca de cierre (B) para liberar cualquier presión restante en la manguera.
10. Permita que el pulverizador se seque. La mejor manera de hacerlo es quitar la tapa (1) y la cesta del filtro (3) y colgar el pulverizador al revés para que se vacíe.
11. Una vez que el pulverizador se haya secado, ponga el pulverizador en posición vertical y vuelva a colocar la cesta del filtro (3) y la tapa (1) para evitar que entre suciedad en el tanque.



Limpeza de la batería

Elimine la suciedad y la grasa del exterior de la batería con un paño o un cepillo suave no metálico. No use agua ni ninguna solución de limpieza.

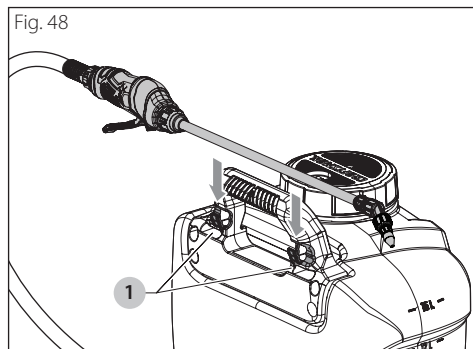
⚠ ADVERTENCIA: Peligro de quemaduras. No sumerja la batería en ningún líquido ni permita que ningún líquido entre en la batería. No intente abrir nunca la batería por ninguna razón. Si la carcasa de plástico de las baterías se rompe o agrieta, devuélvala a un centro de servicio para su reciclaje.

Instrucciones de limpieza del cargador

⚠ ADVERTENCIA: Riesgo de descarga. Desconecte el cargador de la toma de corriente antes de limpiarlo. La suciedad y la grasa pueden eliminarse del exterior del cargador con un paño o un cepillo suave no metálico. No use agua ni ninguna solución de limpieza.

ALMACENAMIENTO HORIZONTAL DE LA VARILLA

Hay ganchos para almacenamiento horizontal de la varilla (1) debajo del mango de la mochila.



ALMACENAMIENTO

Guarde el pulverizador y la batería en un lugar cálido y seco, fuera de la luz directa del sol y lejos de cualquier fuente de humedad o calor intenso. No guarde el pulverizador en donde se produzcan temperaturas de congelación (por debajo de 32 °F / 0 °C). Permitir que el agua se congele dentro del pulverizador puede causar daños en la bomba, a las juntas, al cierre o a otros componentes, y anular la garantía.

TRANSPORTE

⚠️ ADVERTENCIA: PELIGRO DE INCENDIO. No almacene, lleve o transporte la batería de manera que objetos metálicos puedan entrar en contacto con los terminales expuestos de la misma. Por ejemplo, no coloque la batería en delantales, bolsillos, cajas de herramientas, cajas de productos, cajones, etc., con clavos sueltos, tornillos, llaves, monedas, herramientas de mano, etc. Cuando transporte baterías individuales, asegúrese de que los terminales de las mismas estén protegidos y bien aislados de materiales que puedan entrar en contacto con ellos y causar un cortocircuito.

NOTA: Las baterías de iones de litio no deben colocarse en el equipaje facturado de los aviones y deben protegerse adecuadamente contra los cortocircuitos si están en el equipaje de mano.

MANTENIMIENTO

⚠️ ADVERTENCIA: Para reducir el riesgo de lesiones graves, apague la unidad y quite la batería antes de realizar cualquier ajuste o de retirar o instalar accesorios. Una puesta en marcha accidental puede causar lesiones.

⚠️ ADVERTENCIA: RIESGO DE LESIONES Y/O DAÑOS A LA PROPIEDAD DEBIDO A LA EXPOSICIÓN A PRODUCTOS QUÍMICOS. Asegúrese siempre de que se hayan eliminado todos los productos químicos del pulverizador y que este se haya limpiado antes de realizar cualquier mantenimiento.

⚠️ ADVERTENCIA: Desconecte la batería del pulverizador antes de hacer cualquier ajuste, cambiar los accesorios o guardar el pulverizador. Estas medidas preventivas reducen el riesgo de que el pulverizador se ponga en marcha accidentalmente.

⚠️ ADVERTENCIA: RIESGO DE LESIONES. Siempre libere la presión del pulverizador antes de realizar cualquier mantenimiento. Desmontar un pulverizador que todavía está presurizado puede provocar la expulsión a alta velocidad de los componentes. Asegúrese de que el pulverizador esté apagado y apriete la palanca de cierre hasta que se libere toda la presión.

Reparaciones

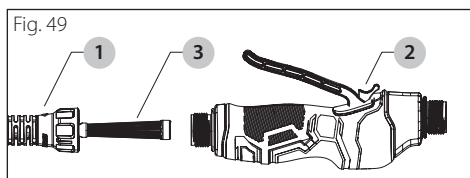
El cargador y la batería no pueden repararse.

⚠️ ADVERTENCIA: Para garantizar la SEGURIDAD y FIABILIDAD del producto, (las reparaciones, el mantenimiento y el ajuste (incluida la inspección y el reemplazo de las escobillas, cuando corresponda) deben realizarse por un centro de servicio de fábrica CRAFTSMAN o un centro de servicio autorizado CRAFTSMAN. Siempre use repuestos idénticos.

Mantenimiento del conjunto de cierre

⚠️ ADVERTENCIA: Antes de realizar el mantenimiento, despresurice siempre el pulverizador apagándolo y apretando la palanca de cierre para pulverizar hasta que el flujo de líquido se detenga.

1. Desatornille la tuerca de la manguera (1) del conjunto de cierre (2).
2. Retire la manguera con el filtro adjunto (3) del conjunto de cierre (2).
3. Limpie todos los restos de suciedad del interior del conjunto de cierre (2) o del filtro (3) enjuagándolo con agua fría y limpia.
4. Vuelva a montar los componentes como se muestra y apriete bien todas las conexiones.



Mantenimiento de la boquilla

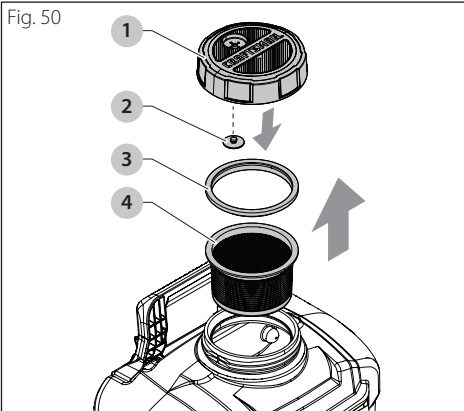
⚠️ ADVERTENCIA: Antes de realizar el mantenimiento, despresurice siempre el pulverizador asegurándose de que esté apagado y luego presione la palanca de cierre para pulverizar hasta que el flujo de líquido se detenga.

- Si una boquilla se obstruye, retire y desmonte el conjunto de la boquilla.
- Limpie las aberturas de cualquier obstrucción o residuo.
- No utilice herramientas afiladas que puedan rayar o dañar las boquillas, ya que el patrón de pulverización podría verse afectado.

- No golpee la boquilla contra superficies para desatorarla.

Mantenimiento de la cesta del filtro y de la tapa

- Revise la válvula antirretorno (2) en la tapa (1) y la junta de la cesta del filtro (3) en la cesta del filtro (4) para asegurarse de que no muestren signos de desgaste y funcionen correctamente.
- Reemplácelas según sea necesario.



Mantenimiento del filtro del tanque

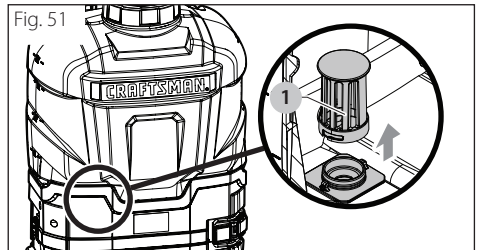
⚠ PRECAUCIÓN: RIESGO DE DAÑO A LOS COMPONENTES INTERNOS. No opere el pulverizador sin el filtro del tanque instalado correctamente. Hacerlo podría permitir que entren residuos en la bomba y obstruir o dañar la bomba.

1. Asegúrese de que el pulverizador esté apagado y quite la batería según las instrucciones en *Retirar la batería*.
2. Retire la tapa y la cesta del filtro. Enjuague con agua limpia para eliminar cualquier residuo.
3. Coloque la cesta del filtro y la tapa sobre una superficie limpia en la que no se acumule suciedad, polvo, grasa, recortes de hierba u otros desechos.
4. Vierta el líquido del tanque en un recipiente apropiado para su uso posterior o deséchelo apropiadamente de acuerdo con las instrucciones del fabricante del producto químico.
5. Enjuague y vacíe el tanque para eliminar cualquier rastro de suciedad, restos o residuos.
6. Introduzca la mano en el tanque y agarre con cuidado el filtro del tanque (1) ubicado en el fondo de este.

7. Gire el filtro del tanque aproximadamente 1/8 de vuelta en sentido antihorario hasta que no gire más y tire para sacarlo del tanque.
8. Limpie el filtro del tanque cuidadosamente enjuagándolo de dentro hacia fuera. Asegúrese de no rasgar ni dañar la malla. Cualquier daño a la malla podría permitir que entren residuos en la bomba y obstruir o dañar la bomba.

NOTA: Si el filtro del tanque está dañado o demasiado sucio para poder limpiarlo, reemplácelo por uno nuevo.

9. Para volver a instalar el filtro del tanque, colóquelo suavemente en el fondo del tanque y gírelo lentamente hasta que las pestañas de bloqueo en la base del filtro estén alineadas con las ranuras de este. El filtro del tanque caerá hacia abajo aproximadamente 1/8 de pulgada cuando esto suceda.
10. Empuje hacia abajo el filtro del tanque hasta el tope, aproximadamente otro 1/4 de pulgada; a continuación, gire el filtro del tanque 1/8 de vuelta en sentido horario hasta el tope.



Registro en línea

Gracias por su compra. Registre su producto ahora para:

- **SERVICIO DE GARANTÍA:** El registro de su producto le ayudará a obtener un servicio de garantía más eficiente en caso de que haya un problema con su producto.
- **CONFIRMACIÓN DE PROPIEDAD:** En caso de una pérdida reclamable al seguro debida a causas como incendio, inundación o robo, su registro de propiedad servirá como comprobante de compra.
- **PARA SU SEGURIDAD:** El registro de su producto nos permitirá comunicarnos con usted en el caso poco probable de que se requiera una notificación de seguridad según la Ley Federal de Seguridad del Consumidor.

Regístrese en línea en www.craftsman.com/register.

TABLA DE CAUDAL DE LAS BOQUILLAS

AVISO: RIESGOS DE DAÑO A LA PROPIEDAD. Siempre cambie el control a bajo cuando coloque una boquilla de bajo caudal.

AVISO: RIESGOS DE DAÑO A LA PROPIEDAD. No cumplir con las recomendaciones de la Tabla de caudal de las boquillas podría dañar la bomba y anular la garantía.

Boquillas incluidas con el producto

Boquilla	Configuración del interruptor de potencia			
	Bajo		Alto	
	Caudal (gpm)	Presión (psi)	Caudal (gpm)	Presión (psi)
Espuma (negra)	0.21	27	0.29	51
Abanico estrecho de bajo volumen (amarilla)	0.22	20	0.32	42
Abanico ancho de bajo volumen (roja)	0.23	19	0.33	39
Poly ajustable (chorro recto)	0.26	10	0.39	24
Poly ajustable (cono completo)	0.17	42	Non recommandé, car pourrait faire trop travailler et endommager la pompe lors d'une utilisation fréquente.	

NOTA: Todos los valores representan rociado con agua o productos líquidos de viscosidad similar.

RESOLUCIÓN DE PROBLEMAS

PROBLEMA	CAUSA	SOLUCIÓN
El pulverizador no se enciende (no hay un zumbido audible de la bomba).	Asegúrese de que la batería esté instalada correctamente.	Instale la batería correctamente. Ver <i>Instalación de la batería</i> .
	Asegúrese de que la batería esté cargada.	Cargue la batería. Ver <i>Carga de la batería</i> .
	La batería puede estar dañada o puede haberse sobrecalentado. Inspeccione visualmente la batería en busca de daños.	Reemplace la batería si se encuentra dañada o no funciona. Si la batería se sobrecalienta, deje que se enfríe.
	La manguera está presurizada. La bomba se apagó automáticamente.	Apriete la palanca de cierre para ver si el pulverizador se inicia y la bomba se enciende.
El pulverizador se enciende (la cabeza de la bomba emite un zumbido), pero no pulveriza.	No hay líquido en el tanque.	Añada líquido al tanque. Ver <i>Llenado del pulverizador</i> .
	La palanca de cierre está obstruida.	Limpie la palanca de cierre. Consulte <i>Mantenimiento del conjunto de cierre</i> .
	La boquilla está obstruida.	Limpie la boquilla. Consulte <i>Mantenimiento de la boquilla</i> .
El pulverizador se enciende, pero solo pulveriza a baja presión.	La bomba no está cebada.	Deje por lo menos 30 segundos para que la bomba se cebe.
	La palanca de cierre está obstruida.	Limpie la palanca de cierre. Consulte <i>Mantenimiento del conjunto de cierre</i> .
	La boquilla está obstruida.	Limpie la boquilla. Consulte <i>Mantenimiento de la boquilla</i> .
La bomba no se ceba completamente.	La bomba no está cebada.	Deje por lo menos 30 segundos para que la bomba se cebe.
	El nivel de líquido en el tanque es bajo.	Añada líquido al tanque. Ver <i>Llenado del pulverizador</i> .
	La bomba funcionó en seco (sin líquido) antes de que se rellenara el tanque.	Asegúrese de que el pulverizador esté apagado y apriete la palanca de cierre hasta que se libere toda la presión.
	Hay residuo químico o acumulación en el tanque y/o la bomba debido a una limpieza insuficiente o inadecuada.	Limpie el pulverizador. Consulte <i>Limpieza</i> . Si es necesario, repita con agua caliente y una mezcla de detergente suave. Permita que la mezcla permanezca en la bomba por hasta 1 hora antes de enjuagar. Reemplace la bomba si es necesario.
La manguera tiene una fuga en la conexión al tanque.	El filtro del tanque está instalado incorrectamente, no está instalado o está dañado, lo que permite que entre suciedad en la bomba.	Limpie el pulverizador. Consulte <i>Limpieza</i> . Si es necesario, repita con agua caliente y una mezcla de detergente suave. Permita que la mezcla permanezca en la bomba por hasta 1 hora antes de enjuagar. Reemplace la bomba si es necesario.
	La manguera está agrietada, hinchada o es defectuosa.	Reemplace el conjunto de cierre.
	La conexión está dañada.	Reemplace el conjunto de cierre.

PROBLEMA	CAUSA	SOLUCIÓN
La manguera tiene fuga en el conjunto de cierre.	La manguera está agrietada, hinchada o es defectuosa.	Reemplace el conjunto de cierre.
	La conexión está dañada.	Reemplace el conjunto de cierre.
La boquilla gotea cuando se suelta la palanca de cierre.	Hay suciedad o desechos en la palanca de cierre.	Limpie el conjunto de cierre.
	Hay una junta tórica o sello dañados en el conjunto de cierre.	Reemplace el conjunto de cierre.
La punta de la boquilla gotea.	La junta plana no está instalada.	Instale la junta plana detrás de la punta de la boquilla. Consulte <i>Ensamblaje</i> .
	La junta plana está dañada.	Reemplace la junta plana.
El patrón de pulverización es deficiente.	La boquilla está parcialmente obstruida.	Limpie la boquilla. Consulte <i>Limpieza</i> .
	La boquilla está dañada.	Reemplace la boquilla.
La unidad se apaga abruptamente.	La batería ha alcanzado su límite térmico máximo.	Deje que la batería se enfríe.
	La batería está descargada. Para maximizar la vida de la batería, está diseñada para apagarse abruptamente cuando se agota la carga.	Ponga la batería en el cargador y deje que se cargue.
La batería no se carga.	La batería no está insertada en el cargador.	Inserte la batería en el cargador hasta que se encienda la luz roja (cargando).
	El cargador no está enchufado.	Enchufe el cargador en una toma de corriente que funcione.
	La temperatura ambiente es muy alta o muy baja.	Mueva la batería a un lugar con una temperatura ambiente superior a 40 °F (4.5 °C) o inferior a 104 °F (40 °C).
La batería no se cargará.	No se encienden luces en el cargador (no enchufado al tomacorriente).	Conecte el cargador al tomacorriente.
	No se encienden las luces en el cargador (enchufado al tomacorriente).	Verifique que el tomacorriente funcione.
	No se encienden las luces en el cargador (enchufado a un tomacorriente que funciona).	Reemplace el cargador.
	No se encienden las luces en el cargador (enchufado a una toma de corriente que funciona, batería nueva/que funciona insertada en el cargador).	Reemplace la batería.
	La luz verde parpadea en el cargador, pero también se enciende una luz indicadora roja (la temperatura de la batería es demasiado alta para una carga segura).	Deje que la batería se enfríe.

THIS PAGE INTENTIONALLY LEFT BLANK
ESTA PÁGINA SE HA DEJADO EN BLANCO INTENCIONALMENTE
CETTE PAGE A INTENTIONNELLEMENT ÉTÉ LAISSÉE EN BLANC

Garantía limitada de 3 años

CRAFTSMAN reparará o reemplazará, sin cargo, cualquier defecto debido a materiales o mano de obra defectuosos por tres años desde la fecha de compra (dos años para las baterías). Esta garantía no cubre falla de partes debido al desgaste normal o abuso de la herramienta. Para detalles adicionales de la cobertura de la garantía e información de reparación de garantía, visite www.craftsman.com o llame al **1-888-331-4569**. Esta garantía no se aplica a accesorios o daño causado cuando otros hayan realizado o intentado reparaciones. ESTA GARANTÍA LIMITADA SE OTORGA EN LUGAR DE TODAS LAS DEMÁS, INCLUIDA LA GARANTÍA IMPLÍCITA DE COMERCIABILIDAD E IDONEIDAD PARA UN PROPÓSITO EN PARTICULAR, Y EXLUYE TODOS LOS DAÑOS INCIDENTALES O EN CONSECUENCIA. Algunos estados no permiten limitaciones sobre la duración de una garantía implícita o la exclusión o limitación de daños incidentales o en consecuencia, por lo que estas limitaciones pueden no aplicarse en su caso. Esta garantía le da derechos legales específicos y puede tener otros derechos que varían en ciertos estados o provincias.

Fabricado bajo licencia y distribuido por:

The Fountainhead Group, Inc.
23 Garden Street
New York Mills, NY 13417 U.S.A.

Teléfono: (315) 736-0037
Correo electrónico: Info@TheFGI.com
www.TheFountainheadGroup.com

Garantía de las baterías y cargadores

2 AÑOS DE SERVICIO GRATUITO EN LAS BATERÍAS CRAFTSMAN

CMCB201, CMCB2011

3 AÑOS DE SERVICIO GRATUITO EN LAS BATERÍAS CRAFTSMAN

CMCB202, CMCB204, CMCB206, CMCB209

NOTA: *La garantía del producto quedará nula si la unidad de batería ha sido alterada de cualquier manera. CRAFTSMAN no es responsable de ninguna lesión causada por alteraciones y podría iniciar un procedimiento judicial por fraude de garantía hasta el máximo grado permisible por la ley.*

GARANTÍA DE DEVOLUCIÓN DE DINERO DE 90 DÍAS

Si no está completamente satisfecho con el rendimiento de su herramienta eléctrica, láser o clavadora CRAFTSMAN por cualquier motivo, puede devolverla en un plazo de 90 días a partir de la fecha de compra, junto con un recibo, para obtener un reembolso completo, sin preguntas.

REEMPLAZO GRATUITO DE LA ETIQUETA DE

ADVERTENCIA: Si sus etiquetas de advertencia se vuelven ilegibles o faltan, llame al **1-888-331-4569** para obtener un reemplazo gratuito.

CRAFTSMAN BATTERY AND CHARGER SYSTEMS

Chargers . Chargeurs . Cargadores de baterías

Battery Cat #	Output Voltage	Charger		
		CMCB100	CMCB102	CMCB104
CMCB201	20	C	C	C
CMCB2011	20	C	C	C
CMCB202	20	C	C	C
CMCB204	20	C	C	C
CMCB206	20	C	C	C
CMCB209	20	C	C	C



WARNING: Use only CRAFTSMAN 20 Volt batteries with this product. Use of any other batteries may create the risk of fire.



AVERTISSEMENT : utilisez seulement des piles 20 V CRAFTSMAN avec ce produit. Utiliser toute autre pile peut créer un risque d'incendie.



ADVERTENCIA: Utilice sólo baterías CRAFTSMAN 20 V con este producto. El uso de cualquiera otrabatería puede crear un riesgo de incendio.

"C" Indicates that the battery pack is compatible with that specific charger. Read the instruction manual for more specific information.

"C" indique que le bloc-piles est compatible avec ce chargeur. Lire le manuel d'utilisation pour obtenir des renseignements plus précis.

Una "C" indica que el paquete de baterías es compatible con ese determinado cargador. Lea el manual de instrucciones para obtener información más precisa.

* Maximum initial battery voltage (measured without a workload) is 20 volts. Nominal voltage is 18.

* La tension initiale maximum du bloc-piles (mesurée à vide) est de 20 volts. La tension nominale est de 18.

* El máximo voltaje inicial de la batería (medido sin carga de trabajo) es 20 voltios. El voltaje nominal es de 18.09/09/20